

BELLA CAT TUNNEL

ASSEMBLY GUIDE



Welcome!

Congratulations on becoming an owner of a premium Somerzby product! We hope it brings you and your pet/s many years of enjoyment and contentment.

When your flat pack arrives, please check all items for any damage that might have occurred in transit.



02 4340 4200

info@somerby.com.au

What you will need





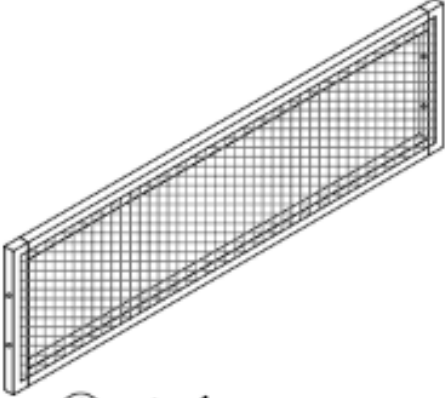
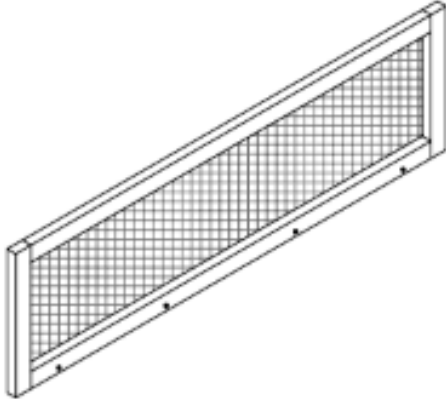
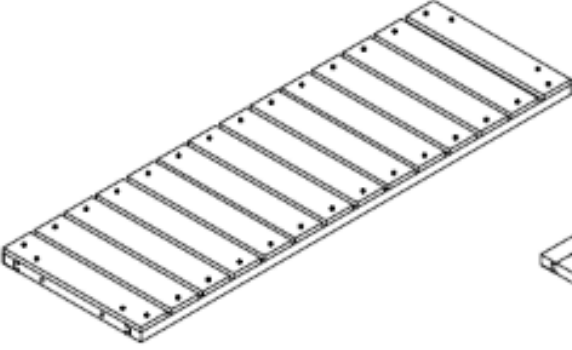
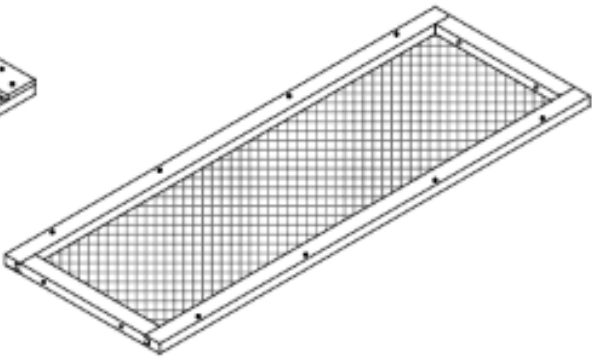
You'll need a battery-powered screwdriver or drill with a Phillips head bit, as well as a flat, level surface to ensure proper alignment of all doors during assembly.

Important Things To Note



1. The instructions and screws can be found in carton #1.
2. A strong smell may be present when opening. This is the natural timber scent and is not harmful to humans or animals. It will fade over time, especially when placed outdoors.
3. When joining two panels, the 1st panel has a guide hole to show where the screw goes. The 2nd panel does not have a predrilled hole. The screw goes directly into the solid timber and forms a tighter join.
4. You may notice a shiny or powdery residue on the panels; this is crystallised sap from the natural wood-drying process. It's completely safe for pets and people and can be wiped off or left as is.

Check list

P1	 6×80mm	6pcs+1 spare
P2	 3.5×40mm	16pcs+1 spare
<div style="display: flex; justify-content: space-around; align-items: flex-start;"> <div style="text-align: center;">  <p>Ⓐ X1 (bolt holes)</p> </div> <div style="text-align: center;">  <p>Ⓑ X1</p> </div> </div> <div style="display: flex; justify-content: space-around; align-items: flex-start; margin-top: 20px;"> <div style="text-align: center;">  <p>Ⓒ X1</p> </div> <div style="text-align: center;">  <p>Ⓓ X1</p> </div> </div>		

How to Assemble the Bella Tunnel Step I

PARTS

Parts required for step 1

A, B, C

Screws:

P2 x 8

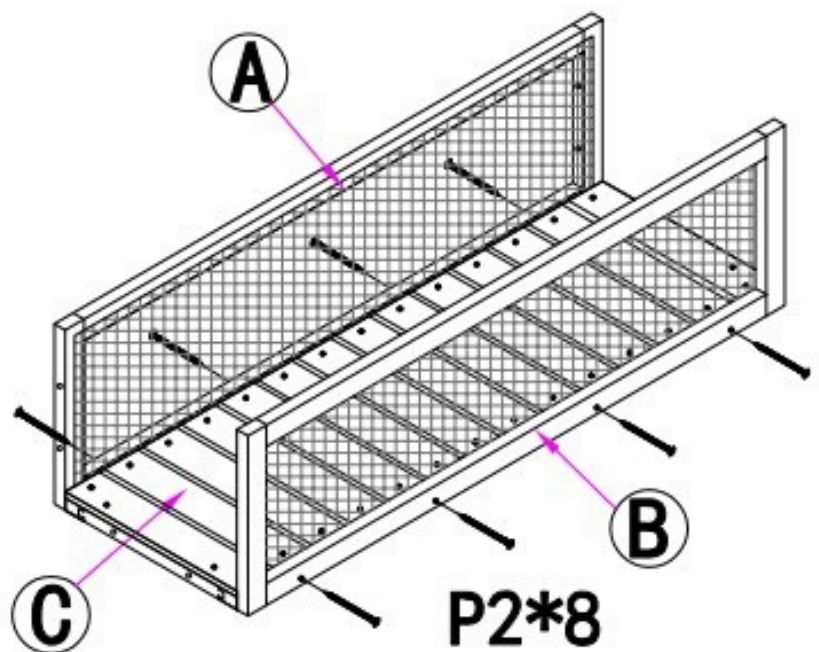
Assemble The Sides

Place Part C flat on the ground with the thicker slat side facing upward.

Align part A along the outer edge of Part C as shown, making sure the stapled wire side is facing inward.

Locate the pre-drilled holes on panel A and attach to C with P2 x 4.

Repeat with panel B.



STEP1

How to Assemble the Bella Tunnel Step 2

PARTS

Parts required for step 2

D

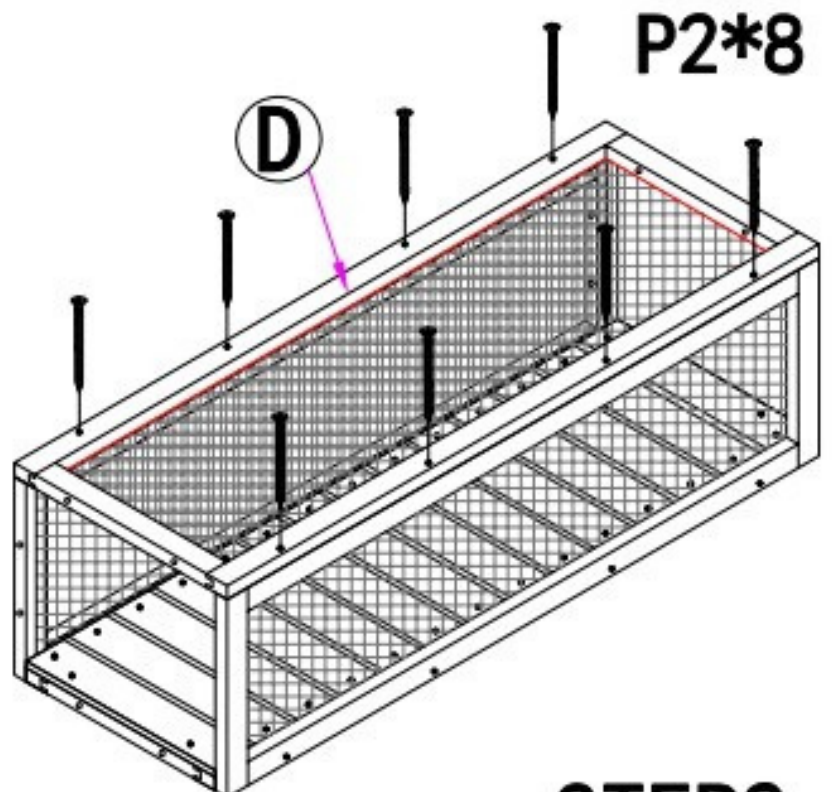
Screws:

P2 x 8

Assemble The Top

Place part D evenly on top as shown, ensuring the stapled wire side faces down.

Locate the pre-drilled holes and use screws P2 x 8 to attach.



STEP2

How to Assemble the Bella Tunnel Step 3

PARTS

Parts required for step 3

Assembled Tunnel, Assembled Corner

Screws:

P1 x 4

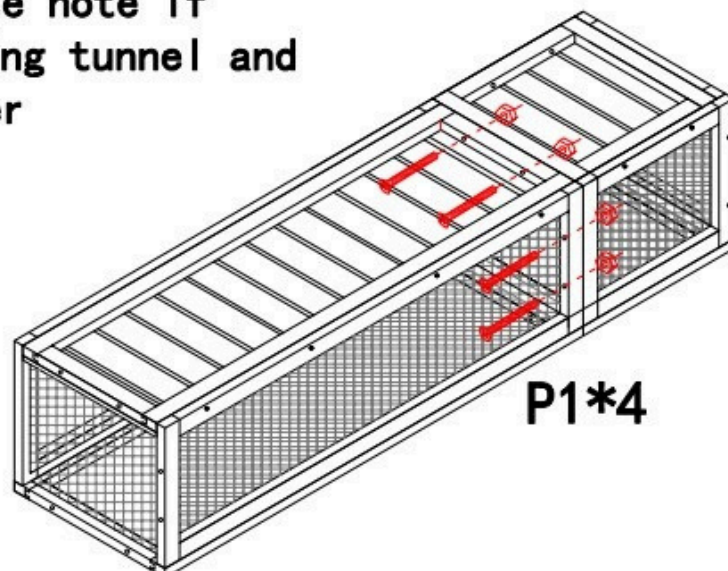
Attach Tunnel To Corner Section- Note: This step is only necessary when adding a corner section to a tunnel.

Turn the tunnel over, so the timber walkway is on top.

Align the corner section as shown, so the pre-drilled holes line up.

Use nut and bolt P1 x 4 to attach through the pre-drilled holes as shown.

please note if
joining tunnel and
corner



Underneath

P1*4

STEP3

How to Assemble the Bella Tunnel Step Finish

PARTS

Parts required for step FINISH

Assembled Tunnel & Corner

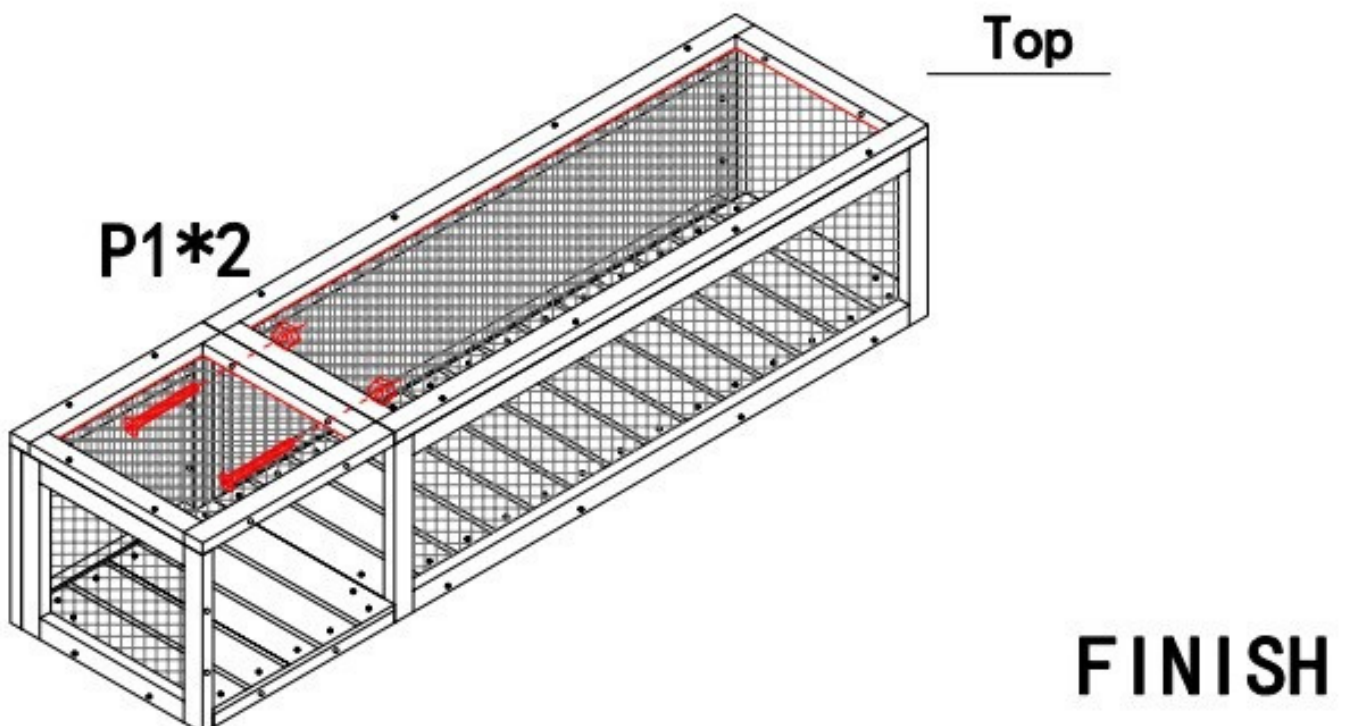
Screws:

P1 x 2

Attach Final Screws

Turn the tunnel over, so the timber walkway is on the ground.

Use nut and bolts P1 x 2 to attach the top of the tunnel and corner through the pre-drilled holes.



Product Dimensions



Tunnel runway: L1000mm x W360mm x H310mm





FAQ

Frequently asked questions

Contact Information

Phone: 02 4340 4200

Email: info@somerzby.com.au

Customer Service Office Hours

Monday – Thursday: 9:00am – 4:30pm

Friday: 9:00am – 4:00pm

Saturday & Sunday: Closed

Public holidays: Closed

www.somerzby.com.au

#somerzby

