

BRIDGE & SHELF SET

ASSEMBLY GUIDE



Welcome!

Congratulations on becoming an owner of a premium Somerzby product! We hope it brings you and your pet/s many years of enjoyment and contentment.

When your flat pack arrives, please check all items for any damage that might have occurred in transit.



02 4340 4200

info@somerby.com.au

What you will need











You'll need a battery-powered screwdriver or drill with a Phillips head bit, as well as a flat, level surface to ensure proper alignment of all doors during assembly.

Important Things To Note



1. The instructions and screws can be found in carton #1.
2. When joining two panels, the 1st panel has a guide hole to show where the screw goes. The 2nd panel does not have a predrilled hole. The screw goes directly into the solid timber and forms a tighter join.
3. You may notice a shiny or powdery residue on the panels; this is crystallised sap from the natural wood-drying process. It's completely safe for pets and people and can be wiped off or left as is.

Check list

P1	 3.5 × 60mm	8pcs+1 spare	P2	 3.5 × 50mm	4pcs+1 spare
P3	 3.5 × 45mm	12pcs+1 spare	P4	 3.5 × 25mm	48pcs+1 spare
P5	 47mm	4pcs			
  					
(A) X2		(B) X4		(C) X1	

How to Assemble the Bridge & Shelf Set Step 1

PARTS

Parts required for step 1:

A x 2, B x 4

Screws:

P4 x 24, P3 x 8, P5 x 4

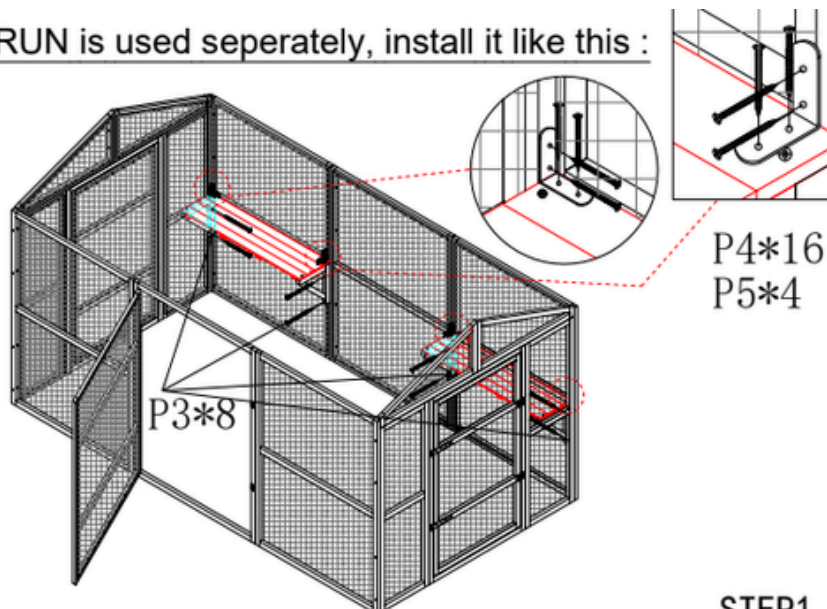
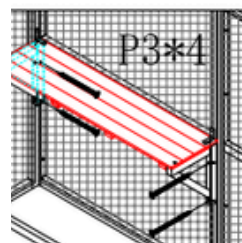
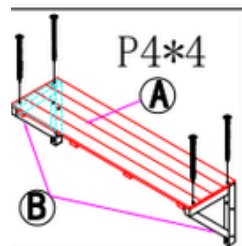
Assemble The Shelves:

Place 2 x bracket B underneath shelf panel A as shown. Locate the predrilled holes on top of panel A and use screws P4 x 4 to attach. Repeat with the other shelf A

Position the assembled shelf inside the run, aligning it with the timber beams of the run walls as shown. Locate the predrilled holes on the brackets and use screws P3 x 4 to attach. Repeat with the other shelf.

Finally, place metal brackets P5 at the corner where the shelf meets the timber beam. Secure each bracket to both the shelf and the timber beam using 16 x P4 screws.

When SDC08W-RUN is used seperately, install it like this :



How to Assemble the Bridge & Shelf Set Step 2

PARTS

Parts required for step 2

C

Screws:

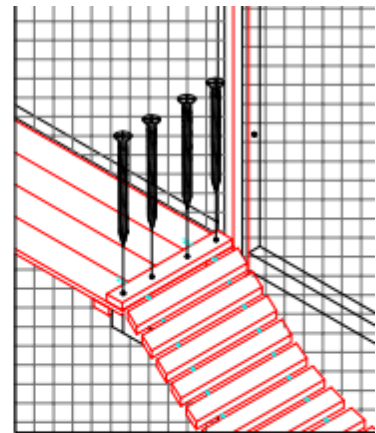
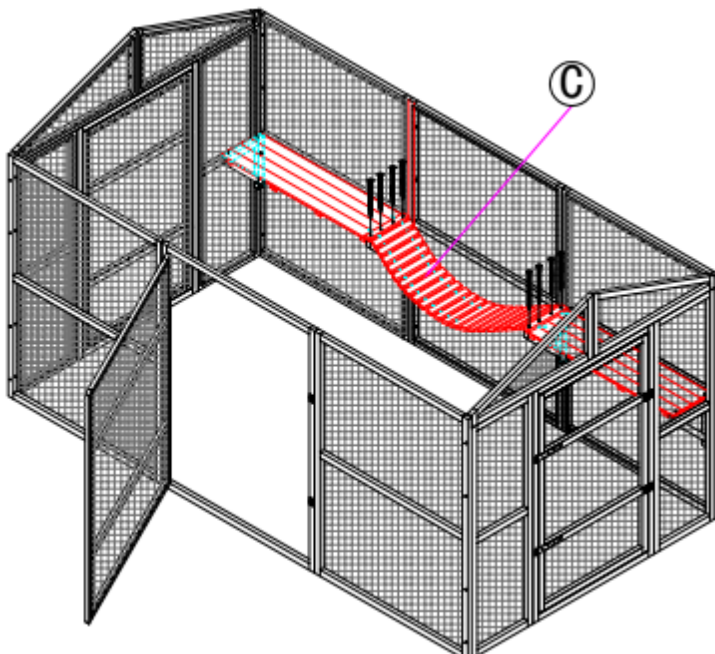
P4 x 8

Attach The Bridge:

Align the timber edge of bridge panel C to the edge of the shelf panel.

Ensure the wire side is facing down. Using the predrilled holes, use screws P4 x 4 to attach.

Repeat on the opposite side with the other shelf.



P4*8

FINISH



FAQ

Frequently asked questions

Contact Information

Phone: 02 4340 4200

Email: info@somerzby.com.au

Customer Service Office Hours

Monday – Thursday: 9:00am – 4:30pm

Friday: 9:00am – 4:00pm

Saturday & Sunday: Closed

Public holidays: Closed

www.somerzby.com.au

#somerzby

