

BUNGALOW

ASSEMBLY GUIDE



Welcome!

Congratulations on becoming an owner of a premium Somerzby product! We hope it brings you and your pet/s many years of enjoyment and contentment.

When your flat pack arrives, please check all items for any damage that might have occurred in transit.



02 4340 4200

info@somerby.com.au

What you will need



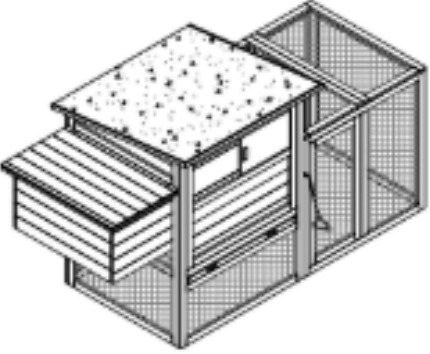
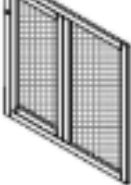
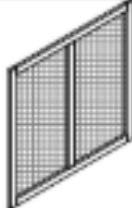
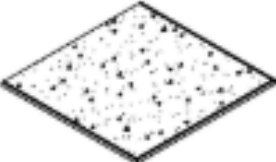
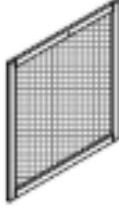
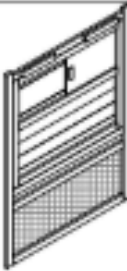

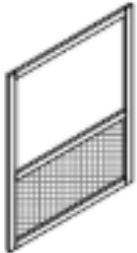




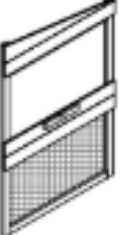



You'll need a battery-powered screwdriver or drill with a Phillips head bit, as well as a flat, level surface to ensure proper alignment of all doors during assembly.

Important Things To Note














1. The instructions and screws can be found in carton #1.
2. A strong smell may be present when opening. This is the natural timber scent and is not harmful to humans or animals. It will fade over time, especially when placed outdoors.
3. When joining two panels, the 1st panel has a guide hole to show where the screw goes. The 2nd panel does not have a predrilled hole. The screw goes directly into the solid timber and forms a tighter join.
4. You may notice a shiny or powdery residue on the panels; this is crystallised sap from the natural wood-drying process. It's completely safe for pets and people and can be wiped off or left as is.

Check list

			6		1pc
			7		1pc
1		1pc	8		1pc
2		1pc	9		1pc
3		1pc	10		1pc
			11		1pc
4		1pc	12		1pc
5		1pc	13		1pc
			14		1pc
			15		1pc

Check list- Continued

16		1pc	17		1pc
A	 3.5*50	4pcs	B	 3.5*40	4pcs
C	 3*30	22pcs	D	 3*16	14pcs
E	 3*10	4pcs	F		1pc
G		1pc	H		1pc
			I	 3*16	1pc

How to Assemble the Bungalow Step 1

PARTS

Parts required for step 1

2, 3, 4, 5, 15, 16, 17

Screws required for step 1

C x 10, D x 4, E x 2

Assemble The Housing Area-

Attach Panel 3 to 5: Align panel 3 with panel 5, ensuring the stapled side of the wire is on the inside. Locate the pre-drilled holes on panel 3. Use screws C x 3 to attach,

Attach Panel 2 to 5: Align panel 2 to 5 as shown. Locate the pre-drilled holes on panel 2. Use screws C x 3 to attach.

Attach Panel 4 to 3 and 2: Using the guide dowels, align panel 4 between panels 2 and 3. Locate the pre-drilled holes and use C x 4 to attach.

Attach The Ramp: Place the hinges of part 17 below the door of the house as shown. Use screws D x 4 to attach.

Slide In The Tray: Slide the tray part 15 in through the front opening, along the inside guide rails.

How to Assemble the Bungalow Step I- Continued

PARTS

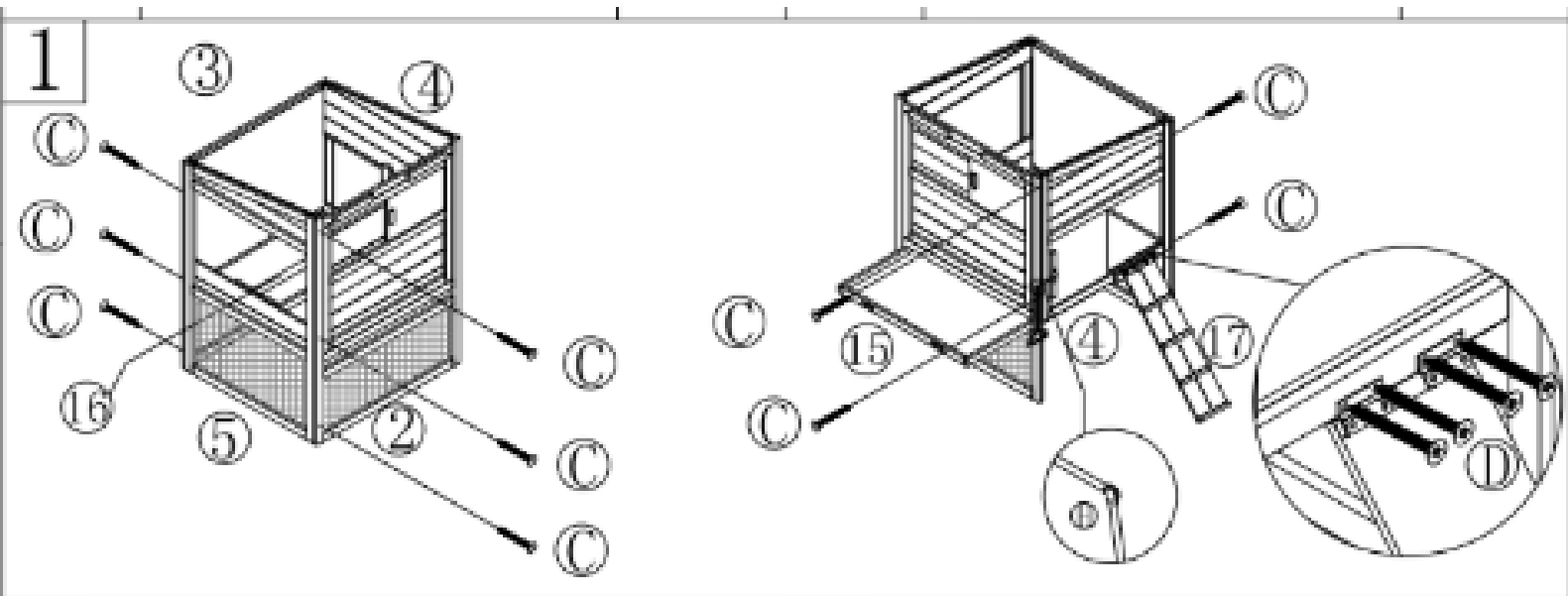
Parts required for step 1

2, 3, 4, 5, 15, 16, 17

Screws required for step 1

C x 10, D x 4, E x 2

Attach The Handle: Attach the bracket of part H half way up the sliding door as shown, using E x 2. Then join the two handle pieces together- a shifting spanner may be required.



How to Assemble the Bungalow Step 2

PARTS

Parts required for step 2

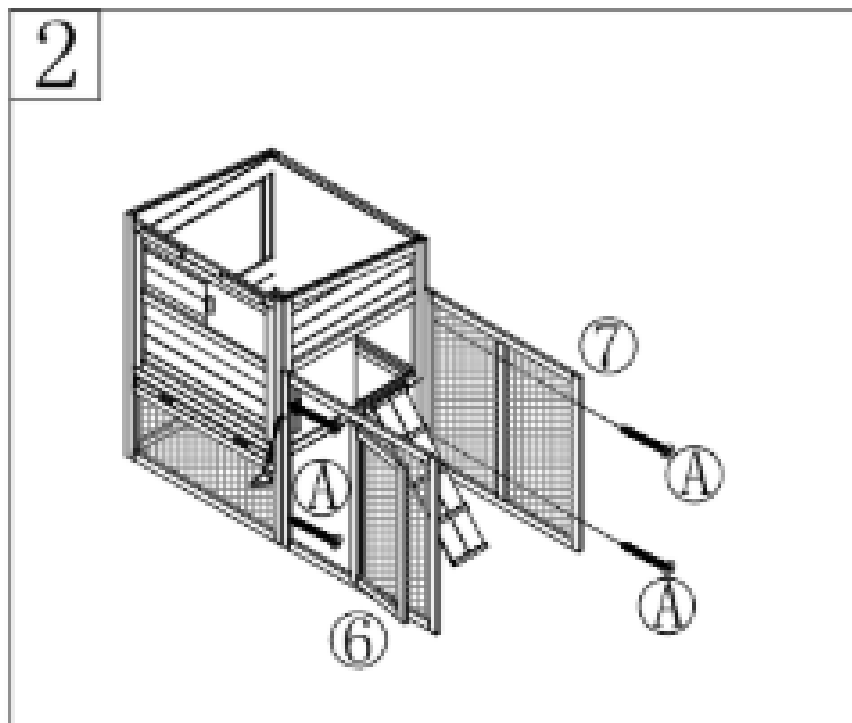
6, 7

Screws required for step 2

A X 4

Attach The Run: Align panel 6 next to the front of the house section as shown. Make sure the stapled wire side faces in. Open the door and locate the pre-drilled holes along the inner edge. Use Screws A x 2 to attach.

Next, locate the pre-drilled holes along the inner edge of panel 7. Align panel 7 to the back of the house as shown, with the stapled wire side facing in and the edge with the pre-drilled holes closest to the house. Use screws A x 2 to attach to the house.



How to Assemble the Bungalow Step 3

PARTS

Parts required for step 3

8

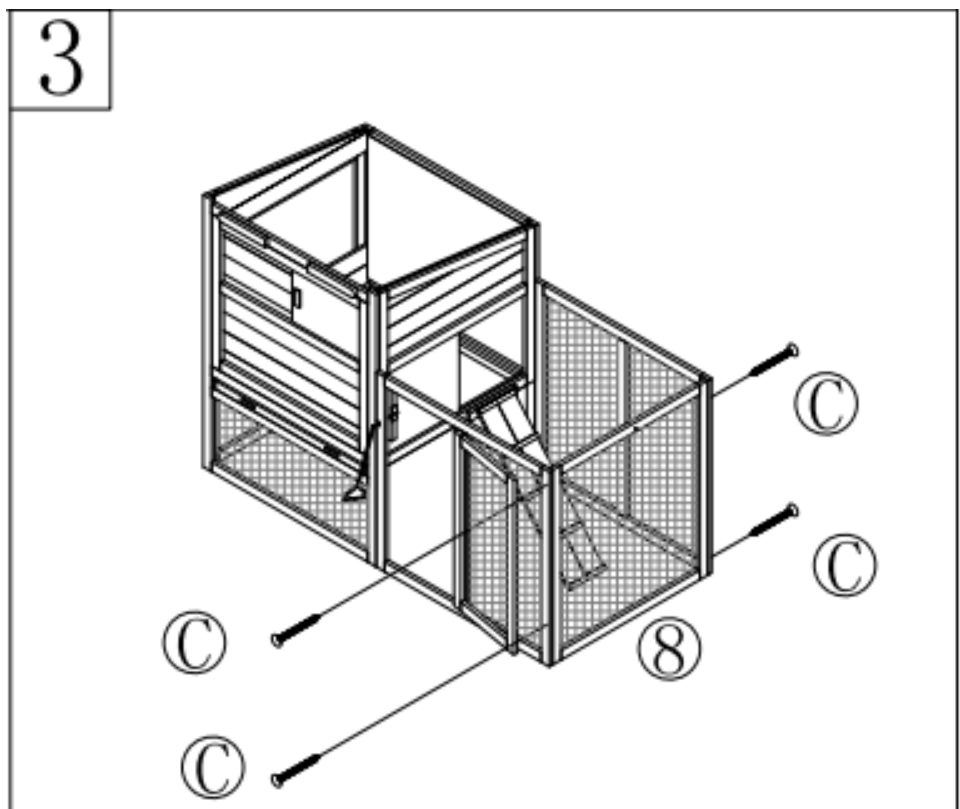
Screws required for step 3

C x 4

Attach The End Of The Run:

Align panel 8 between front and back panels 6 and 7, ensuring the stapled wire side faces in.

Locate the pre-drilled holes on panels 6 and 7, then use screws C x 4 to attach.



How to Assemble the Bungalow Step 4

PARTS

Parts required for step 4

9, 1

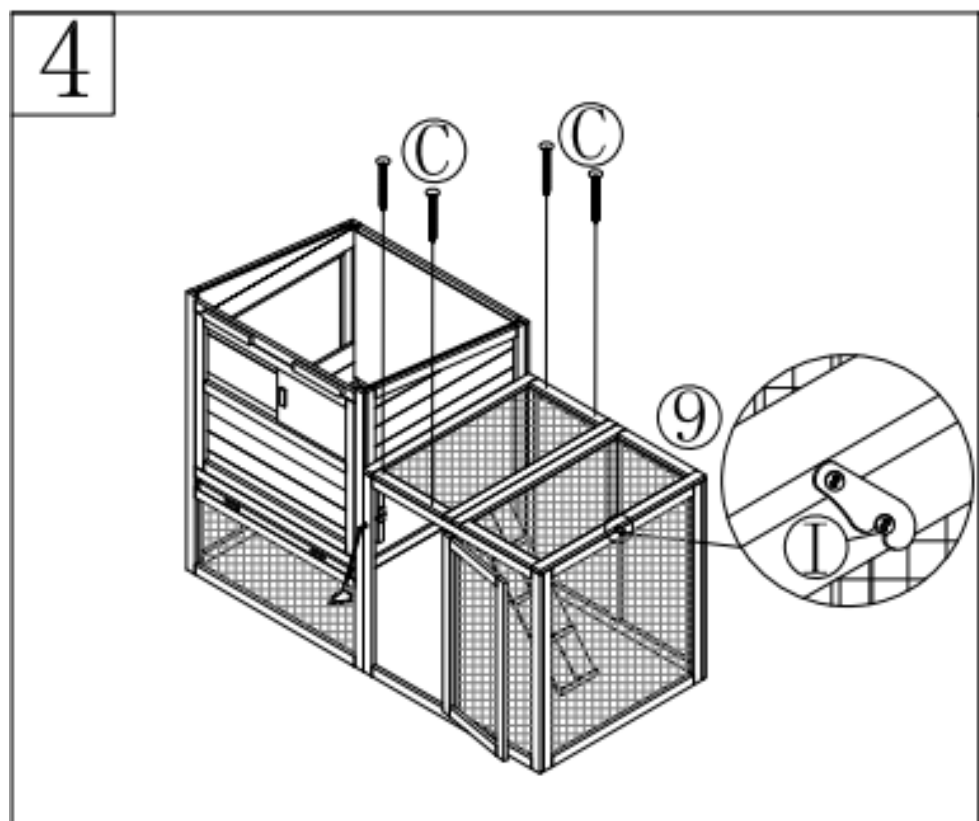
Screws required for step 4

C x 4

Attach The Top Of The Run:

Place part 9 on the top of the run area as shown. Ensure the stapled wire side faces down, and the edge with the latch sits furthest from the house.

Locate the pre-drilled holes and use screws C x 4 to attach.



How to Assemble the Bungalow Step 5

PARTS

Parts required for step 5

1

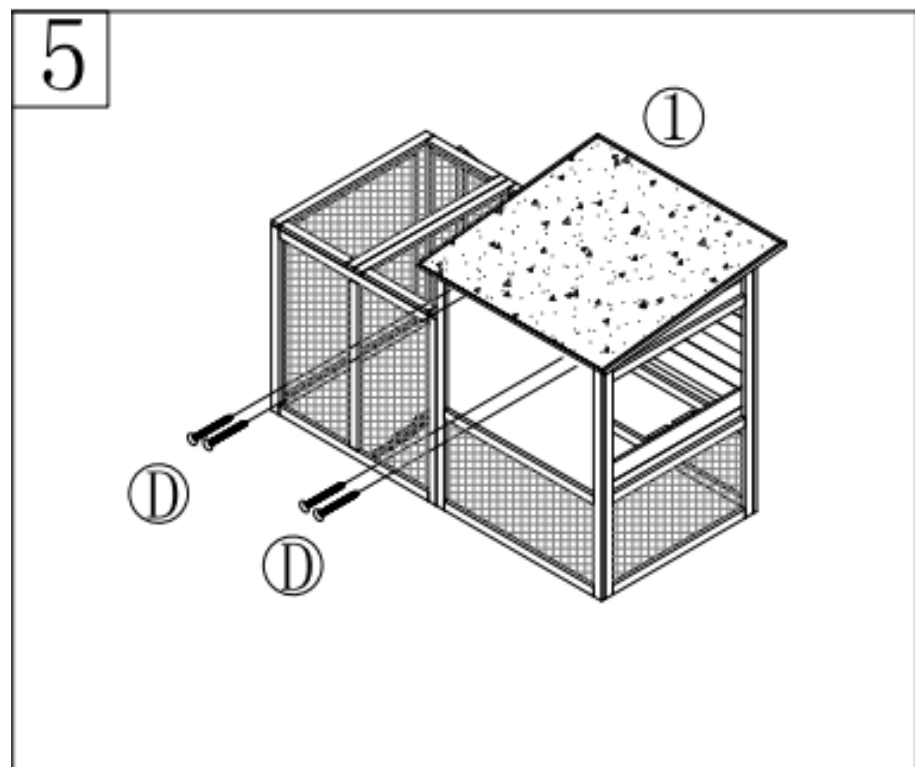
Screws required for step 5

D X 4

Attach The Roof Of The House:

Place part I, the roof, evenly over the house section, ensuring the latches are at the back.

Use screws D x 4 to secure to the back of the house.



How to Assemble the Bungalow Step 6

PARTS

Parts required for step 6

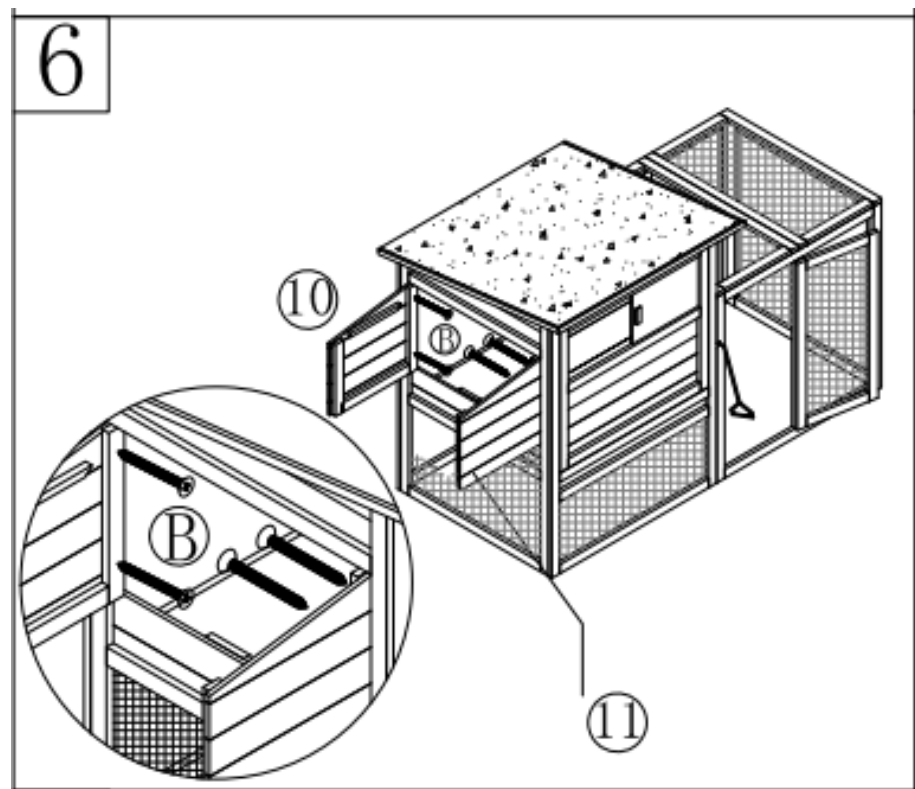
10, 11

Screws required for step 6

B X 4

Attach The Rest Box Sides: Place panel 10 into the rest box opening as shown, ensuring the ledge faces in and the highest point is against the house. Locate the pre-drilled holes and use screws B x 2 to attach.

Repeat with part 11.



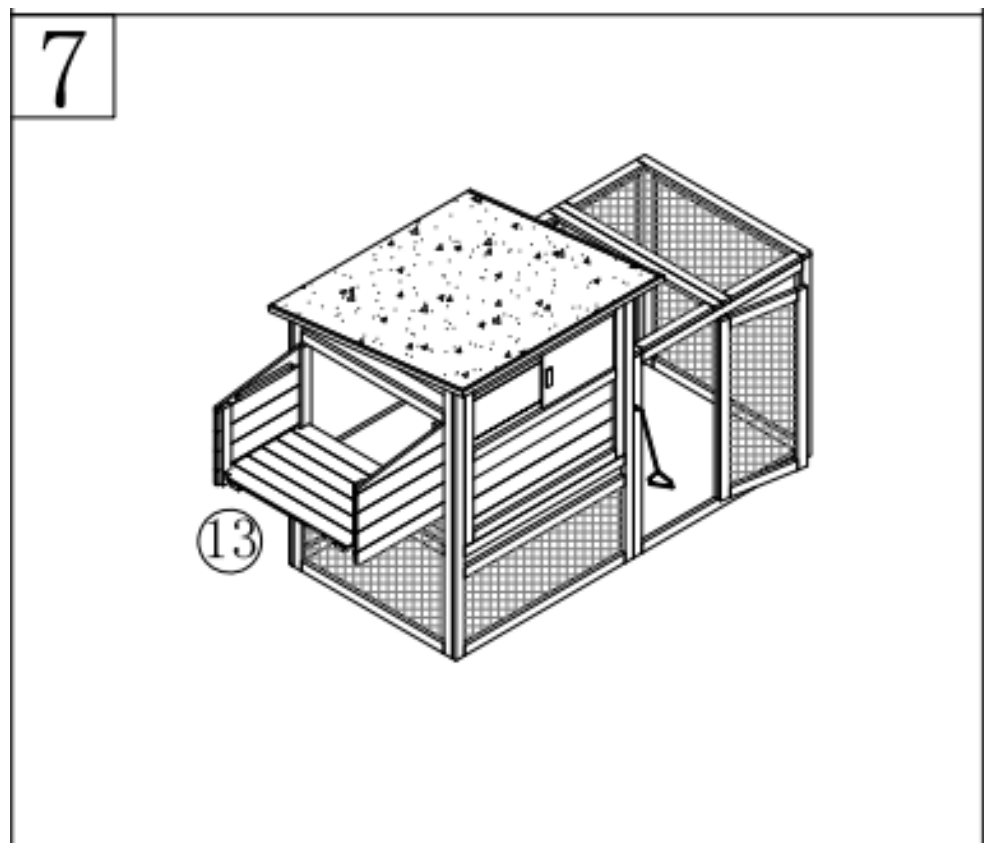
How to Assemble the Bungalow Step 7

PARTS

Parts required for step 7

13

Place the Rest Box Floor In: Place part 13 on the ledges of parts 10 and 11, ensuring the flatter side of the slats face up.



How to Assemble the Bungalow Step 8

PARTS

Parts required for step 8

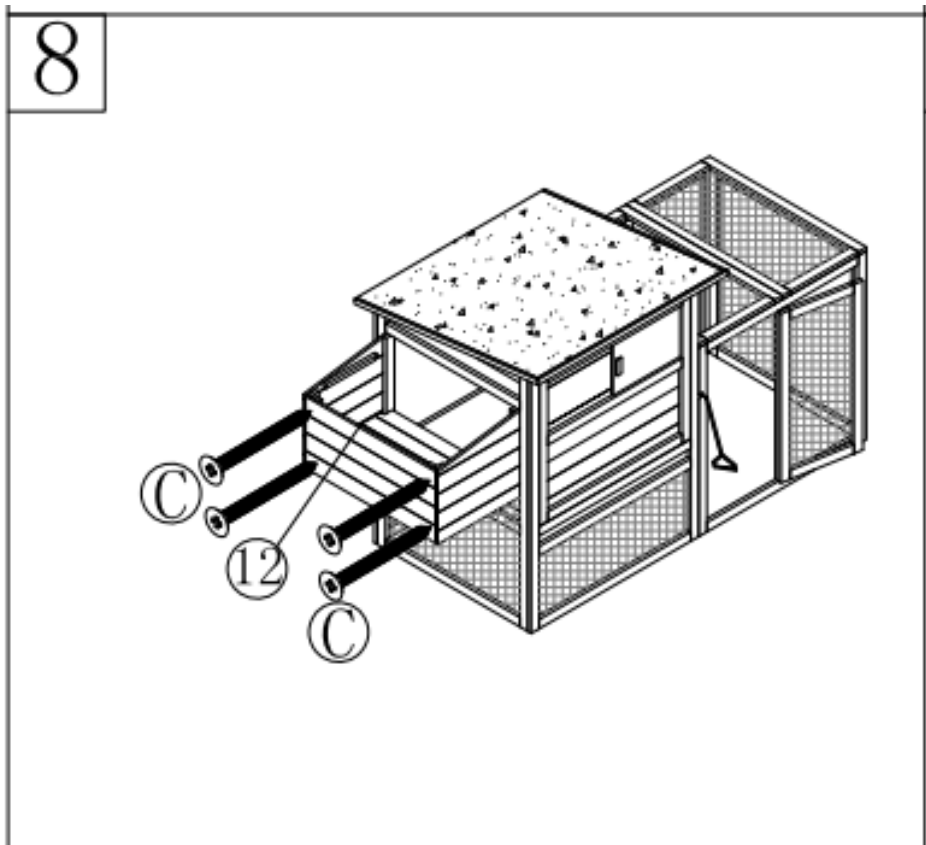
12

Screws required for step 8

C X 4

Attach The Back Of The Rest Box: Place part 12 between the sides of the rest box, with the flatter sides of the slats facing out.

Locate the pre-drilled holes and use screws C x 4 to attach.



How to Assemble the Bungalow Step 9

PARTS

Parts required for step 9

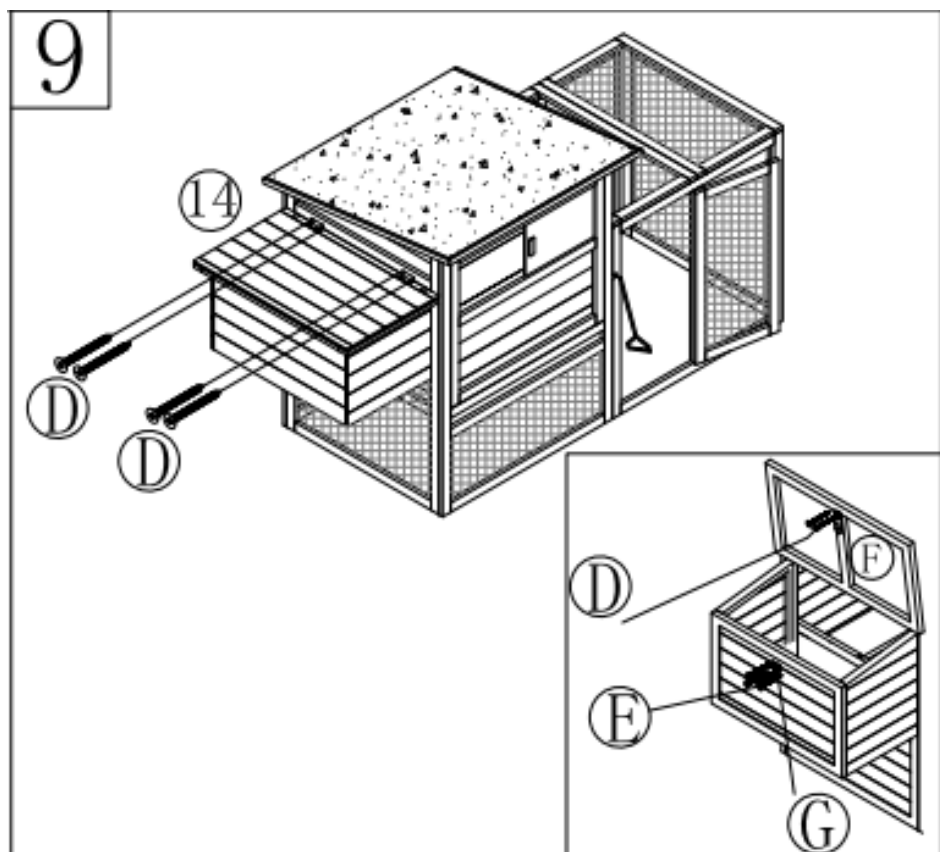
14, F, G

Screws required for step 9

D x 6, E x 2

Attach The Lid Of The Nest Box: Place part 14 evenly on top of the rest box, flush against the house. Use screws D x 4 to attach to the house.

Attach The Latch: Use screws D x 2 to attach latch part F. Then attach latch part G to the side of the nest box using screws E x 2, ensuring it aligns with latch G.



Product Dimensions





FAQ

Frequently asked questions

Contact Information

Phone: 02 4340 4200

Email: info@somerzby.com.au

Customer Service Office Hours

Monday – Thursday: 9:00am – 4:30pm

Friday: 9:00am – 4:00pm

Saturday & Sunday: Closed

Public holidays: Closed

www.somerzby.com.au

#somerzby

