

CABANA HOUSE

ASSEMBLY GUIDE



Welcome!

Congratulations on becoming an owner of a premium Somerzby product! We hope it brings you and your pet/s many years of enjoyment and contentment.

When your flat pack arrives, please check all items for any damage that might have occurred in transit.



02 4340 4200

info@somerby.com.au

What you will need



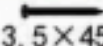
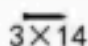
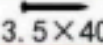
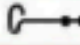
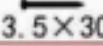
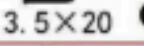
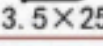

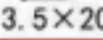
You'll need a battery-powered screwdriver or drill with a Phillips head bit, as well as a flat, level surface to ensure proper alignment of all doors during assembly.

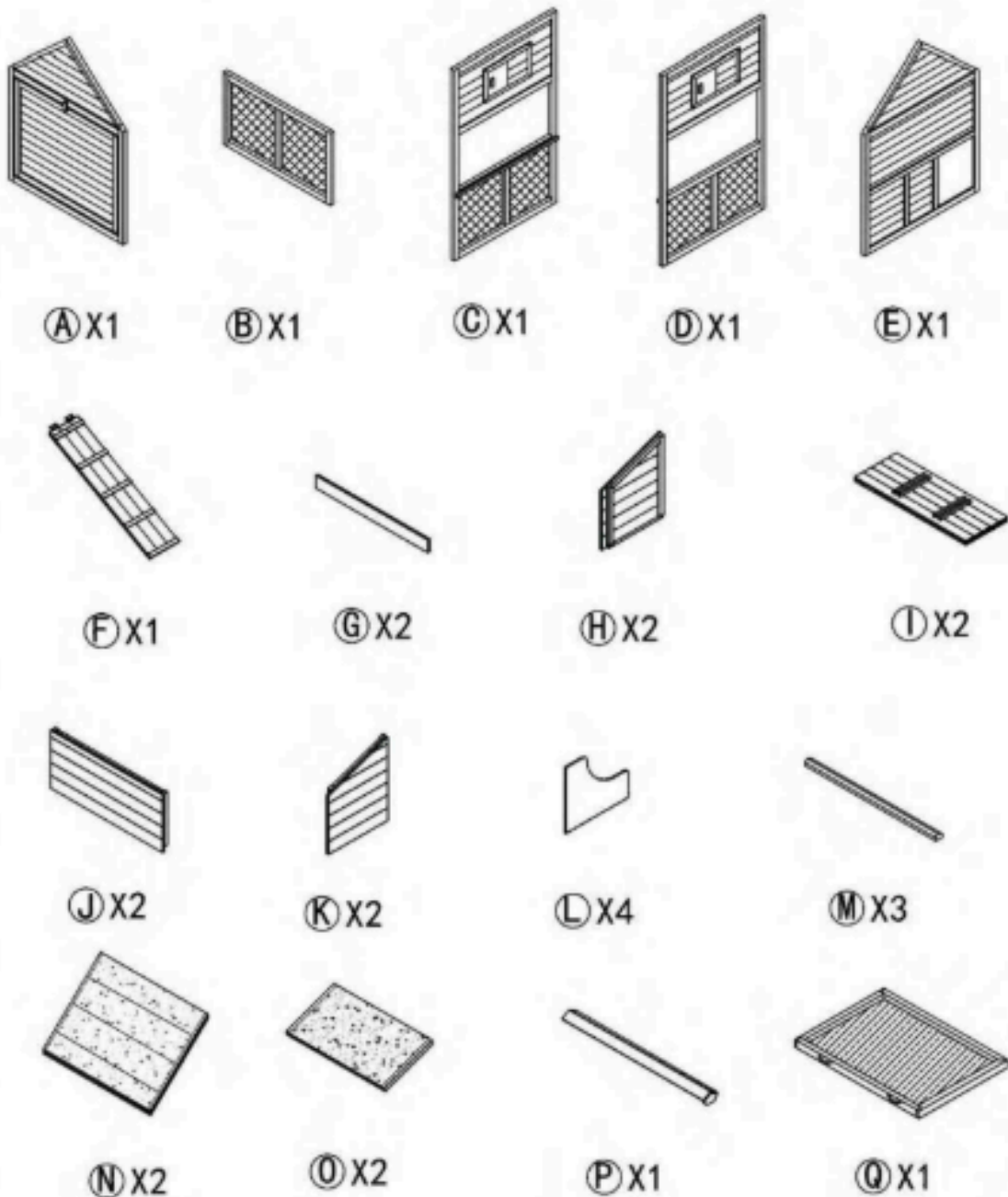
Important Things To Note



1. The instructions and screws can be found in carton #1.
2. A strong smell may be present when opening. This is the natural timber scent and is not harmful to humans or animals. It will fade over time, especially when placed outdoors.
3. When joining two panels, the 1st panel has a guide hole to show where the screw goes. The 2nd panel does not have a predrilled hole. The screw goes directly into the solid timber and forms a tighter join.
4. You may notice a shiny or powdery residue on the panels; this is crystallised sap from the natural wood-drying process. It's completely safe for pets and people and can be wiped off or left as is.

Check list

P1	 3.5×45	12pcs+1 spare	P6	 3×14	20pcs+1 spare
P2	 3.5×40	6pcs+1 spare	P7		1pcs
P3	 3.5×30	8pcs+1 spare	P8	 3.5×20 ○	2pcs+1 spare
P4	 3.5×25	38pcs+1 spare	P9		1pcs
P5	 3.5×20	4pcs+1 spare			



How to Assemble the Cabana House Step 1

PARTS

Parts required for step 1

A, B, C, D, E, P9

Screws required for step 1

P1 x 12, P8 x 2

Assemble The House:

Align panel C with panel B, ensuring the stapled wire side faces the same way. Locate the predrilled holes along the edge of C, then use screw P1 x 2 to attach.

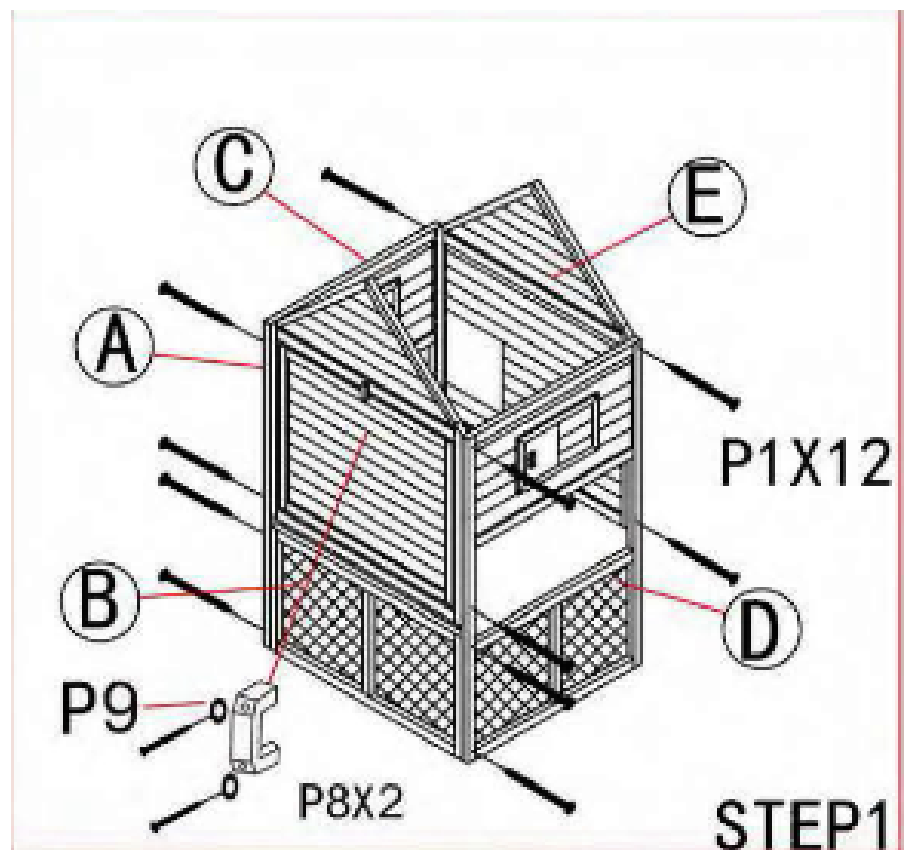
Then, using the dowel guides, place panel A on top of B and next to C. Screw P1 x 2 through the predrilled holes on C to attach.

Next, align panel D with A & E as shown. Use screws P1 x 4 to attach through the predrilled holes on D.

Attach The Door Handle:

Align P9 with the predrilled holes on back door panel A.

Use nut and bolt P8 x 2 to attach the handle through the predrilled holes.



How to Assemble the Cabana House Step 2

PARTS

Parts required for step 2

G, F, L, H, J, K

Screws required for step 2

P2 x 3, P6 x 4, P4 x 19

Assemble The Nest Box:

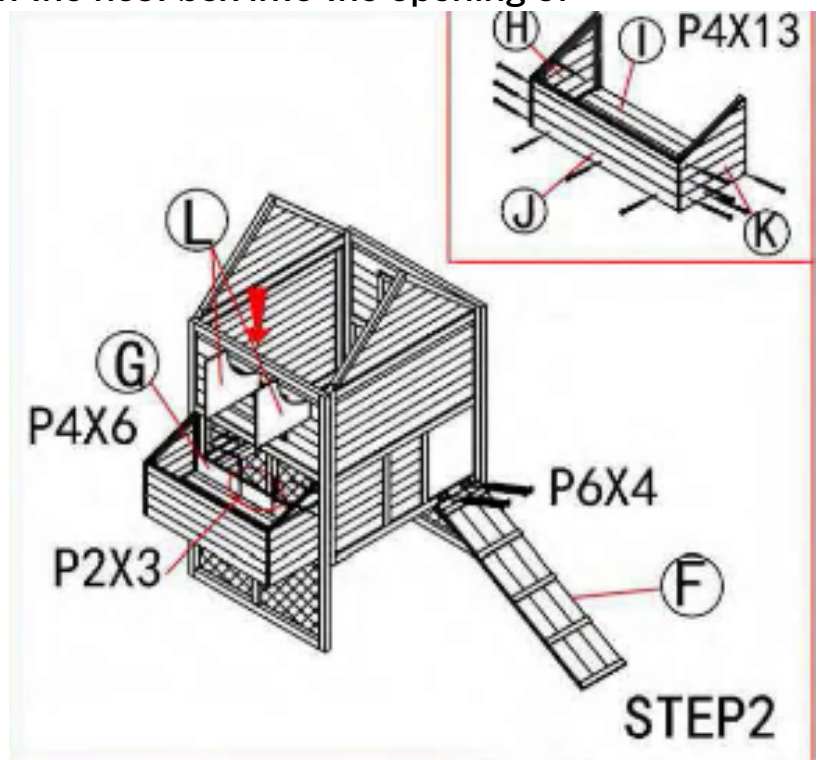
Place part I on a flat surface, align panels H, J and K to form the sides as shown.

Ensure the predrilled holes on base panel I are located at the open side and the divider slots of I and J are facing in towards each other.

Using the pre-drilled holes, screw panels H, I, J and K together using screws P4 x 13.

Attach The Nest Box To The House: Align the nest box into the opening of the side of the house, ensuring it is flush with the edges. Using the predrilled holes on the nest box, use screws P2 x 3 to attach the base of the box to the house.

Use screws P4 x 6 to attach the sides of the nest box to house.



How to Assemble the Cabana House Step 2- Continued

PARTS

Parts required for step 2

G, F, L x 2, H, I, J, K

Screws required for step 2

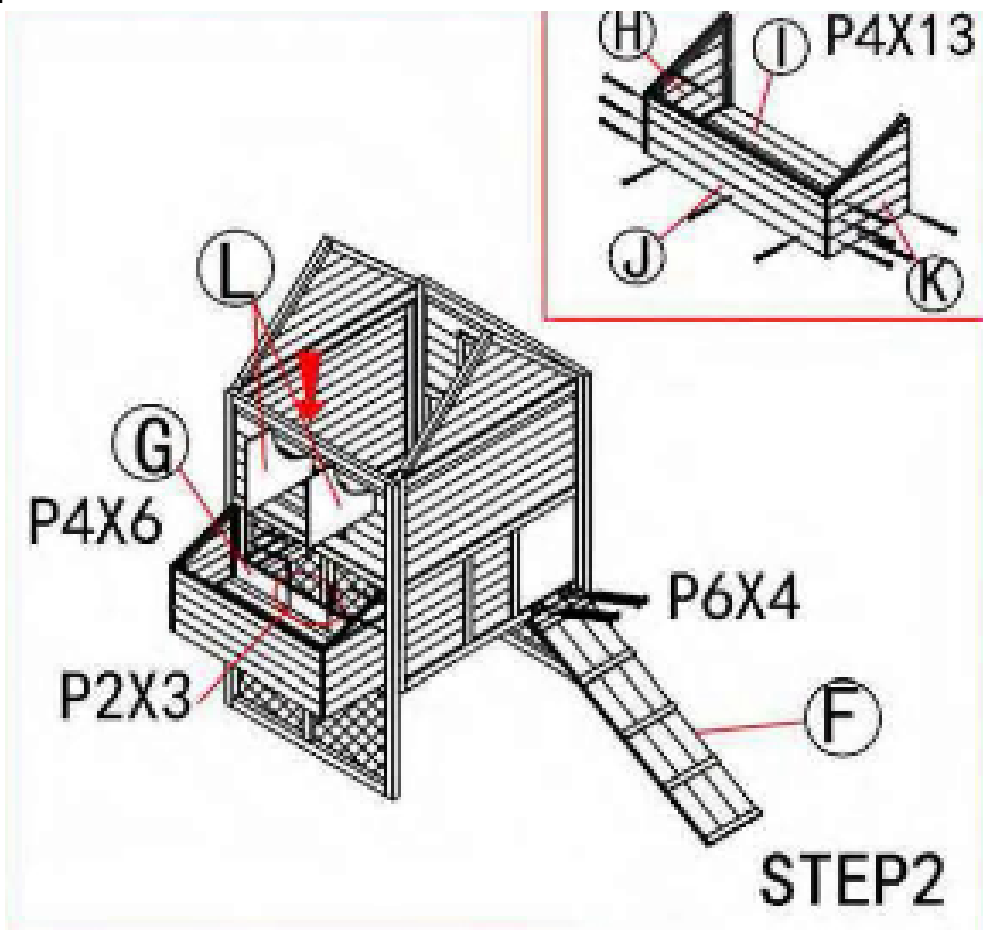
P2 x 3, P6 x 4, P4 x 19

Insert The Nest Box Components: Slide part L x 2 into the nest box guides as shown. ****These can be left out if not using for chickens.****

Slide part G into the slot at the edge of the nesting area, ensuring the U shaped holders face towards the main house area.

Attach The Ramp To The House:

Use screws P6 x 4 to attach the hinges of the ramp below the small entry door to the house.



How to Assemble the Cabana House Step 3

PARTS

Parts required for step 3

H, I, J, K, G, M x 3

Screws required for step 3

P4 x 19, P2 x 3

Assemble The Second Nest Box:

Place part I on a flat surface, align panels H, J and K to form the sides as shown. Ensure the predrilled holes on base panel I are located at the open side and the divider slots of I and J are facing in towards each other.

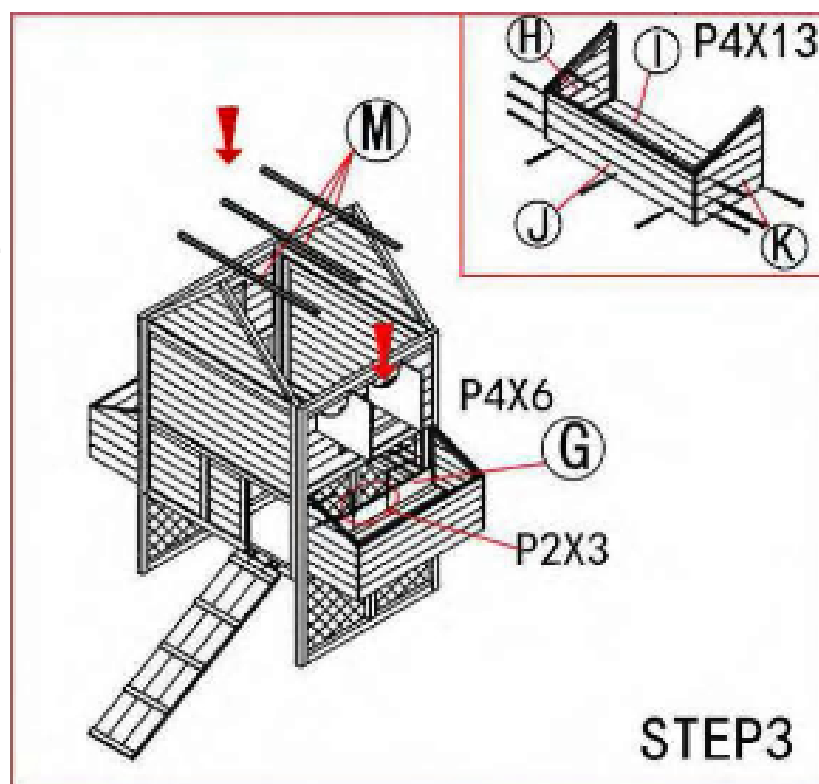
Using the pre-drilled holes, screw panels H, I, J and K together using screws P4 x 13.

Attach The Nest Box To The House:

Align the nest box into the opening of the side of the house, ensuring it is flush with the edges. Using the predrilled holes on the nest box, use screws P2 x 3 to attach the base of the box to the house. Use screws P4 x 6 to attach the sides of the nest box to house.

Position Roosting Poles: Place 3 x M into 'U' shaped holders inside the house.

**** If not using to house chickens, part M can be left out****



STEP3

How to Assemble the Cabana House Step 4

PARTS

Parts required for step 4

N x 2, O x 1, P7

Screws required for step 4

P6 x 10, P3 x 8

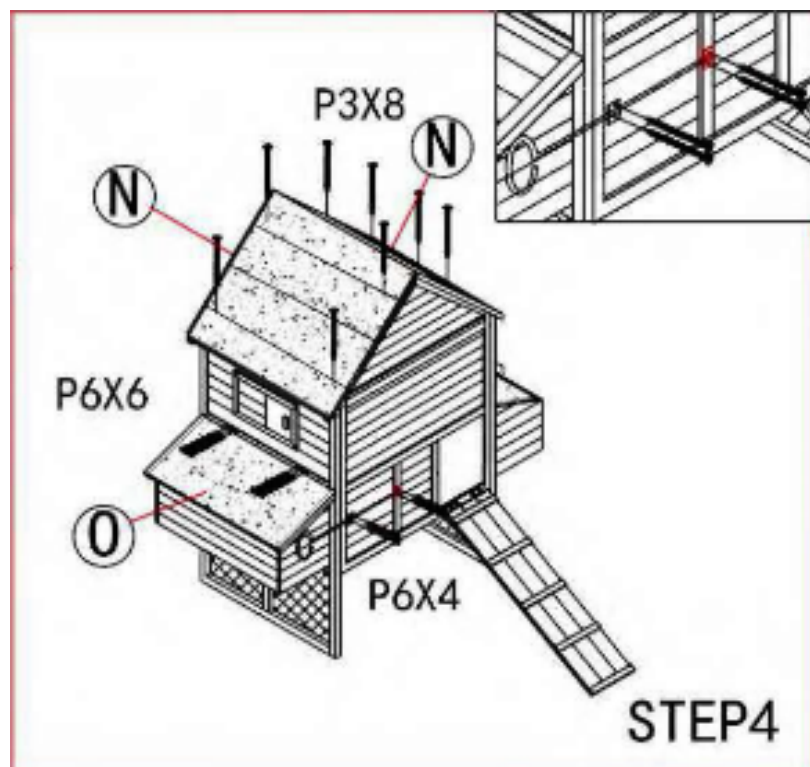
Attach The Roof: Align parts N x 2 over the house section. Locate the predrilled holes in the roof panels and use screws P3 x 8 to attach.

Attach The Nest Box Lid: Align part O over the nest box, ensuring the latches line up and the lid is against the house.

Use screws P6 x 6 attach the hinges of O to the house.

Attach The Handle Component: Use screws P6 x 4 to attach the small metal rod of P7 halfway up the front edge of the sliding door.

Join the two handle pieces together using the nut and bolt- a shifting spanner may be required.



How to Assemble the Cabana House Step 5

PARTS

Parts required for step 5

P, O x 1

Screws required for step 5

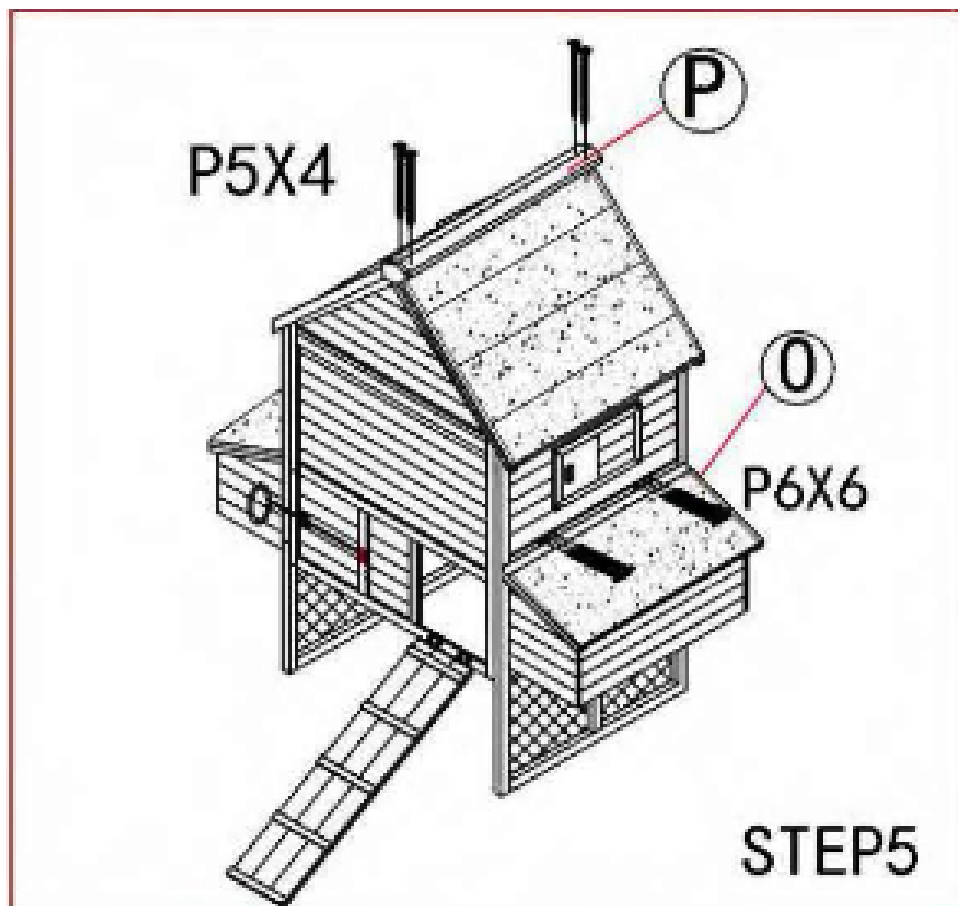
P6 x 6, P5 x 4

Attach The Roof Cap: Place part P over the roof join.

Use P5 x 4 to attach using the predrilled holes.

Attach The Nest Box Lid: Align the second part O over the nest box, ensuring the latches line up and the lid is against the house.

Use screws P6 x 6 attach the hinges of O to the house.



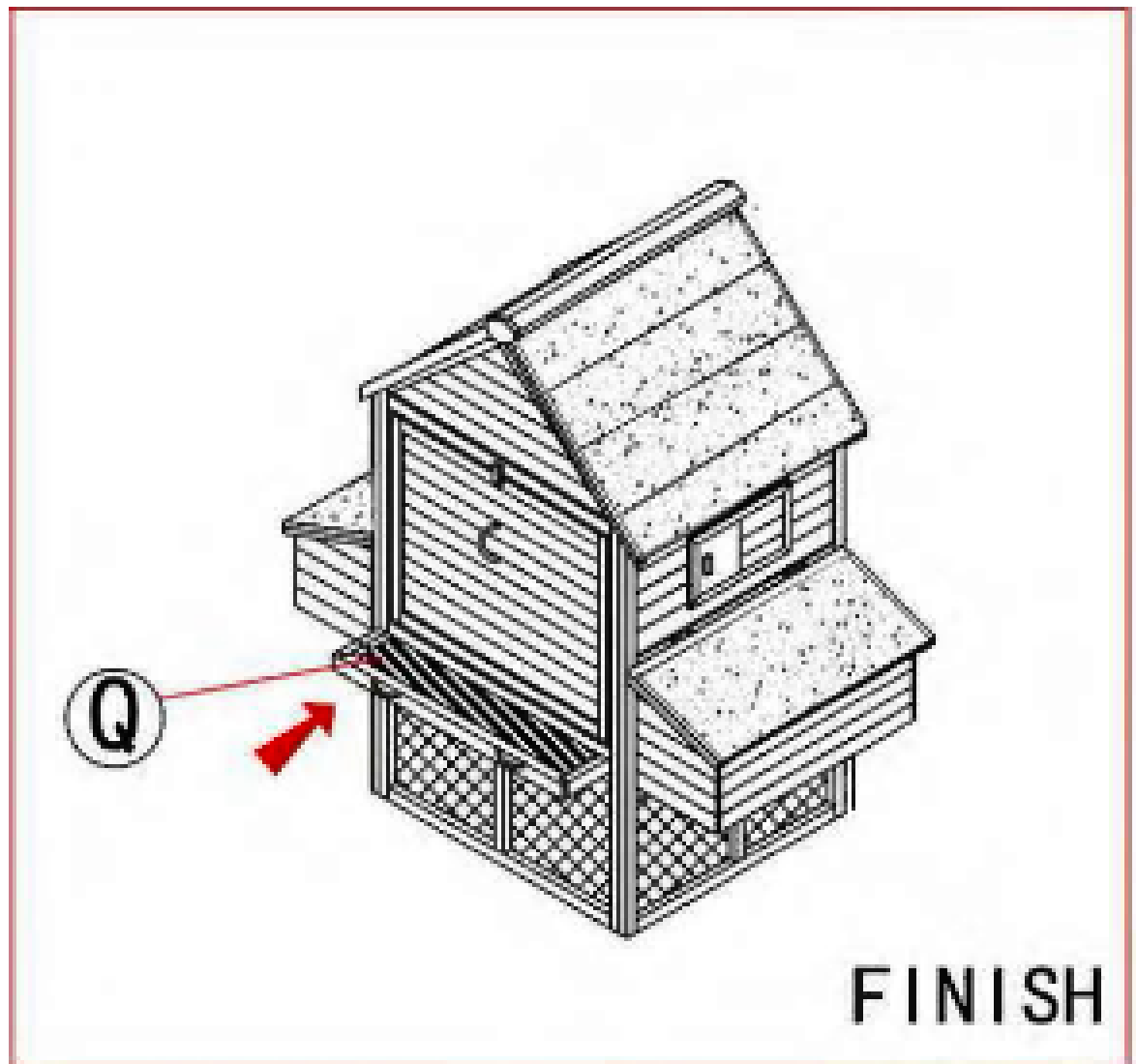
How to Assemble the Cabana House FINISH

PARTS

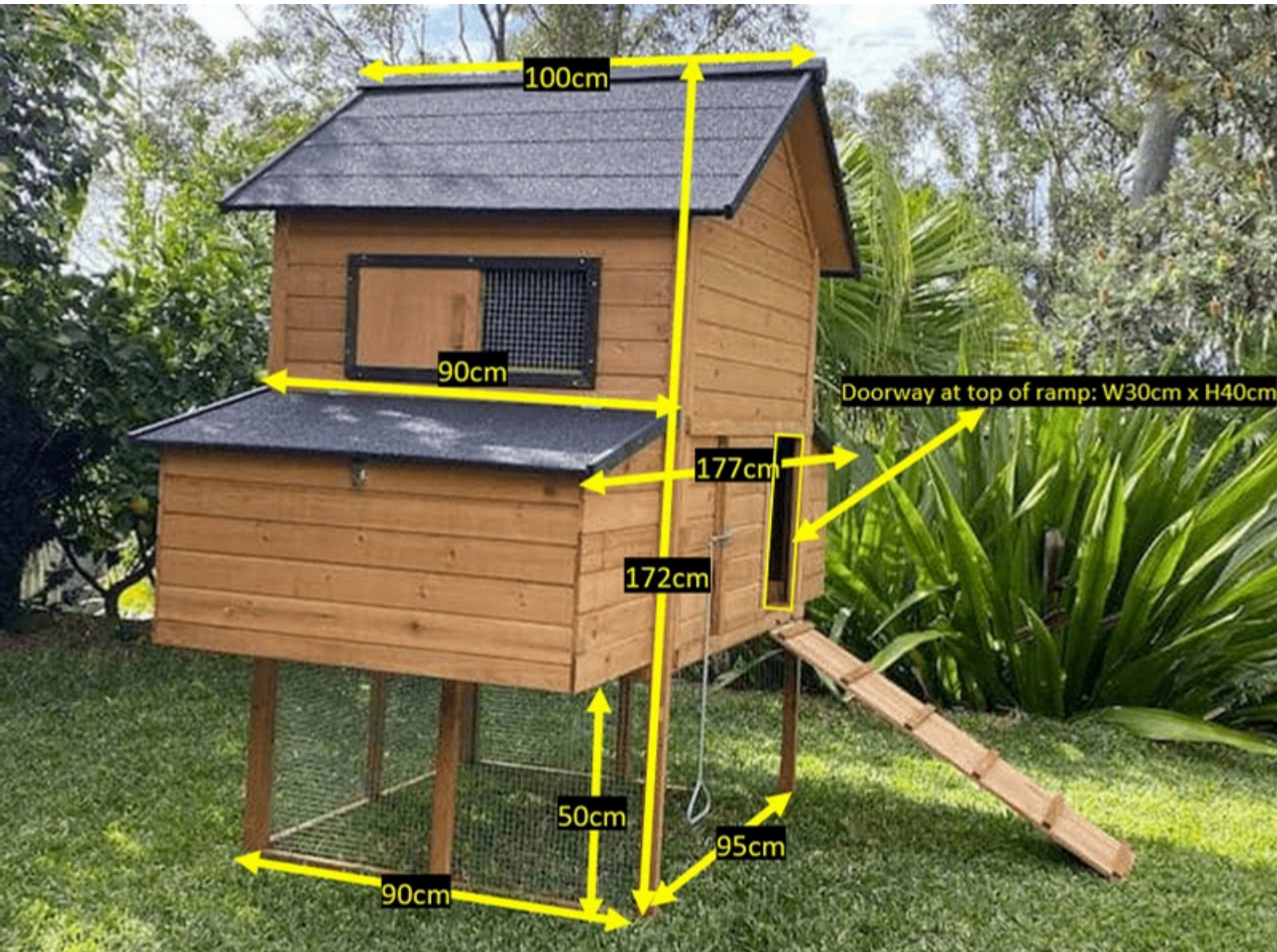
Parts required for step FINISH

Q

Insert The Pull Out Tray: Slide part Q into the open slot of the house. Ensure the handle side is positioned towards the outside.



Product Dimensions





FAQ

Frequently asked questions

Contact Information

Phone: 02 4340 4200

Email: info@somerzby.com.au

Customer Service Office Hours

Monday – Thursday: 9:00am – 4:30pm

Friday: 9:00am – 4:00pm

Saturday & Sunday: Closed

Public holidays: Closed

www.somerzby.com.au

#somerzby

