

CABIN DOG KENNEL

ASSEMBLY GUIDE



Welcome!

Congratulations on becoming an owner of a premium Somerzby product! We hope it brings you and your pet/s many years of enjoyment and contentment.

When your flat pack arrives, please check all items for any damage that might have occurred in transit.



02 4340 4200

info@somerby.com.au

What you will need



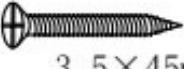

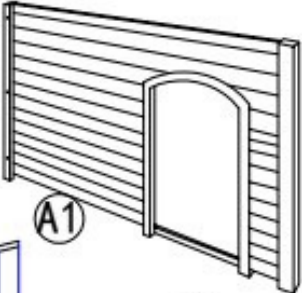

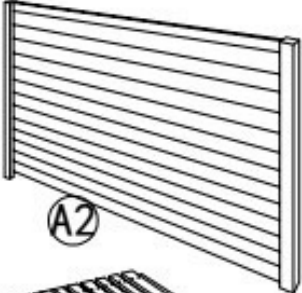



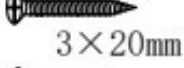
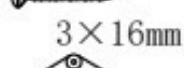






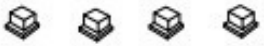
You'll need a battery-powered screwdriver or drill with a Phillips head bit, as well as a flat, level surface to ensure proper alignment of all doors during assembly.

Important Things To Note



- The instructions and screws can be found in carton #1.
- A strong smell may be present when opening. This is the natural timber scent and is not harmful to humans or animals. It will fade over time, especially when placed outdoors.
- When joining two panels, the 1st panel has a guide hole to show where the screw goes. The 2nd panel does not have a predrilled hole. The screw goes directly into the solid timber and forms a tighter join.
- You may notice a shiny or powdery residue on the panels; this is crystallised sap from the natural wood-drying process. It's completely safe for pets and people and can be wiped off or left as is.

Check list

P1		12pcs+1spare						
P2		4pcs+1spare						
P3		8pcs+1spare						
P4		3pcs+1spare						
P5		14pcs+1spare						
P6		2pcs						
								

How to Assemble the Cabin Step 1

PARTS

Parts required for step 1

A1, A2, B1, B2

Screws:

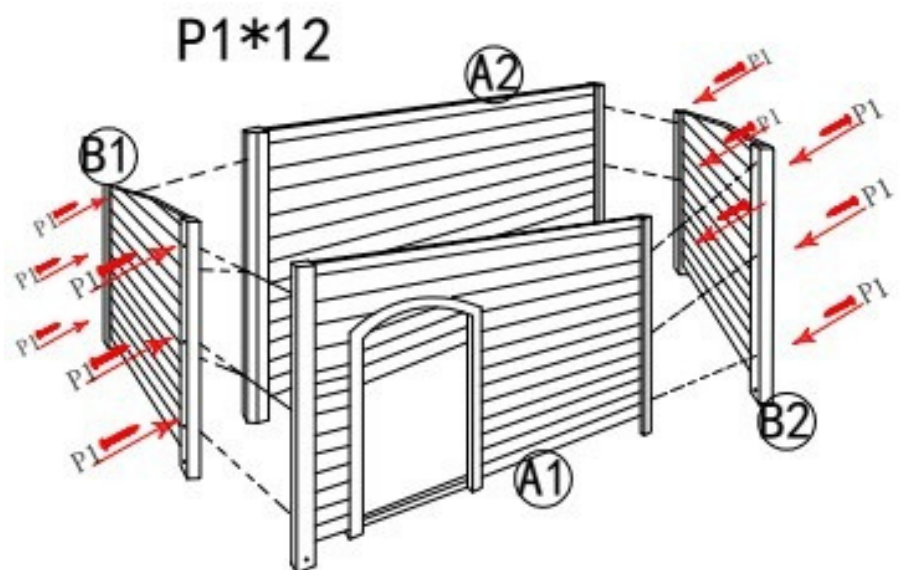
P1 x 12

Assembling The Sides

Align Panel A1 with Panel B1, positioning the highest angled edge of B1 flush against A1. Screw P1 x 3 through the pre-drilled guide holes of B1 to attach.

Repeat this step to attach panel A1 to Panel B2

Next, align panel A2 with both Panels B1 and B2. Using screws P1 x 6, secure A2 to B1 and B2 through the pre-drilled guide holes.



How to Assemble the Cabin Step 2

PARTS

Parts required for step 2

C x 2, G x 2, E x 4, F

Screws:

P2 x 4, P3 x 8, P4 x 3

Attach The Floor Supports

Position floor supports G underneath floor panels C, with the long edge against the floor. Align the supports with the predrilled holes, then secure through the top of the floor using screws P2 x 4.

Place the floor panels in the kennel, taking note of the corner cutouts.

Attach The Feet

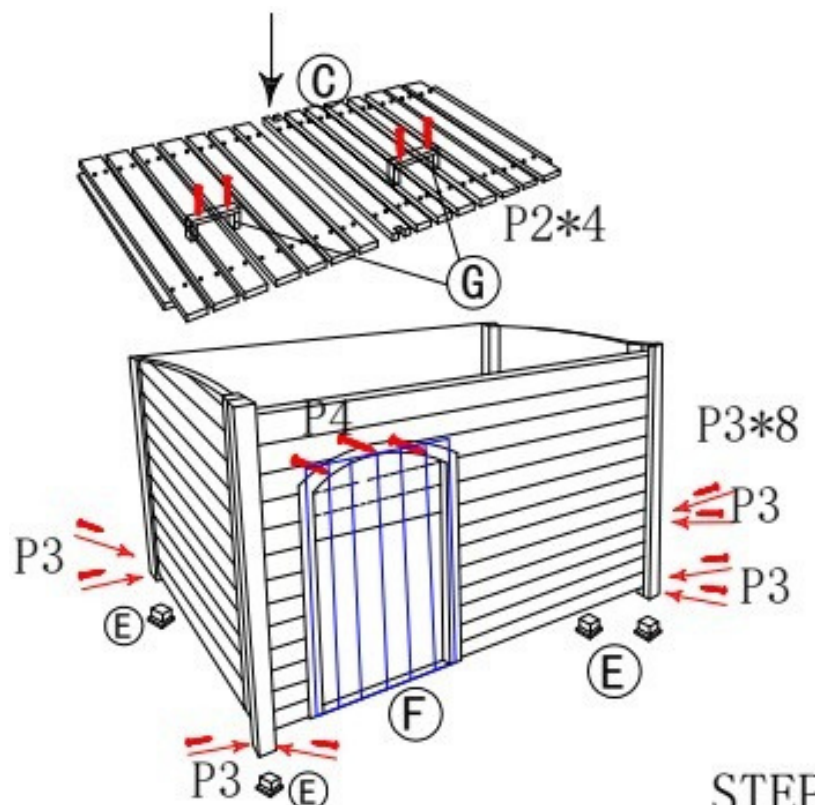
Align part E in each corner of the kennel as shown. The kennel frame will rest on top of these block pieces.

Use screws P3 x 8 to secure together through the pre-drilled holes.

Attach The Plastic Door Flap

Position the wooden section of part F evenly above the inside of the door opening.

Use screws P4 x 3 to attach through the pre-drilled guide holes.



How to Assemble the Cabin Step 3

PARTS

Parts required for step 3

D, P6 x 2

Screws

P5 x 14

Attach The Roof

Place roof panel D on top of the kennel, making sure it is centered and both the back hinges are evenly aligned.

Use screws P4 x 6 to secure the pre-attached hinges to the back of the kennel.

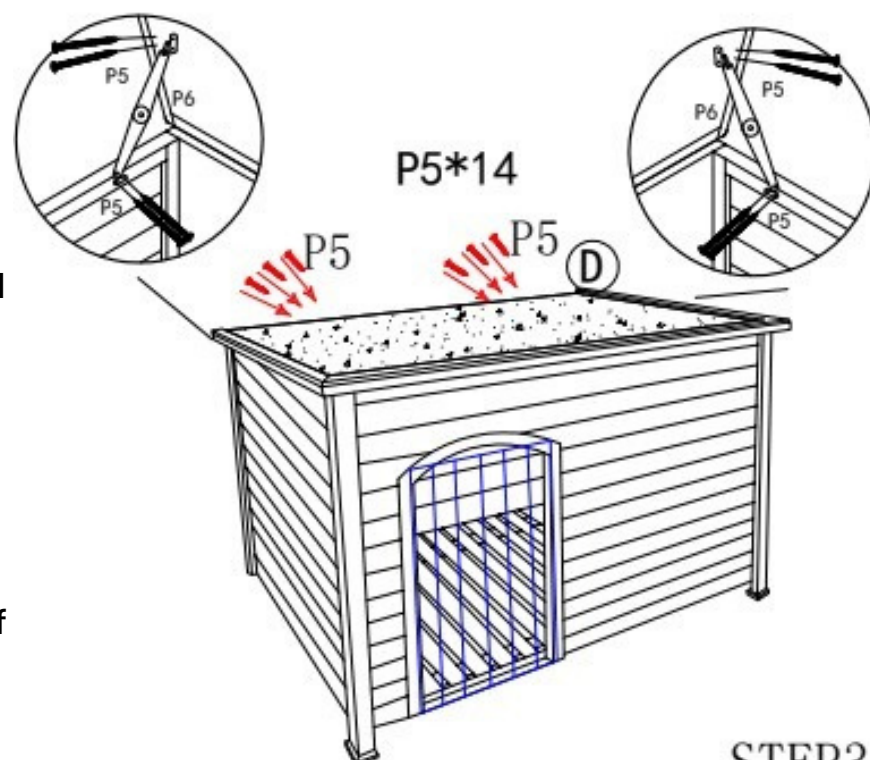
Attach The Arm Hinges

Locate the left and right hinges. Make sure the thick middle joint is facing toward the inside of the kennel.

Position the flat end of the hinge with the plywood block on the roof. Use screws P5 x 2 to attach.

The other end should rest flush against the side wall of the kennel over the small predrilled holes. Use screws P5 x 2 to attach.

NOTE: It is important to ensure the hinges are 'unlocked' in the middle joint before closing the roof to prevent damage.





FAQ

Frequently asked questions

Contact Information

Phone: 02 4340 4200

Email: info@somerzby.com.au

Customer Service Office Hours

Monday – Thursday: 9:00am – 4:30pm

Friday: 9:00am – 4:00pm

Saturday & Sunday: Closed

Public holidays: Closed

www.somerzby.com.au

#somerzby

