

CASTLE ASSEMBLY GUIDE



Welcome!

Congratulations on becoming an owner of a premium Somerzby product! We hope it brings you and your pet/s many years of enjoyment and contentment.

When your flat pack arrives, please check all items for any damage that might have occurred in transit.



02 4340 4200

info@somerby.com.au

What you will need











You'll need a battery-powered screwdriver or drill with a Phillips head bit, as well as a flat, level surface to ensure proper alignment of all doors during assembly.

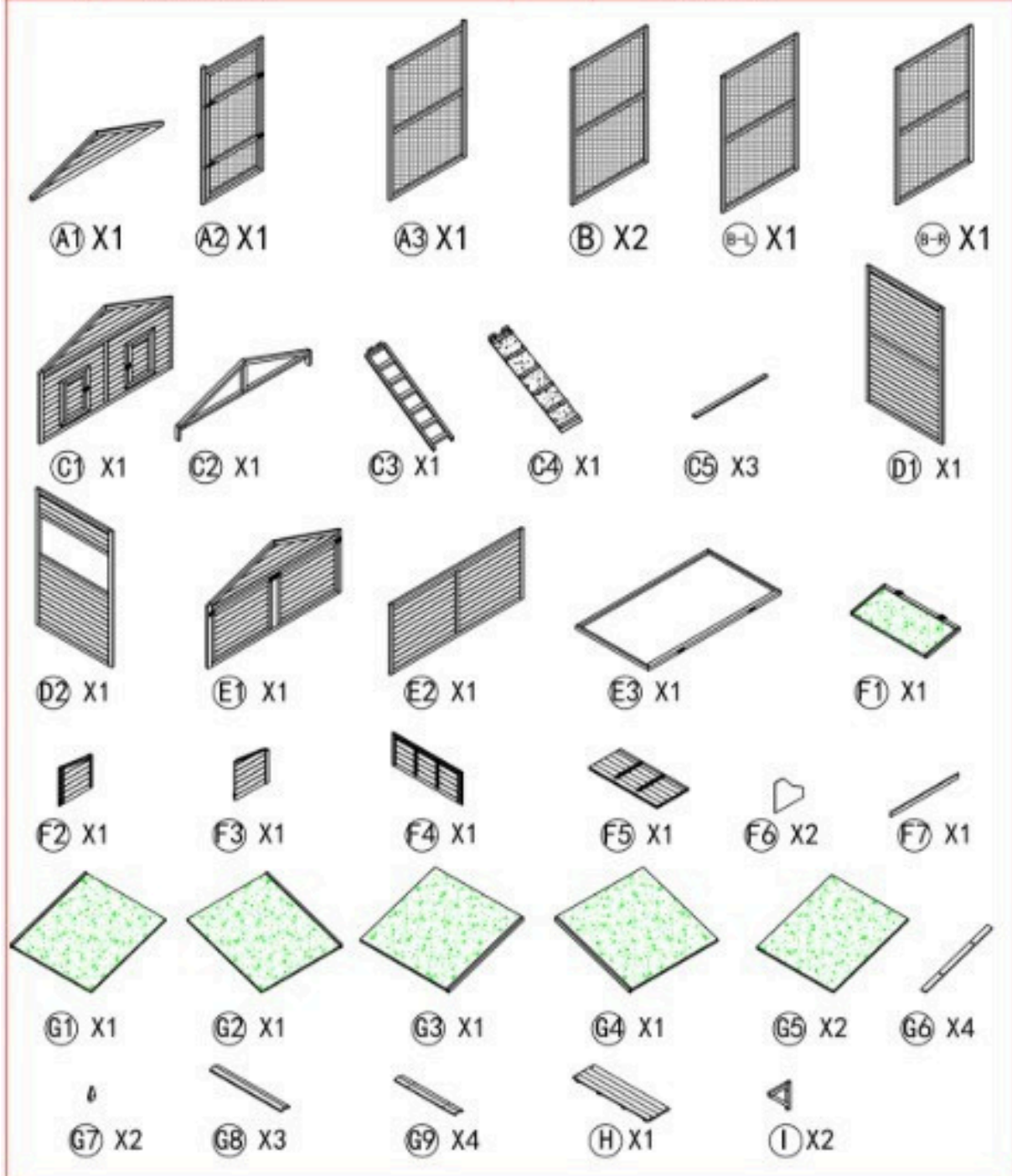
Important Things To Note



1. The instructions and screws can be found in carton #5.
2. A strong smell may be present when opening. This is the natural timber scent and is not harmful to humans or animals. It will fade over time, especially when placed outdoors.
3. When joining two panels, the 1st panel has a guide hole to show where the screw goes. The 2nd panel does not have a predrilled hole. The screw goes directly into the solid timber and forms a tighter join.
4. You may notice a shiny or powdery residue on the panels; this is crystallised sap from the natural wood-drying process. It's completely safe for pets and people and can be wiped off or left as is.

Check list

P1	 3.5 × 60mm	22pcs+1 spare	P2	 3.5 × 45mm	24pcs+1 spare
P3	 3.5 × 30mm	40pcs+1 spare	P4	 3.5 × 25mm	33pcs+1 spare
P5	 3.5 × 20mm	16pcs+1 spare	P6	 3 × 16mm	14pcs+1 spare
P7	 3.5 × 50mm	4pcs+1 spare	P8	 47 × 47mm	2pcs



How to Assemble the Castle Step 1

PARTS

Parts required for step 1

C1, D1, D2, E1, E2

Screws required for step 1

P2 x 12

Assemble The Housing Area:

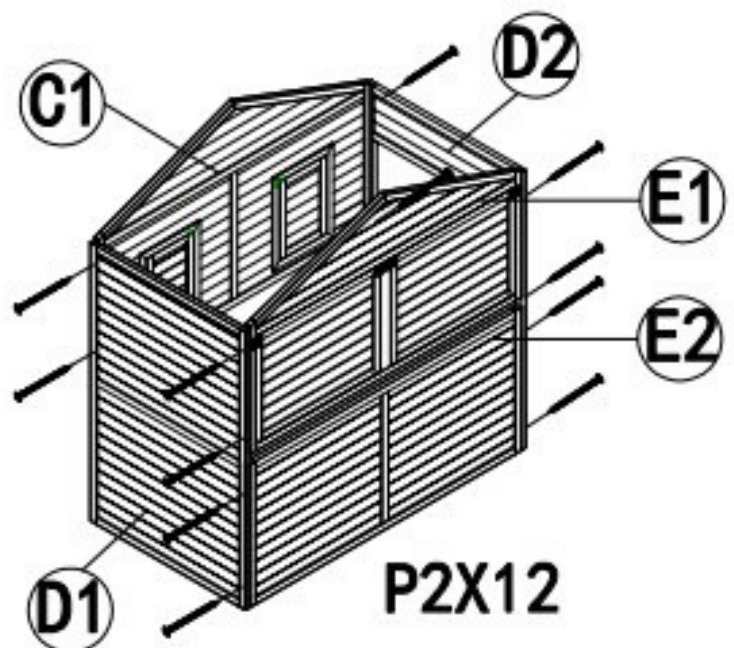
Attach Panel D1 to E2: Align panel D1 with E2 as shown, taking note of the location of the predrilled holes on D1. Use screws P2 x 2 to attach.

Attach Panel D2 to E2: Align panel D2 with the other side of E2 as shown, taking note of the location of the predrilled holes on D2. Use screws P2 x 2 to attach.

Attach Panel E1 to D1 and D2: Using the guide dowels, position E1 between D1 and D2 as shown. Using the predrilled holes along the edges of D1 and D2, attach with screws P2 x 4.

Attach C1 to D1 and D2: Using the dowel guides, position panel C1 between D1 and D2. ensuring the door latches are facing out.

Locate the predrilled holes along the edges of D1 and D2, then use screws P2 x 4 to attach.



How to Assemble the Castle Step 2

PARTS

Parts required for step 2

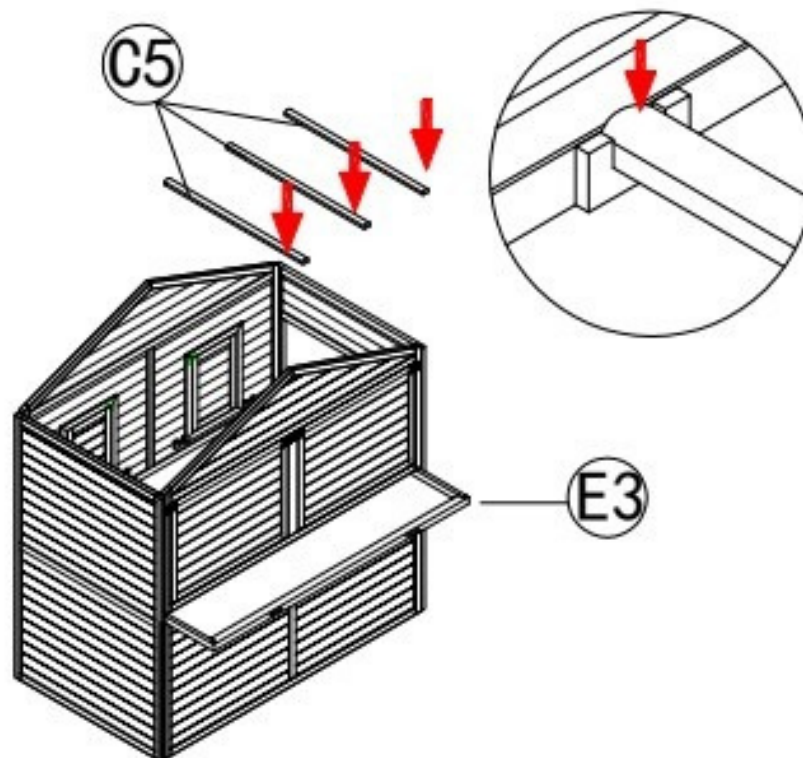
E3, C5 x 3

Insert The Pull Out Tray: Slide part E3 into the open slot of the house.

Ensure the handle side is positioned at the front.

Position Roosting Poles: Place 3 x C5 into 'U' shaped holders inside the house section.

Note: If not using to house chickens, the roosting poles can be left out. They can also be used as a chew toy for rabbits.



STEP2

How to Assemble the Castle Step 3

PARTS

Parts required for step 3

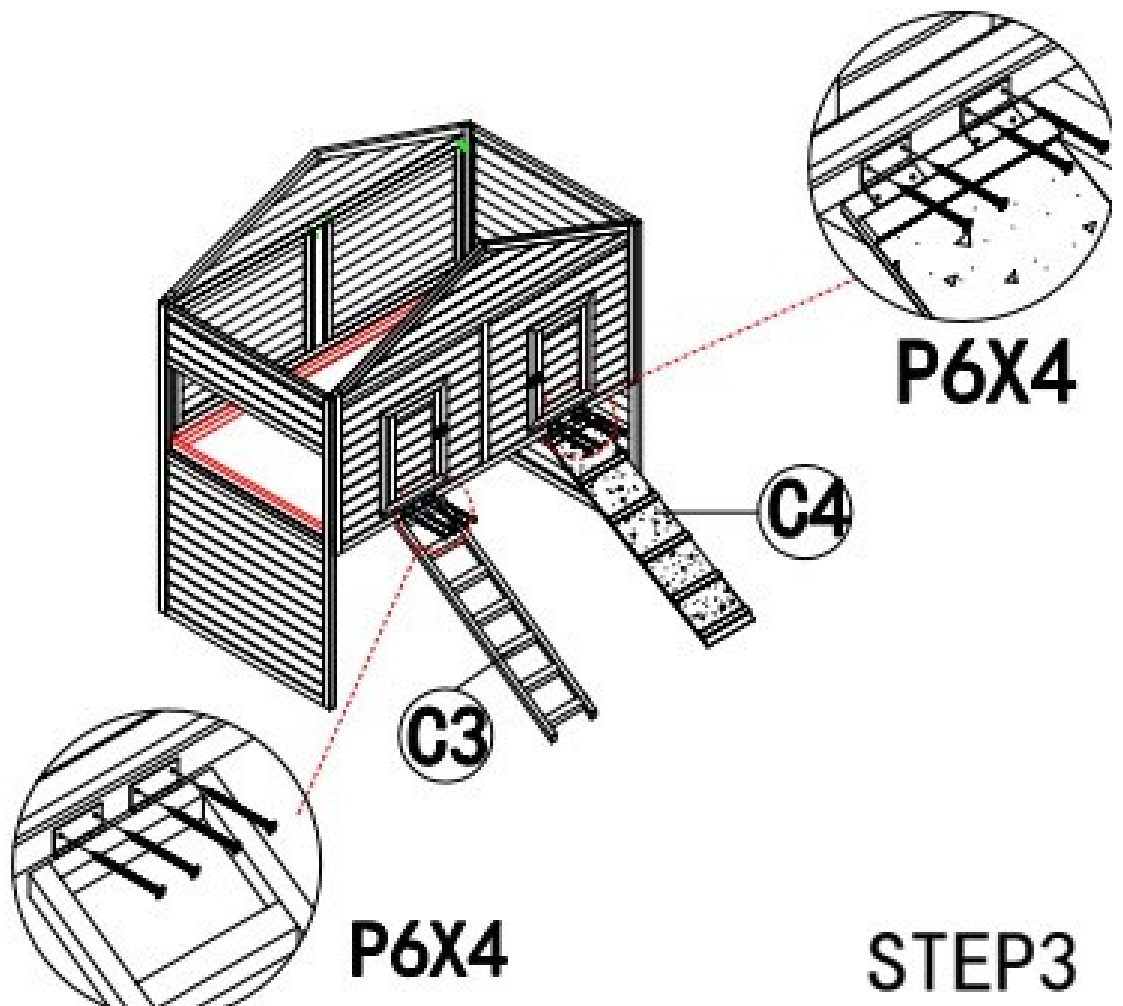
C3, C4

Screws

P6 x 8

Attach The Ramp and Ladder:

Use screws P6 x 8 to attach the ramp and ladder hinges below the entry doors, as shown.



How to Assemble the Castle Step 4

PARTS

Parts required for step 4

F2, F3, F4, F5

Screws

P4 x 21

Assemble The Nesting Box: Place part F5 on a flat surface, align panels F2, F3 and F4 to form the sides as shown.

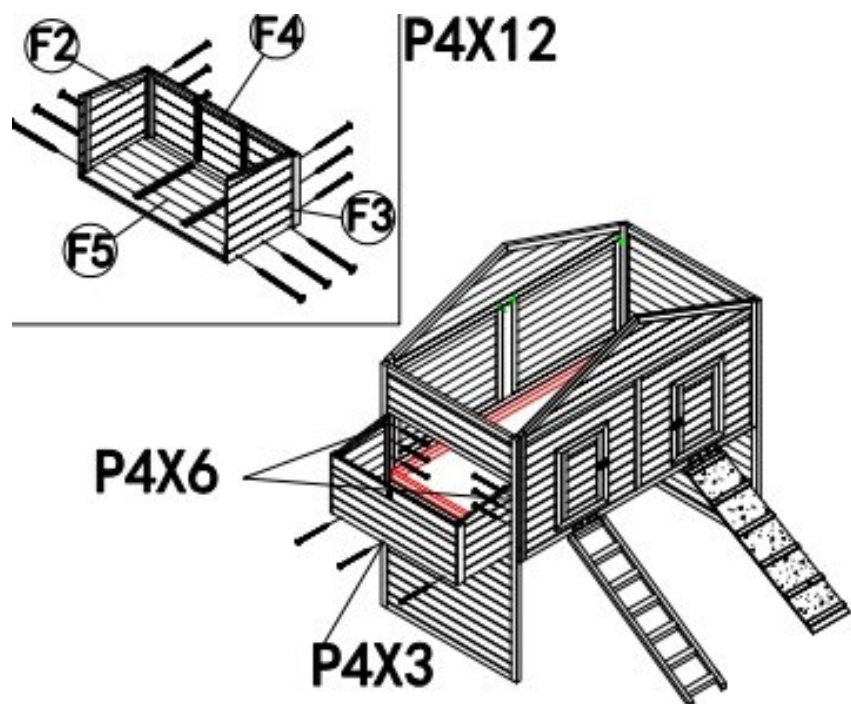
Ensure the pre-drilled holes on base panel L are located at the open side and the divider slots of F4 and F5 are facing in towards each other.

Using the pre-drilled holes, screw panels F2, F3, F4 and F5 together using screws P4 x 12.

Attach The Nest Box To The House: Align the nest box into the opening of the side of the house, ensuring it is flush with the edges.

Using the pre-drilled holes on the nest box, use screws P4 x 3 to attach the base of the box to the house.

Use screws P4 x 6 to attach the sides of the nest box to the house.



STEP4

How to Assemble the Castle Step 5

PARTS

Parts required for step 5

F7, B x 2

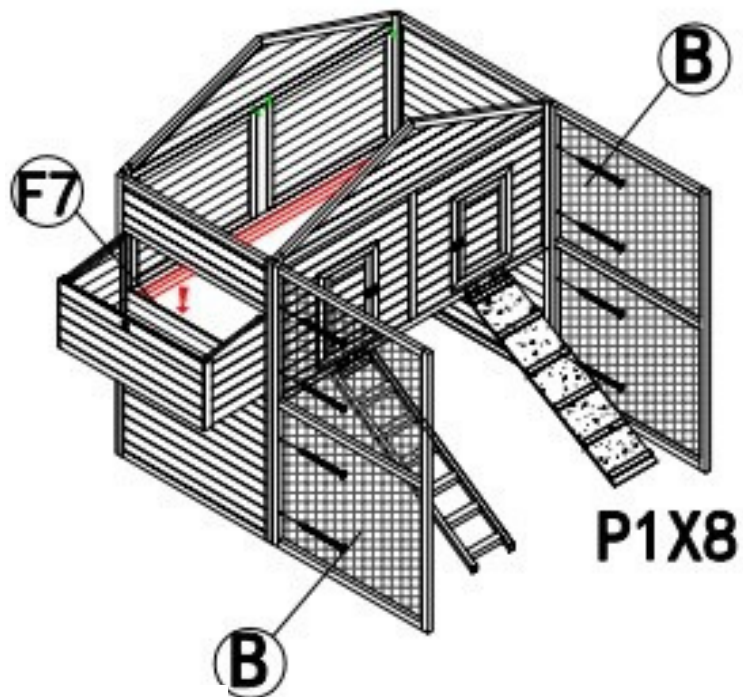
Screws

P1 x 8

Insert The Nest Box Bedding Holder: Slide part F7 into the nest box as shown. This piece helps to keep the bedding contained within the nest box area.

Assemble The Run Sides: Locate the predrilled holes along the inside edge of panel B. Align with the side of the house as shown, then use screws P1 x 4 to attach.

Repeat on the opposite side with the second B panel.



Assembly notes.

Part F7 (plain piece of wood) sits in the front of the egg box.

How to Assemble the Castle Step 6

PARTS

Parts required for step 6

B-L, B-R, C2, F6 x 2

Screws

P1 x 8, P2 x 8

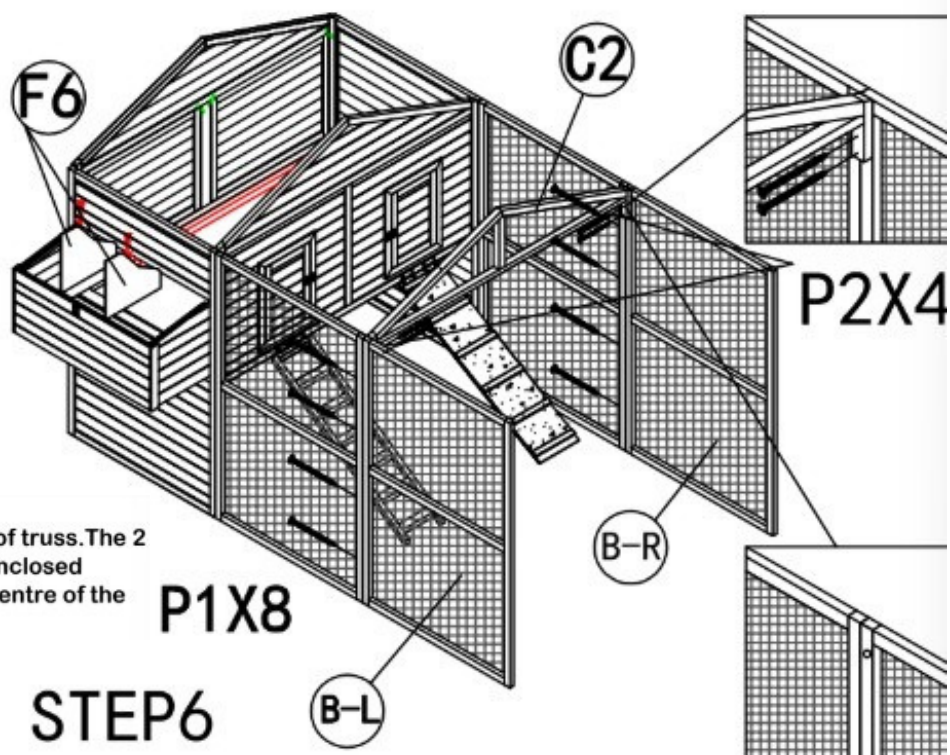
Insert The Nest Box Dividers: Slide parts F6 x 2 into the nest box guides as shown.

Assemble The Run Sides: Locate the predrilled holes along the inside edge of panel B. Align panel B-L as shown, taking note of the dowel hole location. Use screws P1 x 4 to attach.

Repeat on the opposite side with B-R.

Attach The Roof Truss:

Using the guide dowels place C2 between the run panels as shown. Locate the predrilled holes and use screws P2 x 4 to attach.



Assembly notes.

2 panels have dowel holes to attach the triangular roof truss. The 2 panels with dowel holes should be furthest from the enclosed "house". The dowel holes should be at the top in the centre of the roofed outdoor area. See sketch

How to Assemble the Castle Step 7

PARTS

Parts required for step 7

H, I x 2, A1, A2, A3, P8 x 2

Screws

P4 x 12, P7 x 4, PP1 x 6, P2 x 8

Assemble The Shelf: Place 2 x bracket I underneath shelf panel H as shown.

Locate the predrilled holes on panel H and use screws P4 x 4 to attach.

Attach The Shelf: Place the assembled shelf against the timber beams of the run area as shown. Locate the predrilled holes on the brackets and use screws P7 x 4 to attach.

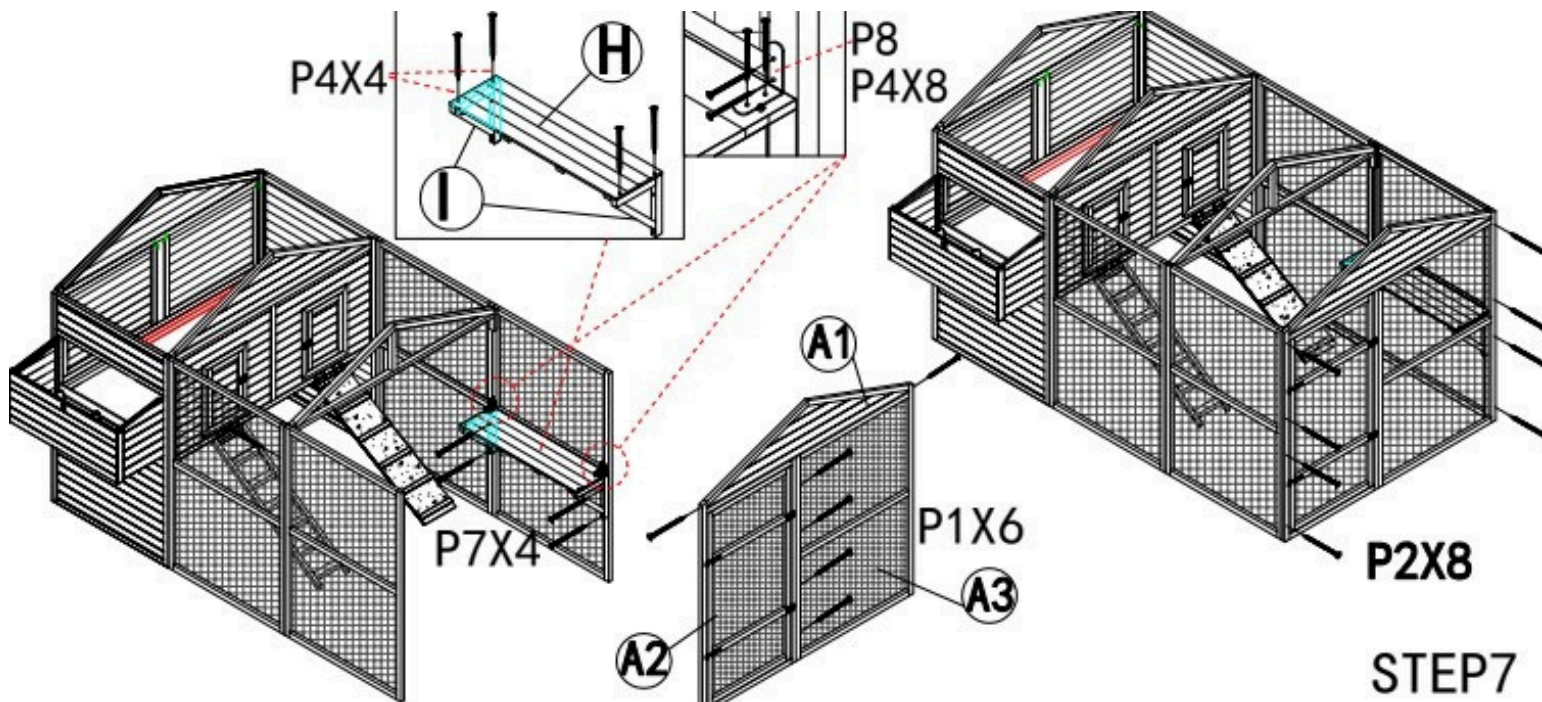
Next, attach metal brackets P8 x 2 on top of the shelf as shown. Use screws P4 x 8 to attach.

Assemble The End Of The Run: Align panels A2 and A3 as shown. Ensure the stapled side of the wire faces the same way. Locate the predrilled holes along the inner edge of A3, then use screws P1 x 4 to attach.

Next, Place panel A1 on top of A2 and A3. Use screws P1 x 2 to attach through the predrilled holes on the side.

How to Assemble the Castle Step 7- Continued

Attach The End Of The Run: Place the assembled run end panel up against the assembled enclosure as shown. Locate the predrilled holes along the front edges, then use screws P2 x 8 to attach.



How to Assemble the Castle Step 8

PARTS

Parts required for step 8

F1, G1, G2, G3, G4, G5 x 2

Screws

P6 x 6, P3 x 20

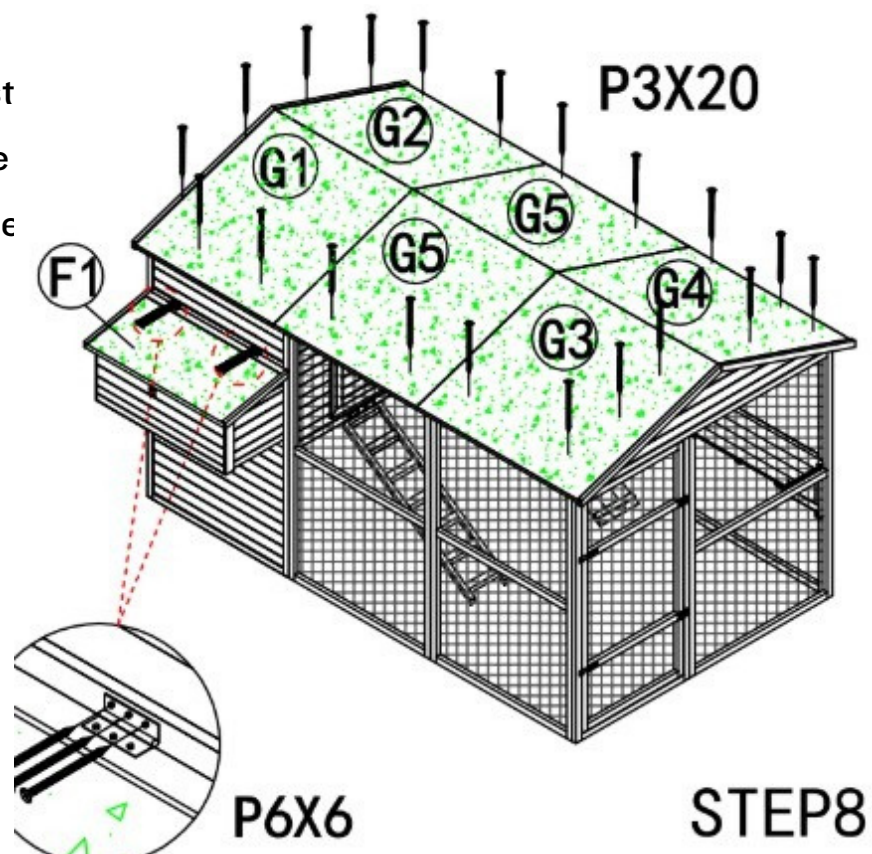
Attach The Roof Panels: Place the roof panels onto the assembled enclosure as shown. Make sure the timber-capped edges are positioned at the ends, and the angled edges meet at the top.

Locate the predrilled holes on each roof panel, then use screws P3 x 20 to attach.

Attach The Nest Box Lid:

Align the nest box lid over the nest box area, ensuring the latches line up and the lid sits flush against the wall of the house.

Using screws P6 x 6, attach the hinges of the lid to the house section.



How to Assemble the Castle Step 9

PARTS

Parts required for step 9

G6 x 4, G7 x 2, G8 x 3

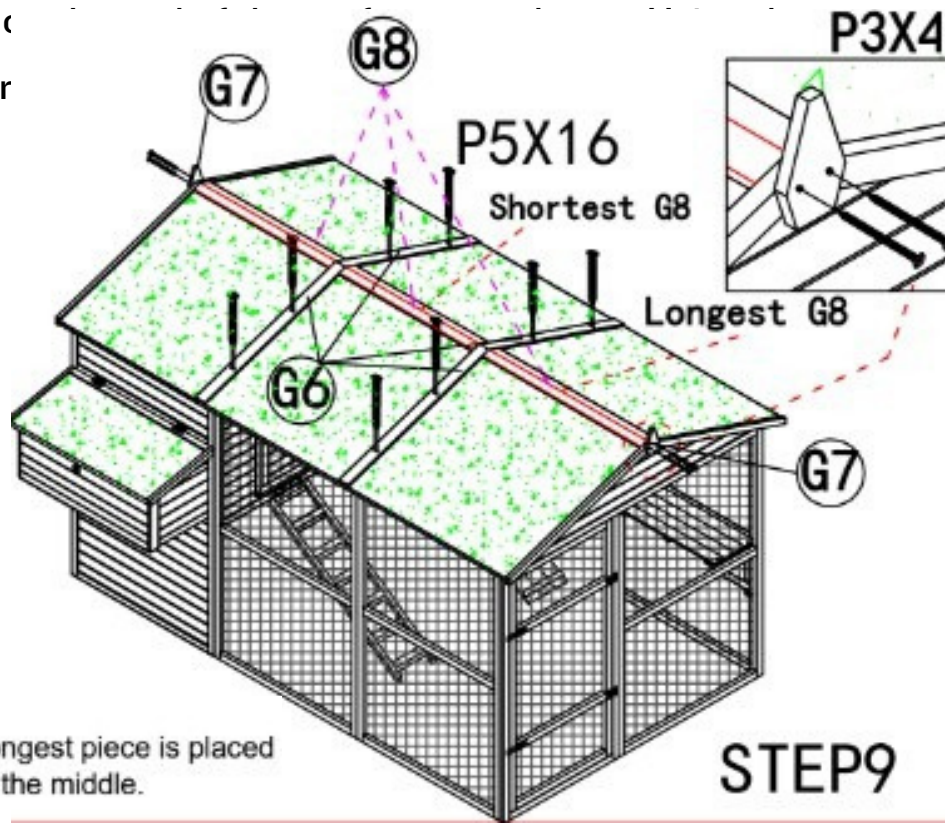
Screws

P5 x 16, P3 x 4

Attach The Roof Caps: Place roof caps G8 x 3 along the middle join of the roof as shown. Take note of the shortest length G8 and place this in the middle.

Next, place roof caps G6 x 4 along the vertical roof joins as shown. Locate the predrilled holes and use screws P5 x 16 to attach.

Attach The End Caps: Place G7 caps on the end of the roof along the predrilled holes, attach using screws P3 x 4.



Assembly notes.

The G8 has 3 lengths. See the sketch. The longest piece is placed at the bottom. The shortest piece is placed in the middle.

STEP9

How to Assemble the Castle Step 10

PARTS

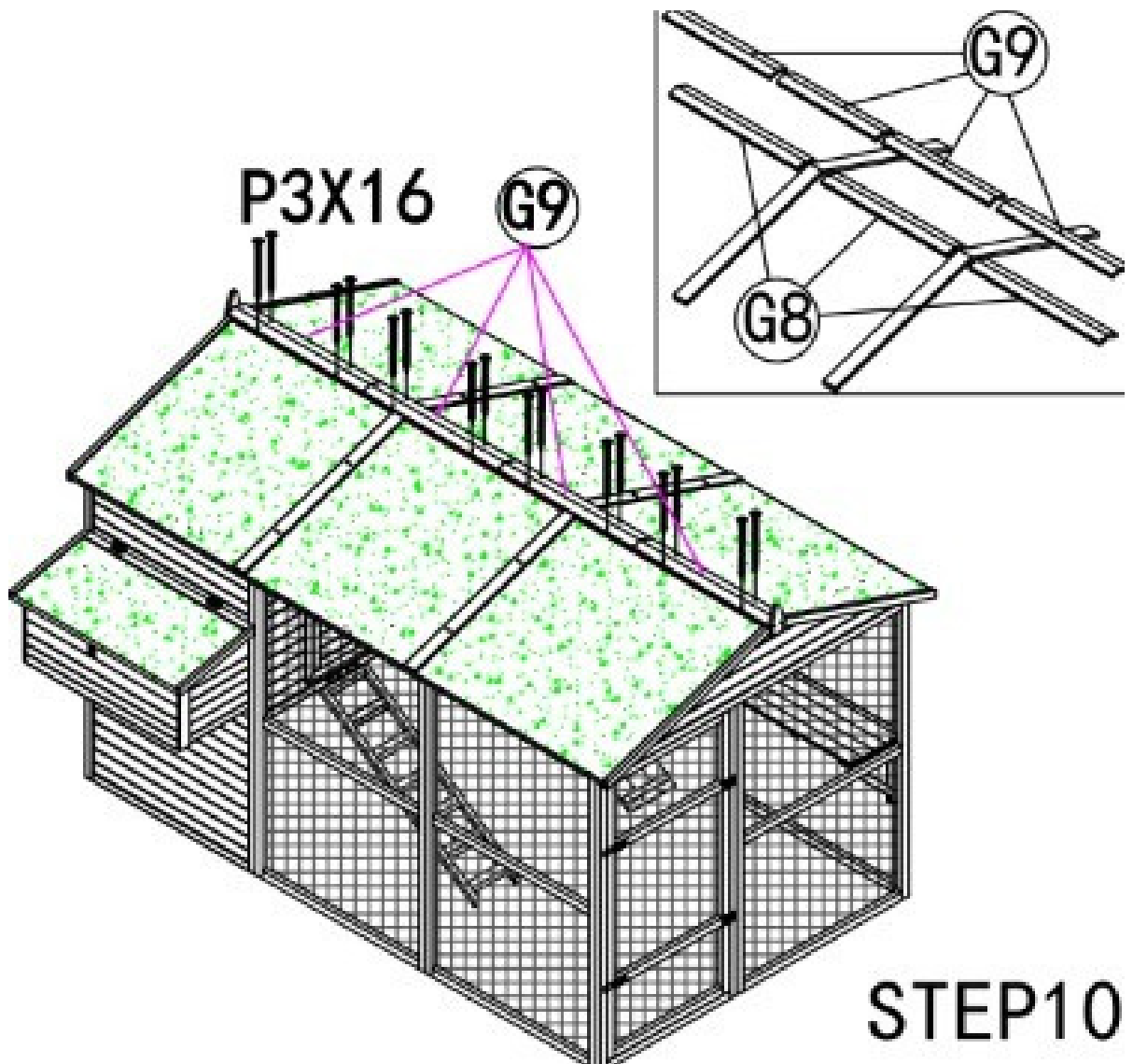
Parts required for step 10

G9 x 4

Screws

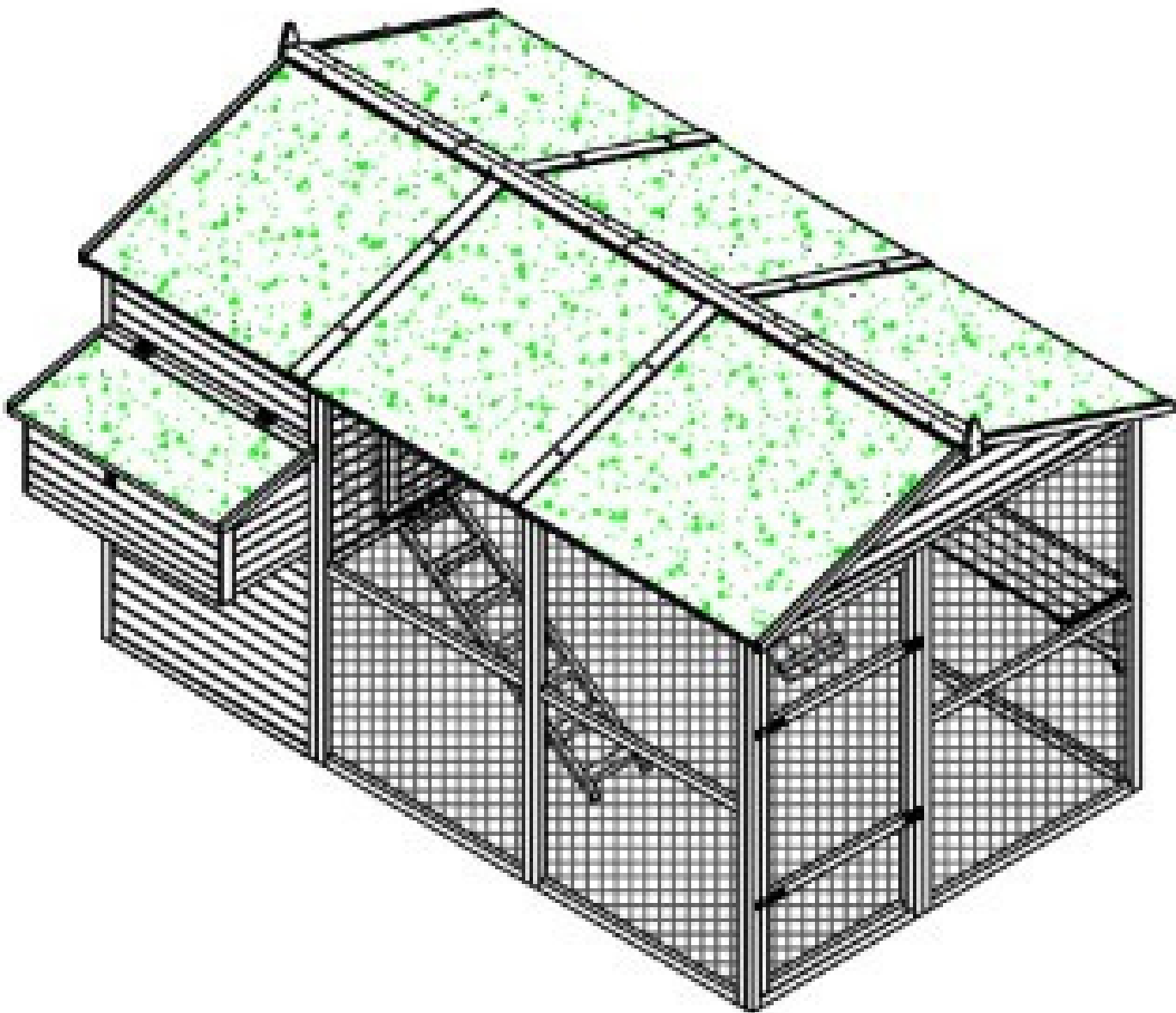
P3 x 16

Finish The Roof Caps: Place roof caps G9 x 4 over the 3 x G8 roof caps as shown. Locate the predrilled holes and use screws P3 x 16 to attach.



STEP10

Finished Castle



FINISH



FAQ

Frequently asked questions

Contact Information

Phone: 02 4340 4200

Email: info@somerzby.com.au

Customer Service Office Hours

Monday – Thursday: 9:00am – 4:30pm

Friday: 9:00am – 4:00pm

Saturday & Sunday: Closed

Public holidays: Closed

www.somerzby.com.au

#somerzby

