

CASTLE RUN

ASSEMBLY GUIDE



Welcome!

Congratulations on becoming an owner of a premium Somerzby product! We hope it brings you and your pet/s many years of enjoyment and contentment.

When your flat pack arrives, please check all items for any damage that might have occurred in transit.



02 4340 4200

info@somerby.com.au

What you will need







You'll need a battery-powered screwdriver or drill with a Phillips head bit, as well as a flat, level surface to ensure proper alignment of all doors during assembly.

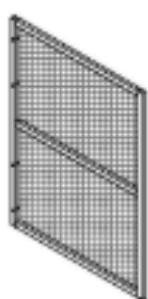
Important Things To Note



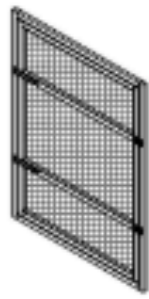
1. The instructions and screws can be found in carton #1.
2. When joining two panels, the 1st panel has a guide hole to show where the screw goes. The 2nd panel does not have a predrilled hole. The screw goes directly into the solid timber and forms a tighter join.
3. You may notice a shiny or powdery residue on the panels; this is crystallised sap from the natural wood-drying process. It's completely safe for pets and people and can be wiped off or left as is.

Check list

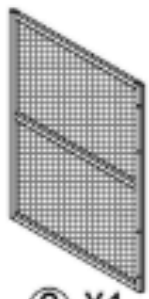
P1	 3.5×60mm	64pcs+1 spare	P2	 3.5×50mm	28pcs+1 spare
P3	 3.5×45mm	16pcs+1 spare	P4	 3.5×40mm	26pcs+1 spare



Ⓐ X1



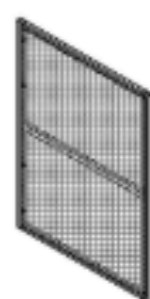
Ⓑ X1



Ⓒ X1



Ⓓ X1



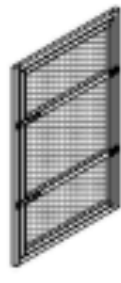
Ⓔ X1



Ⓕ X1



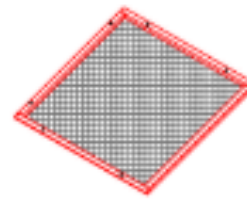
Ⓖ X4



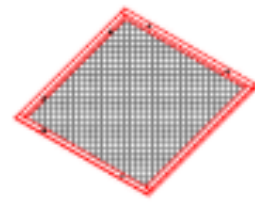
Ⓗ X1



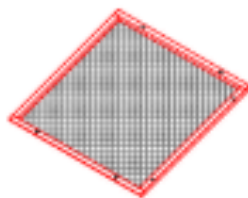
Ⓘ X1



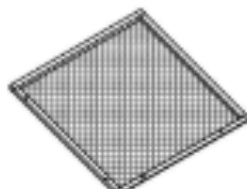
Ⓙ X1



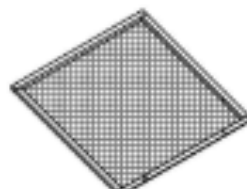
Ⓚ X1



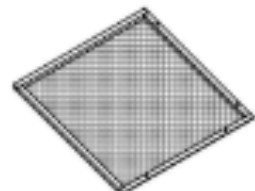
Ⓛ X1



Ⓜ X1



Ⓝ X1



Ⓞ X1



Ⓚ X3



Ⓡ X4



Ⓢ X2



Ⓣ X2

How to Assemble the Castle Run Step 1

PARTS

Parts required for step 1

G x 4, H, I, T x 2, S

Screws

P1 x 32

Assemble The End Sections

Align I x G with I as shown, take note of the predrilled hole locations and ensure the stapled side of the wire is facing the same way. Locate the predrilled holes along the inner door edge of I and use screws P1 x 4 to attach. Repeat this step on the opposite side of I using I more G panel.

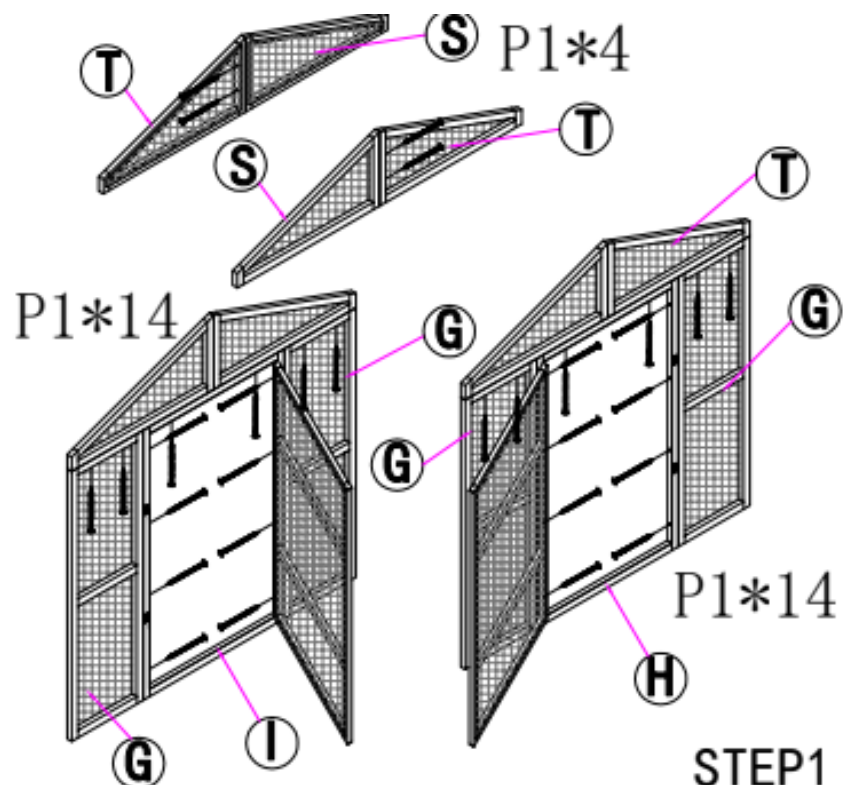
Next align I x T with I x S as shown, ensuring the stapled side of the wire faces the same way. Locate the predrilled holes along the inner edge of T and use screws P1 x 2 to attach.

Repeat with the other T and S panels.

Place the combined T & S panel on top of the assembled door panel end.

Locate the predrilled holes along the upper edge of G and I, and use screws P1 x 6 to attach.

Repeat these steps with panels G and H.



How to Assemble the Castle Run Step 2

PARTS

Parts required for step 2

A, C, D, F, H

Screws

P3 x 16

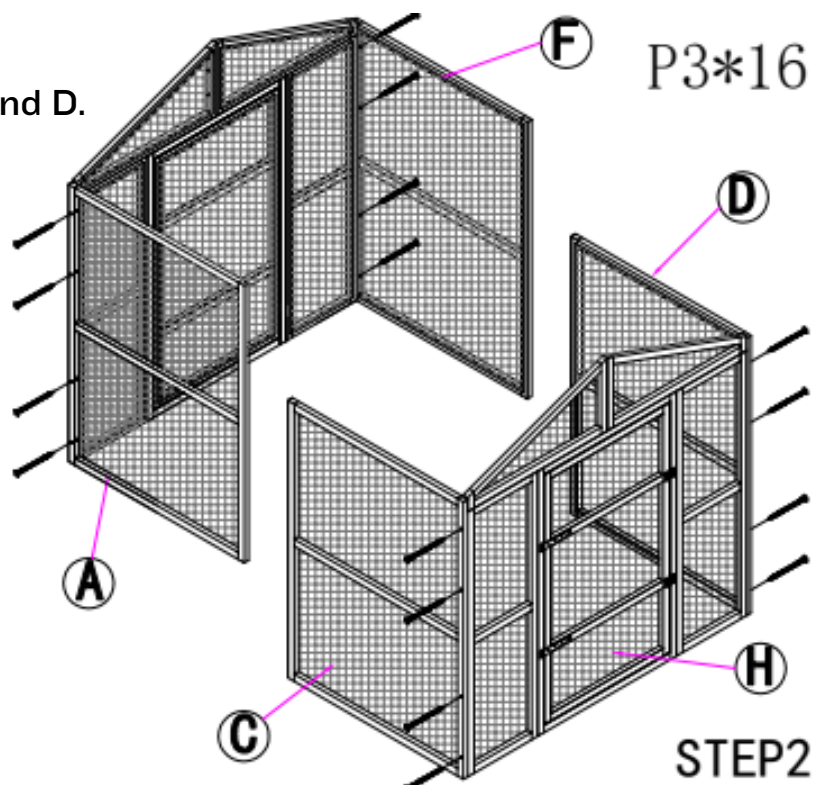
Assembling The Sides

Place panel A next to the assembled run section G as shown. Ensure the stapled wire side is facing in and the door latch faces out.

Locate the predrilled holes along the edge of panel A and use screws P3 x 4 to attach.

Next, place panel F on the opposite side. Locate the predrilled holes along the edge of panel F and use screws P3 x 4 to attach.

Repeat these steps with panels H, C and D.



How to Assemble the Castle Run Step 3

PARTS

Parts required for step 3

B, E

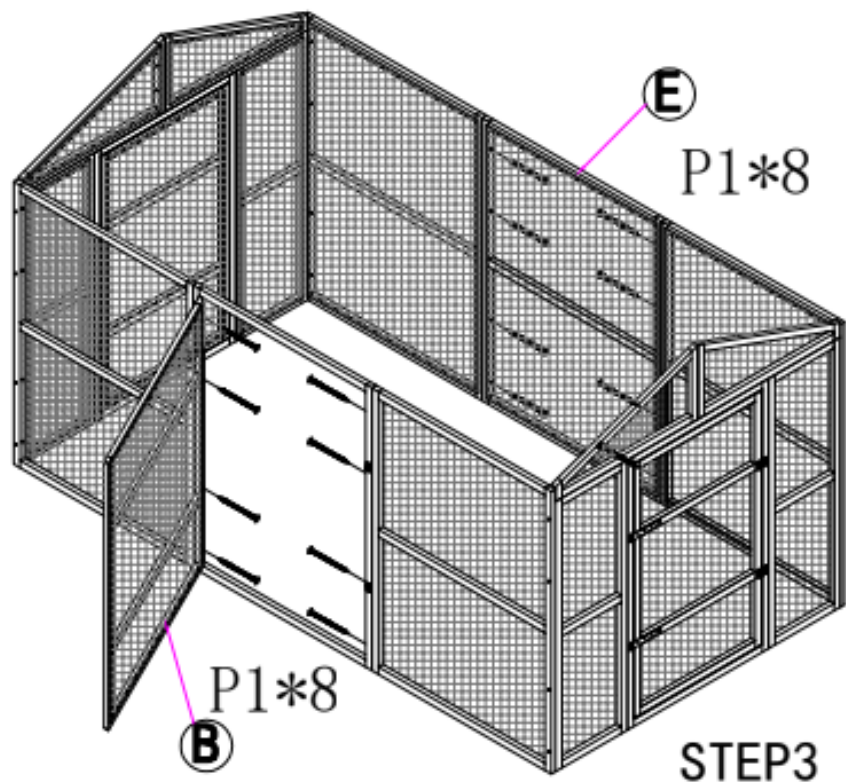
Screws

P1 x 16

Attach The Side Doors

Align panel B next to A. Open the door and locate the predrilled holes along the inner edge. Use screws P1 x 4 to attach. Next, align panel B with C, locate the predrilled holes along the inner edge of B and use screws P1 x 4 to attach.

Repeat on the opposite side to attach panel E to D and F.



How to Assemble the Castle Run Step 4

PARTS

Parts required for step 4

J, K, N, O, Q x 2, R

Screws

P2 x 24, P4 x 16

Attach The Roof Panels:

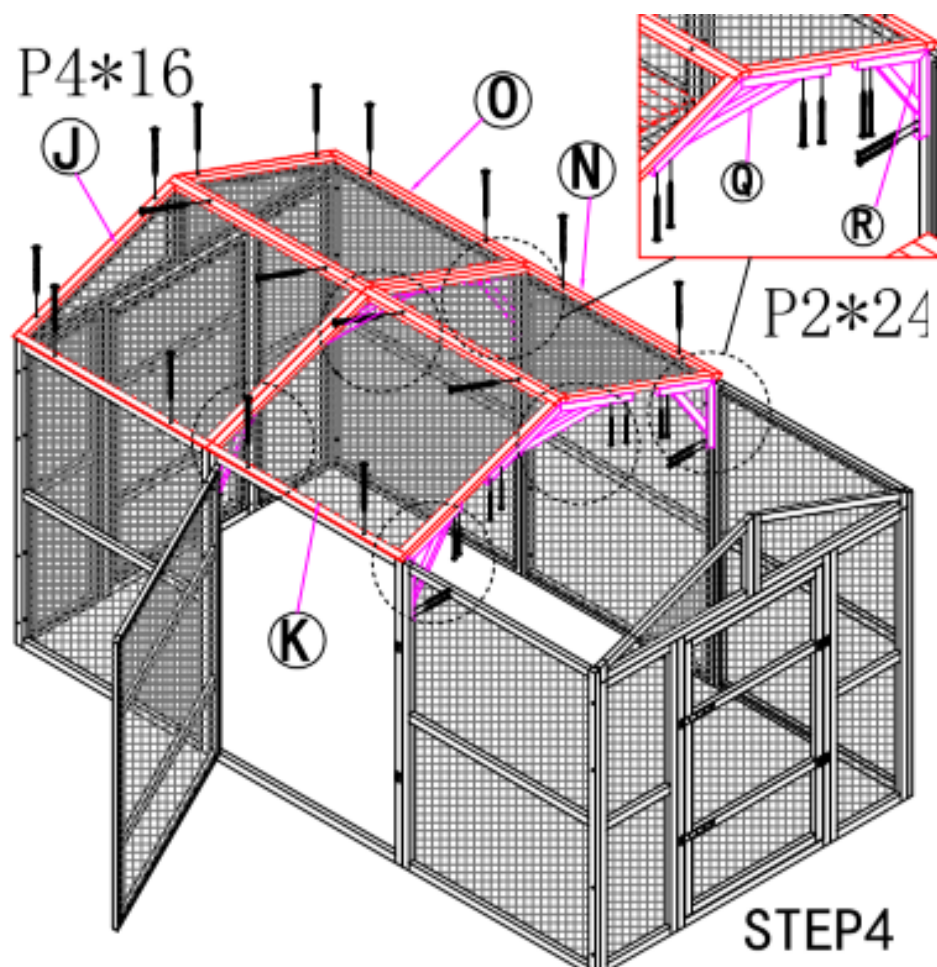
Place roof panel J over the edges of the enclosure as shown, with the stapled wire side facing down. Locate the predrilled holes and use screws P4 x 4 to attach. Repeat with panel O.

Next, locate the predrilled holes along the top edge of panel J and use screws P4 x 2 to attach.

Attach The Brackets:

Position bracket Q beneath the highest point where the two roof panels meet. Use screws P2 x 4 to attach. Then, place 2 x bracket R in the corner joins as shown. Use screws P2 x 4 to secure.

Repeat with roof panels K & N and brackets Q & R x 2 to form the middle roof panels.



How to Assemble the Castle Run Step 5

PARTS

Parts required for step 5

L, M

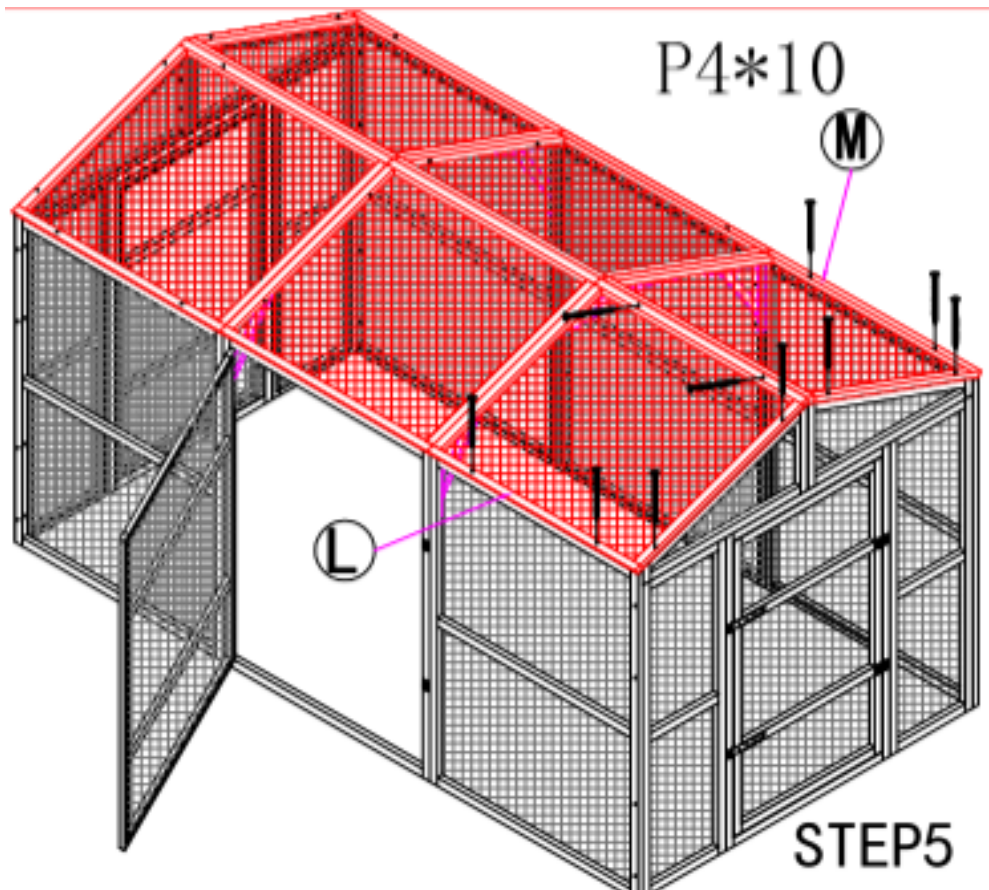
Screws

P4 x 10

Finish The Roof Panels:

Place roof panel L over the edges of the enclosure as shown, with the stapled wire side facing down. Locate the predrilled holes and use screws P4 x 4 to attach. Repeat with panel M.

Next, locate the predrilled holes along the top edge of panel L and use screws P4 x 2 to attach.



How to Assemble the Castle Run Step FINISH

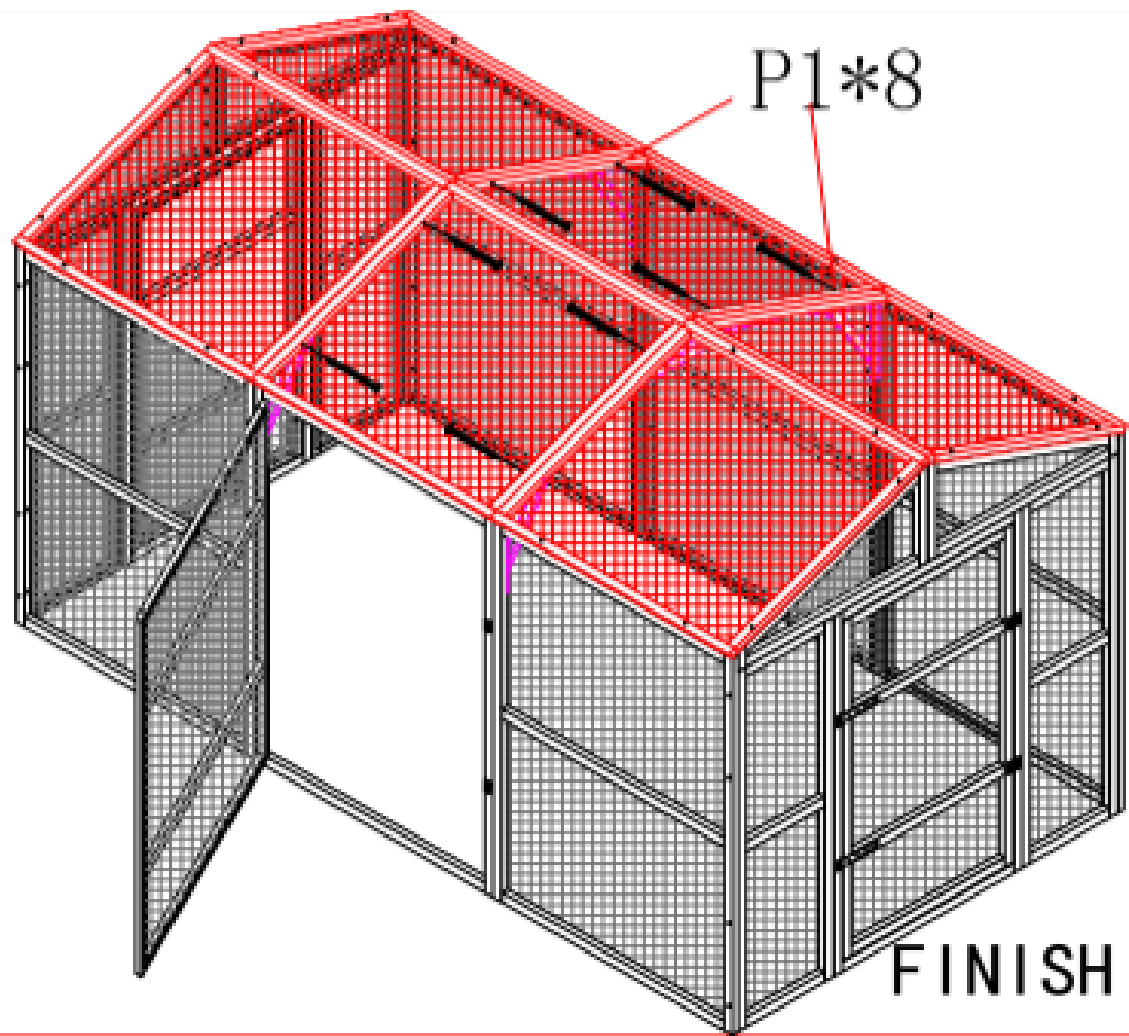
PARTS

Screws required for step FINISH

Join The Roof Panels Together:

Locate the predrilled holes along the inner edges of the middle roof panels.

Use screws P1 x8 to attach.



How to Install The Castle Run To The Coop

PARTS

Parts required

Q

Screws required

P2 x 4, P1 x 8

Note: This step is only required if you have purchased the **Castle Enclosure**

Attaching the Run to the Castle Enclosure

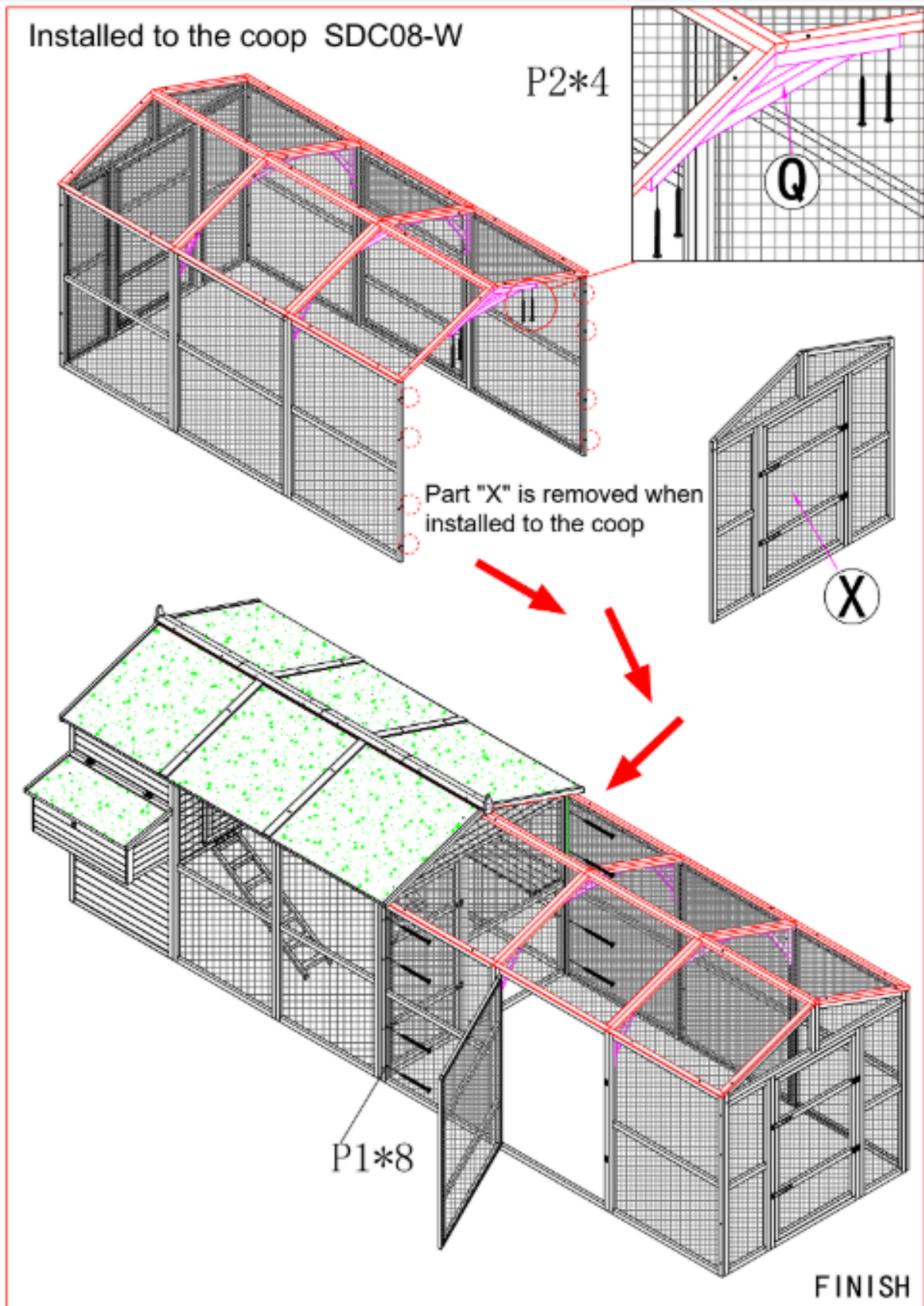
Using a powered screwdriver, remove the screws to detach part X from the end of the run.

Position bracket Q beneath the highest point of the two end roof panels as shown. Using the predrilled holes, use screws P2 x 4 to attach.

Next align the open end of the run with the enclosure as shown in the diagram.

Use screws P1 x 8 to secure the run to the enclosure through the predrilled holes along the inside edge of the run.

How to Attach the Castle Run To The Castle- Continued





FAQ

Frequently asked questions

Contact Information

Phone: 02 4340 4200

Email: info@somerzby.com.au

Customer Service Office Hours

Monday – Thursday: 9:00am – 4:30pm

Friday: 9:00am – 4:00pm

Saturday & Sunday: Closed

Public holidays: Closed

www.somerzby.com.au

#somerzby

