

CONDO ASSEMBLY GUIDE



Welcome!

Congratulations on becoming an owner of a premium Somerzby product! We hope it brings you and your pet/s many years of enjoyment and contentment.

When your flat pack arrives, please check all items for any damage that might have occurred in transit.



02 4340 4200

info@somerby.com.au

What you will need








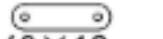
You'll need a battery-powered screwdriver or drill with a Phillips head bit, as well as a flat, level surface to ensure proper alignment of all doors during assembly.

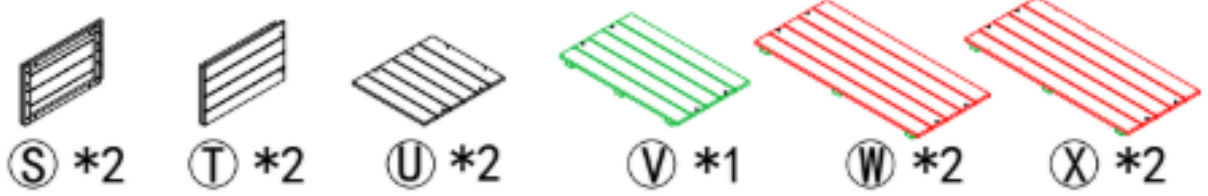
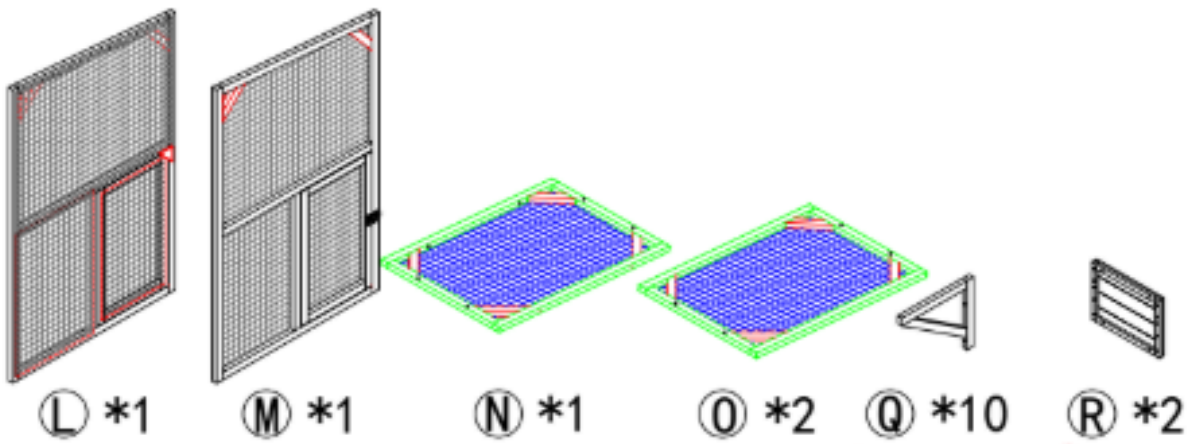
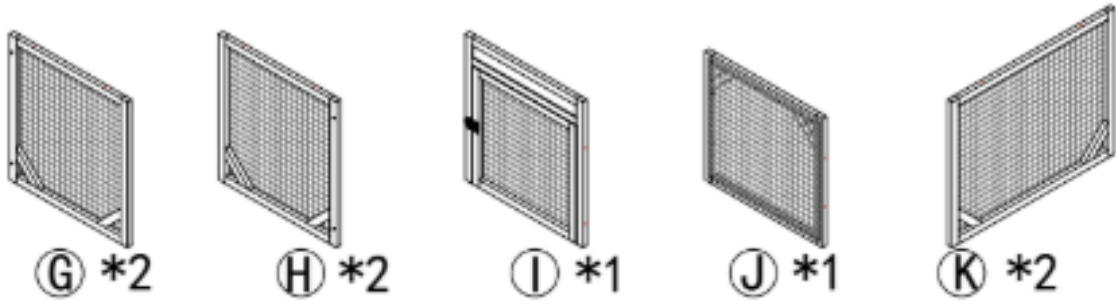
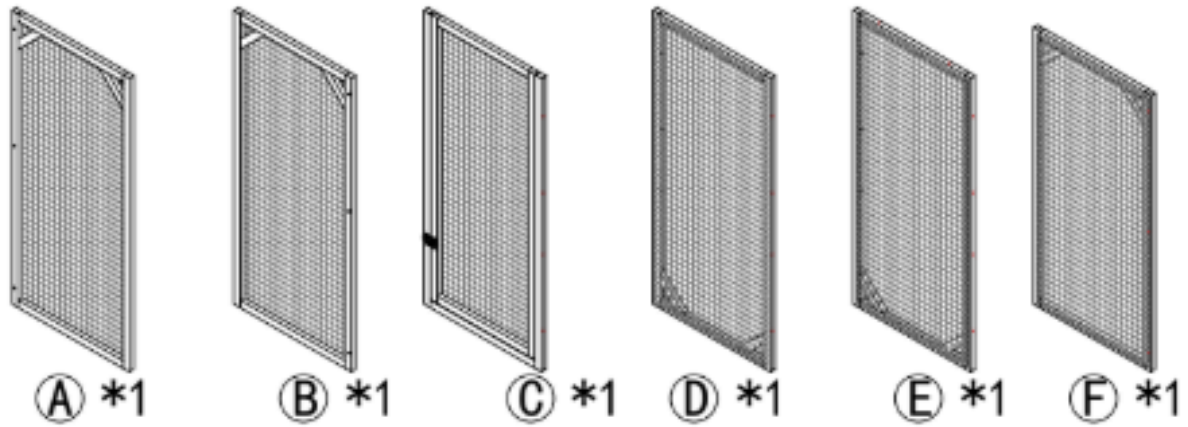
Important Things To Note



- The instructions and screws can be found in carton #1.
- A strong smell may be present when opening. This is the natural timber scent and is not harmful to humans or animals. It will fade over time, especially when placed outdoors.
- When joining two panels, the 1st panel has a guide hole to show where the screw goes. The 2nd panel does not have a predrilled hole. The screw goes directly into the solid timber and forms a tighter join.
- You may notice a shiny or powdery residue on the panels; this is crystallised sap from the natural wood-drying process. It's completely safe for pets and people and can be wiped off or left as is.

Check list

P1	 3.5×50mm	42pcs+1 spare	P2	 3.5×45mm	20pcs+1 spare
P3	 3.5×40mm	32pcs+1 spare	P4	 3.5×25mm	44pcs+1 spare
P5	 3×16mm	16pcs+1 spare	P6	 60×12mm	8pcs



How to Assemble the Condo Step I

PARTS

Parts required for step 1:

A, B, G x 1, H x 1

Screws:

P1 x 4

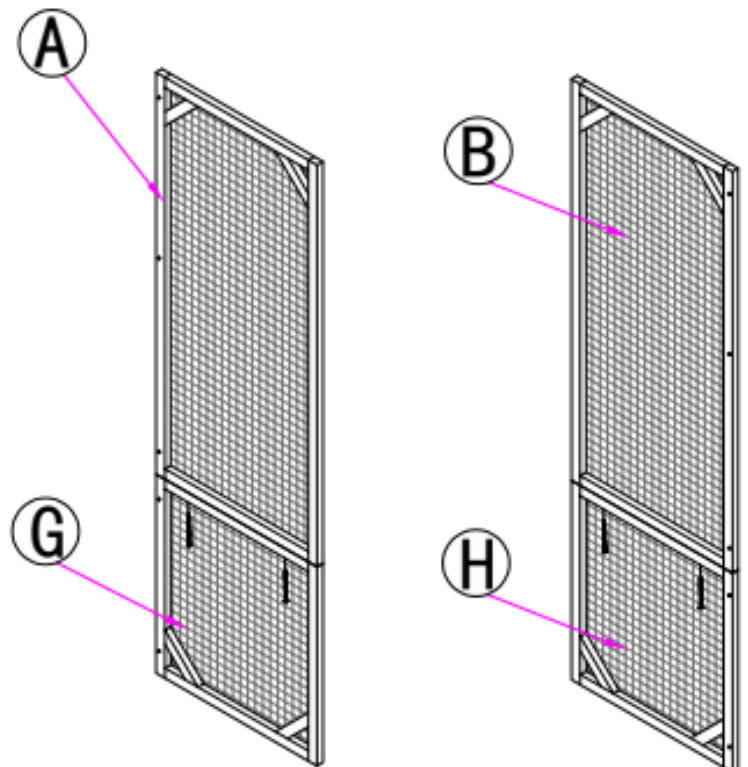
Assemble The Front:

Attach Panel A to G: Align panel A with panel G as shown, ensuring the stapled side of the wire faces the same way. Locate the predrilled holes along the upper edge of panel G. Use screws P1 x 2 to attach,

Attach Panel B to H: Align panel B with panel H as shown, ensuring the stapled side of the wire faces the same way.

Locate the pre-drilled holes along the upper edge of panel H.

Use screws P1 x 2 to attach,



P1*4

How to Assemble the Condo Step 2

PARTS

Parts required for step 2

C, I

Screws;

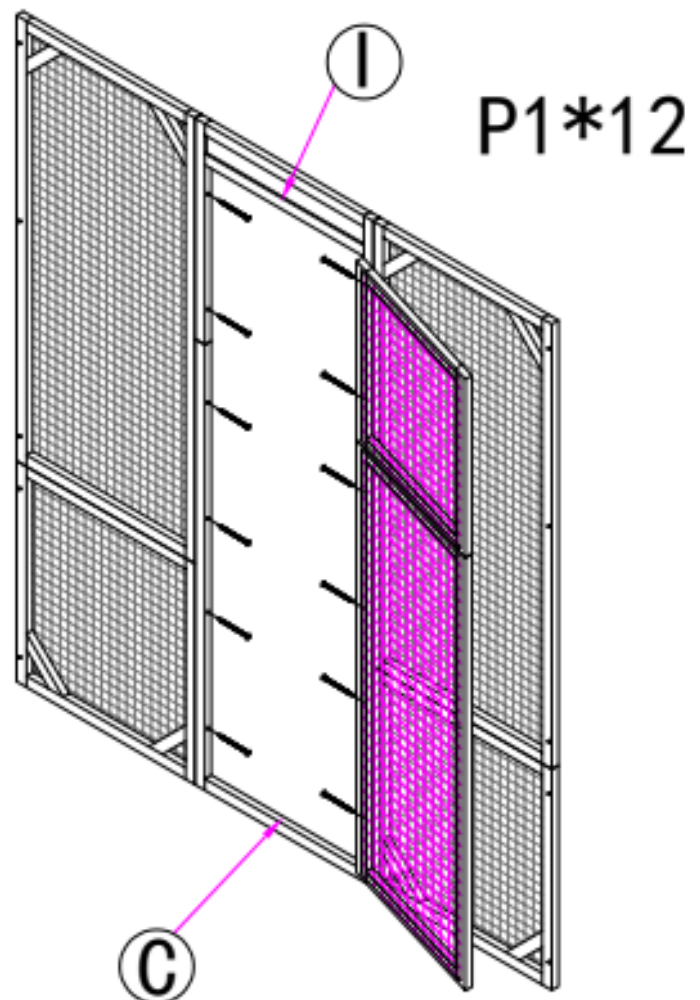
P1 x 12

Assemble The Front:

Align panel C between assembled panels A & G and B & H. Ensure the door is open, then locate the predrilled holes along the inner edges of C and use screws P1 x 8 to attach.

Next, align panel I above C as shown.

Ensure the door is open, then locate the predrilled holes along the inner edge of I and use screws P1 x 4 to attach.



How to Assemble the Condo Step 3

PARTS

Parts required for step 3:

D, E, F, G x 1, H x 1, J

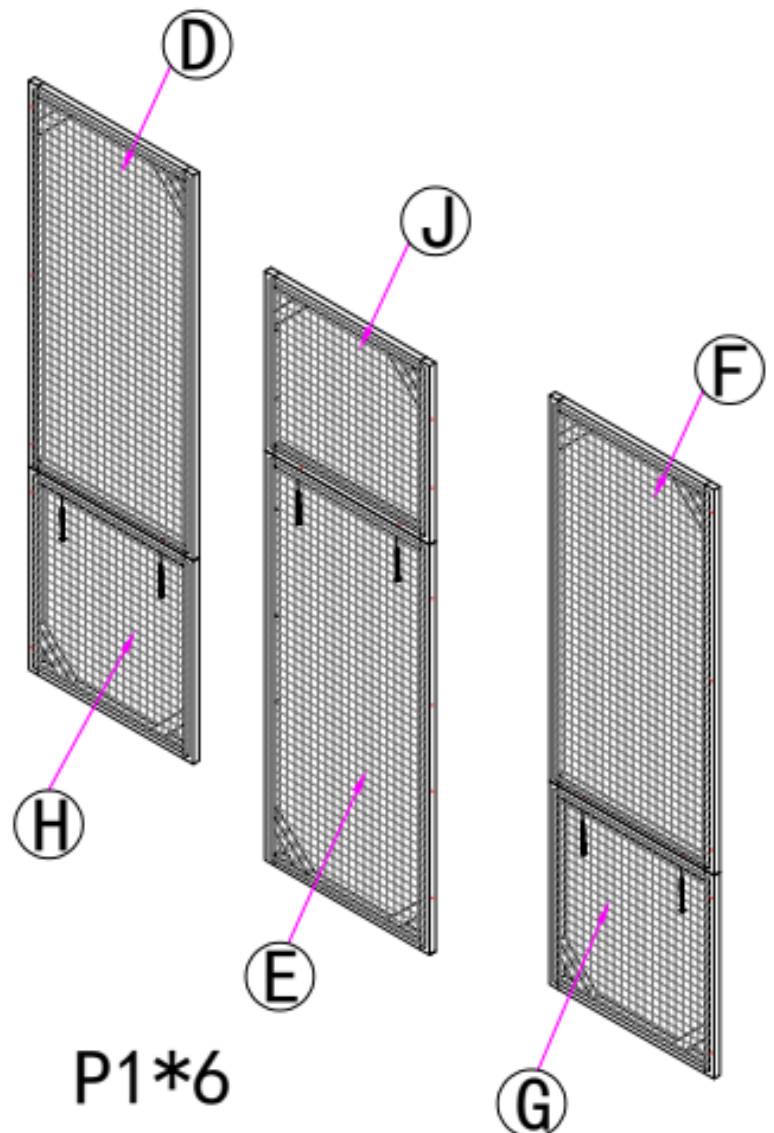
Screws:

P1 x 6

Assemble The Back:

Attach Panel D to H: Align panel D with panel H as shown, ensuring the stapled side of the wire faces the same way. Locate the predrilled holes along the upper edge of panel H. Use screws P1 x 2 to attach,

Repeat with panels E & J and G & F.



How to Assemble the Condo Step 4

PARTS

Parts required for step 4

Assembled back panels, Q, V

Screws

P1 x 12, P4 x 4

Join The Back Sections:

Align the 3 assembled back sections as shown, with E & J in the middle.

Locate the predrilled holes along the inner edges of E & J and use screws

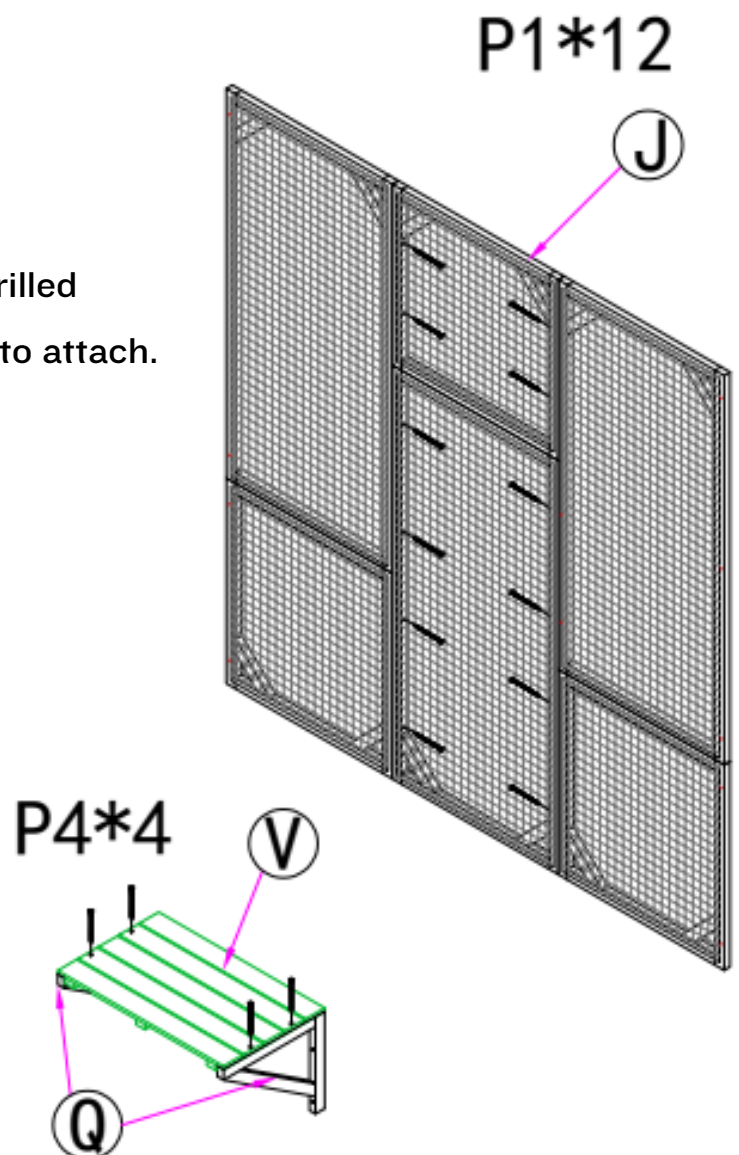
P1 x 12 to attach.

Assemble The Back Shelf:

Place 2 x bracket Q underneath

shelf panel V as shown. Locate the predrilled

holes on panel V and use screws P4 x 4 to attach.



How to Assemble the Condo Step 5

PARTS

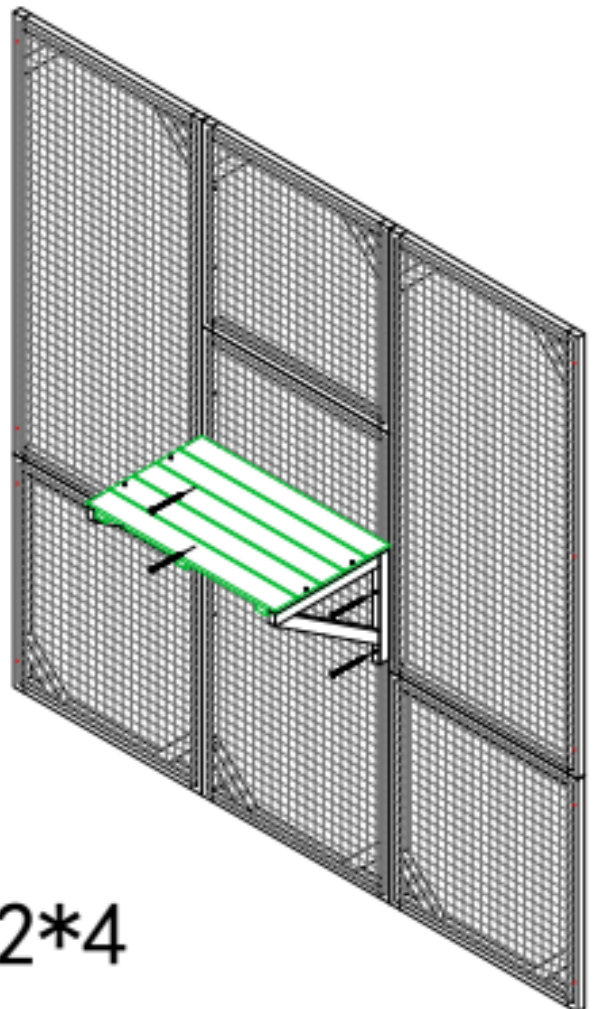
Parts required for step 5

Assembled shelf

Screws

P2 x 4

Attach The Shelf: Align the assembled shelf on the middle back panel as shown. Using the predrilled holes on the brackets, use screws P2 x 4 to attach to the frame.



How to Assemble the Condo Step 6

PARTS

Parts required for step 6

K x 2, L, M

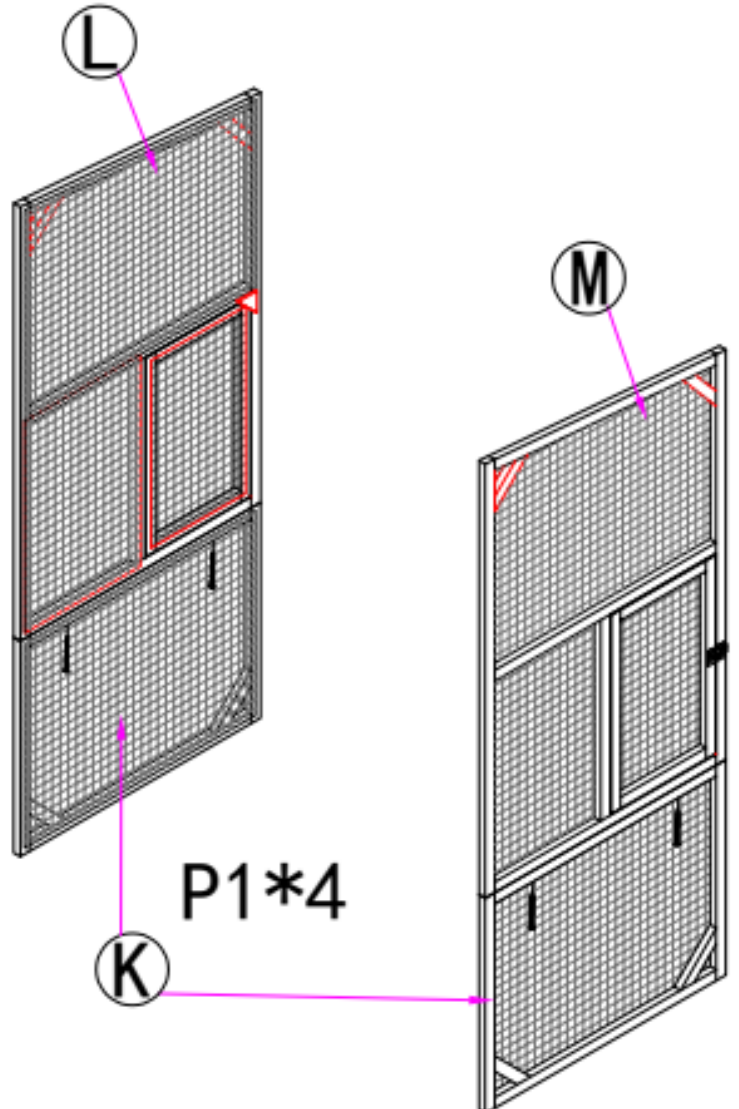
Screws

P1 x 4

Assemble The Sides:

Align I x K with panel L as shown, ensuring the stapled side of the wire faces the same way. Locate the predrilled holes along the upper edge of panel K. Use screws P1 x 2 to attach,

Repeat with panels K and M.



How to Assemble the Condo Step 7

PARTS

Parts required for step 7

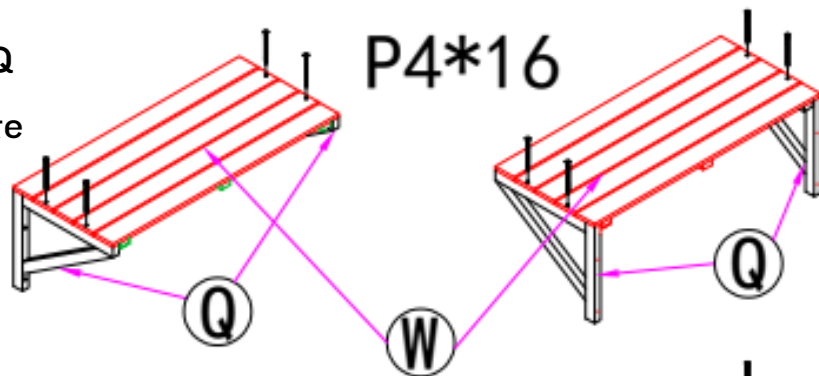
W x 2, X x 2, Q x 8, S x 2, R x 2, T x 2

Screws

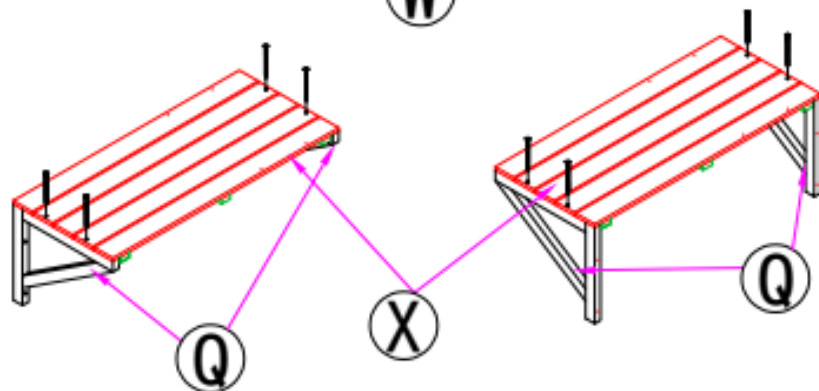
P4 x 24

Note: Panels W and X can be differentiated by the extra predrilled holes on the top of panel X.

Assemble The Shelves: Place 2 x bracket Q underneath shelf panel W as shown. Locate the predrilled holes on top of panel W and use screws P4 x 4 to attach. Repeat with the other shelf W.

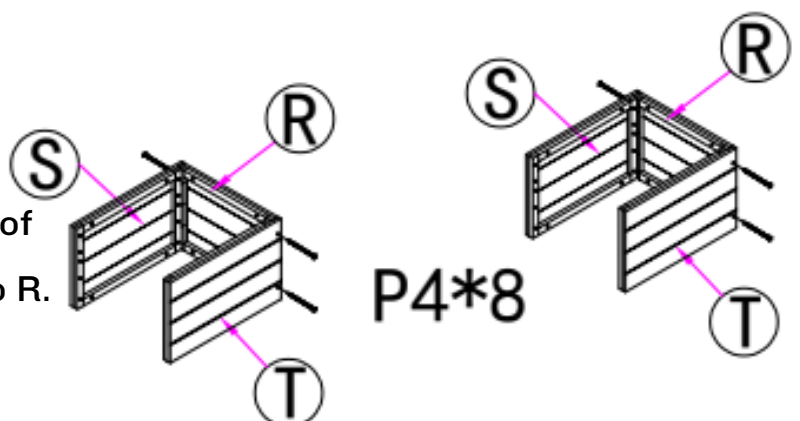


Next, place 2 x bracket Q underneath shelf panel X as shown. Locate the predrilled holes on panel X and use screws P4 x 4 to attach. Repeat with the other shelf X.



Create The Boxes: On a flat surface, align panels R, S, T as shown.

Locate the predrilled holes along the edge of S and T and use screws P4 x 4 to attach to R. Repeat with the remaining R, S and T.



How to Assemble the Condo Step 8

PARTS

Parts required for step 8

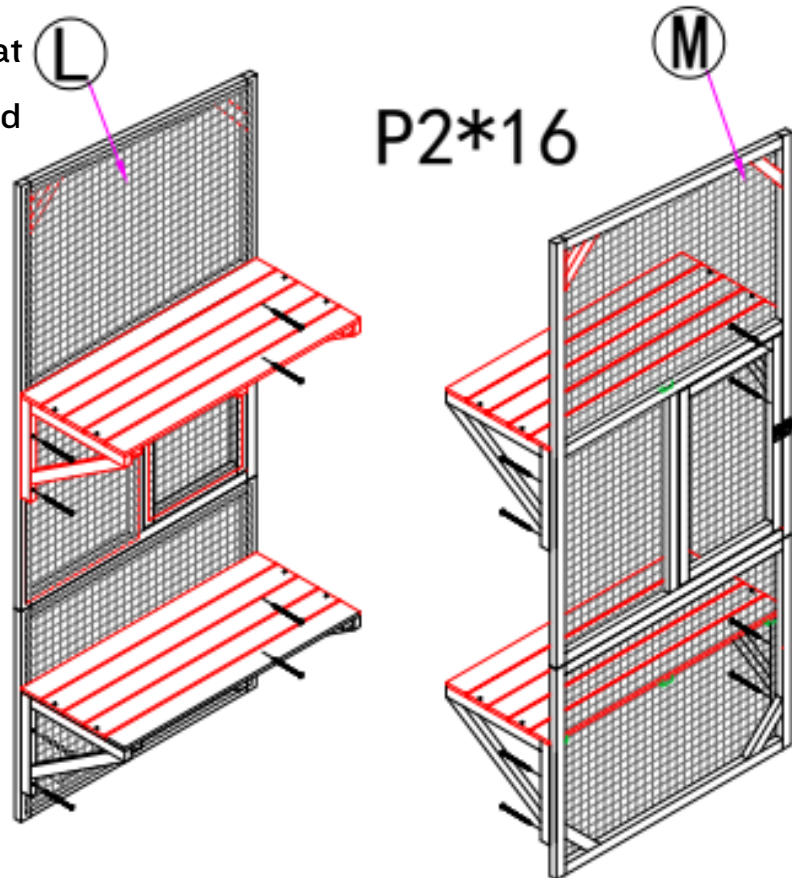
Assembled sides, assembled shelves, U
x 2

Screws

P2 x 16, P4 x 12

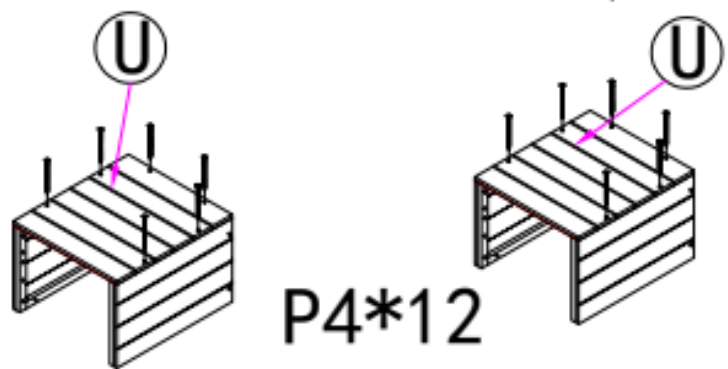
Attach The Shelves:

Align the 4 assembled shelves onto the side frames as shown. Ensure shelves W are at the top and shelves X are at the bottom. (Note: Panels X have 4 predrilled holes on the top. Locate the predrilled holes on the brackets and use screws P2 x 16 to attach.



Complete The Boxes:

Place part U on top of the assembled box sides as shown. Locate the predrilled holes and use screws P4 x 12 to attach.



How to Assemble the Condo Step 9

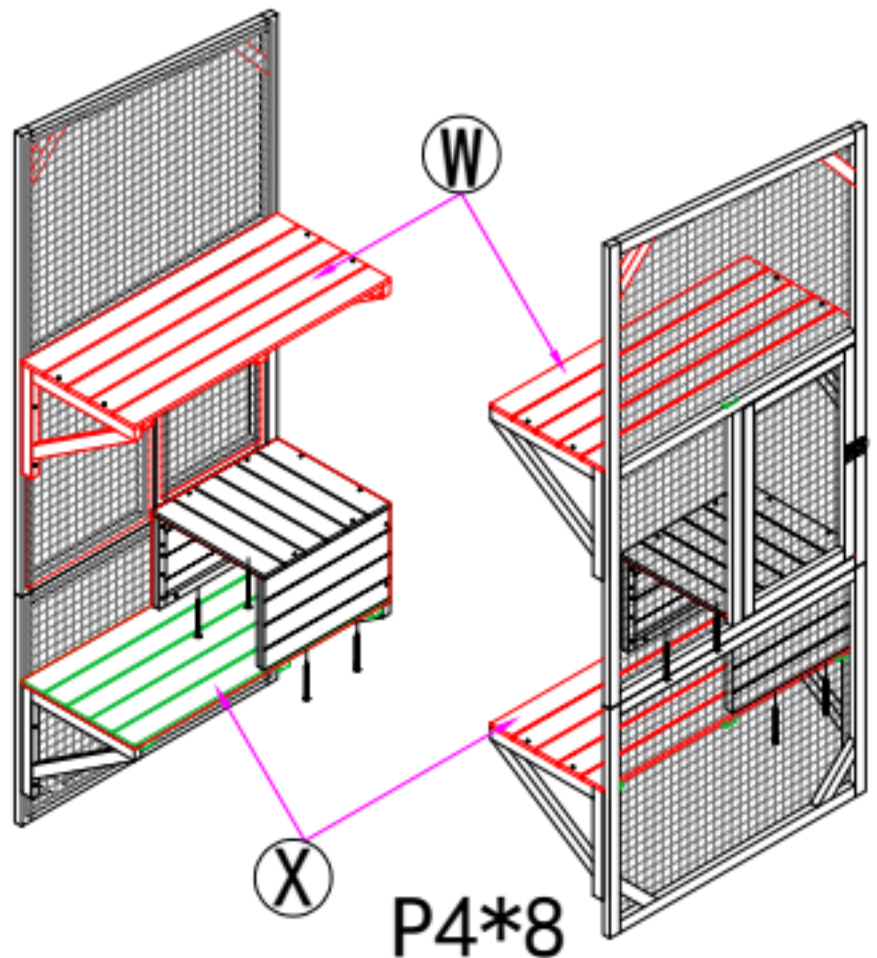
PARTS

Parts required for step 9
Assembled sides and boxes

Screws
P4 x 8

Attach The Boxes:

Place the assembled boxes on the shelves as shown. Locate the predrilled holes underneath the shelves X, then use screws P4 x 8 to attach.



How to Assemble the Condo Step 10

PARTS

Parts required for step 10

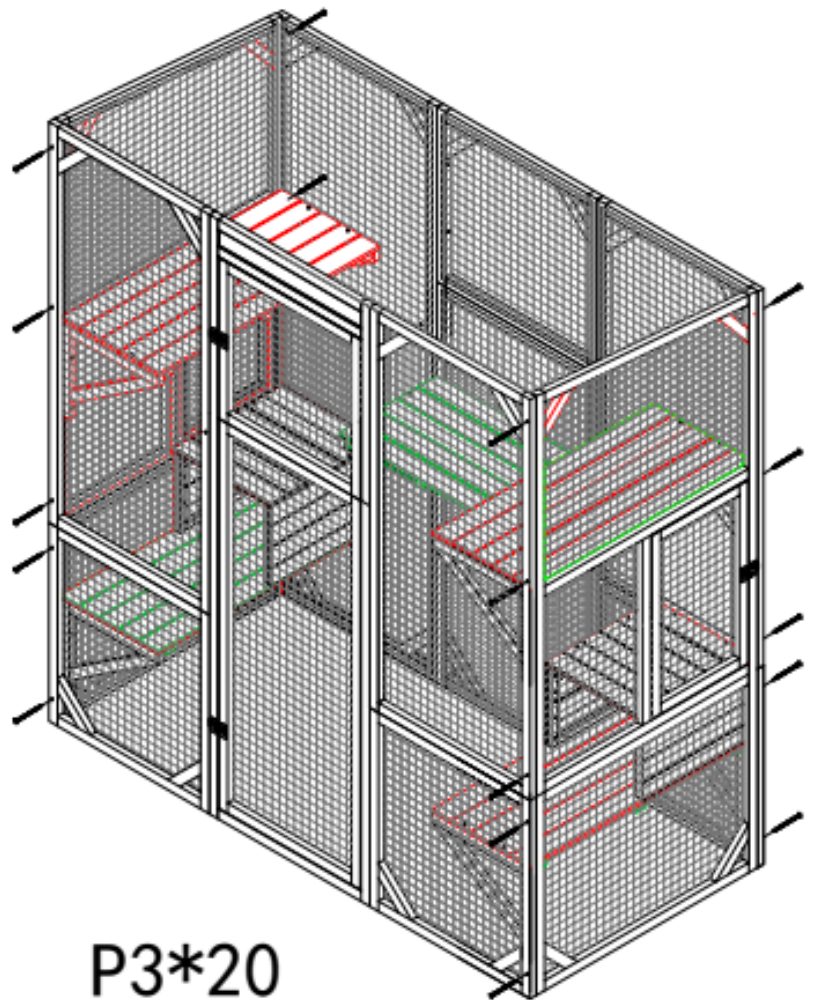
All assembled sides

Screws

P3 x 20

Join The Sides:

Assemble the sides together as shown. Locate the predrilled holes along the edges and use screws P3 x 20 to attach.



STEP10

How to Assemble the Condo Step II

PARTS

Parts required for step 11

O x 2, N

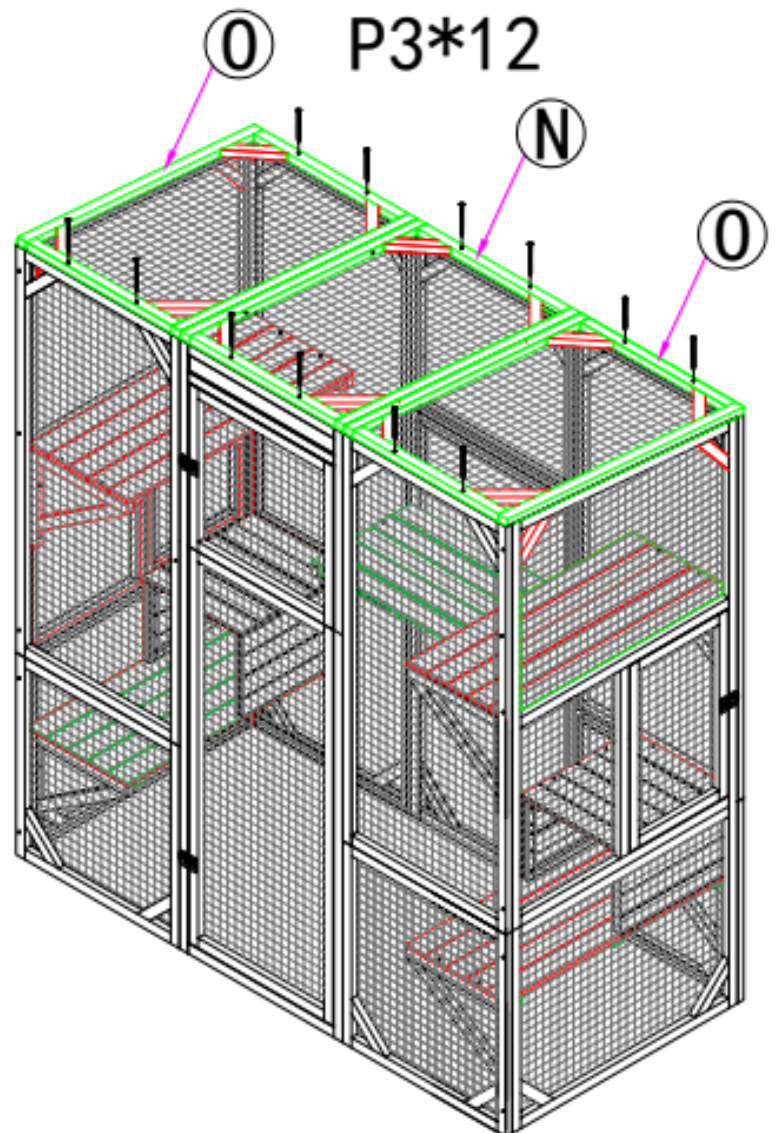
Screws

P3 x 12

Attach The Roof:

Assemble the roof panels over the enclosure, taking note of the predrilled holes with both panel O's on the outer edges and N in the middle.

Using the predrilled holes, use screws P3 x 12 to attach.



How to Assemble the Condo Step FINISH

PARTS

Parts required for step 12

P6 x 8

Screws

P5 x 16, P1 x 4

Screw The Roof Panels Together:

Locate the predrilled holes along the inner edges of middle roof panel N.

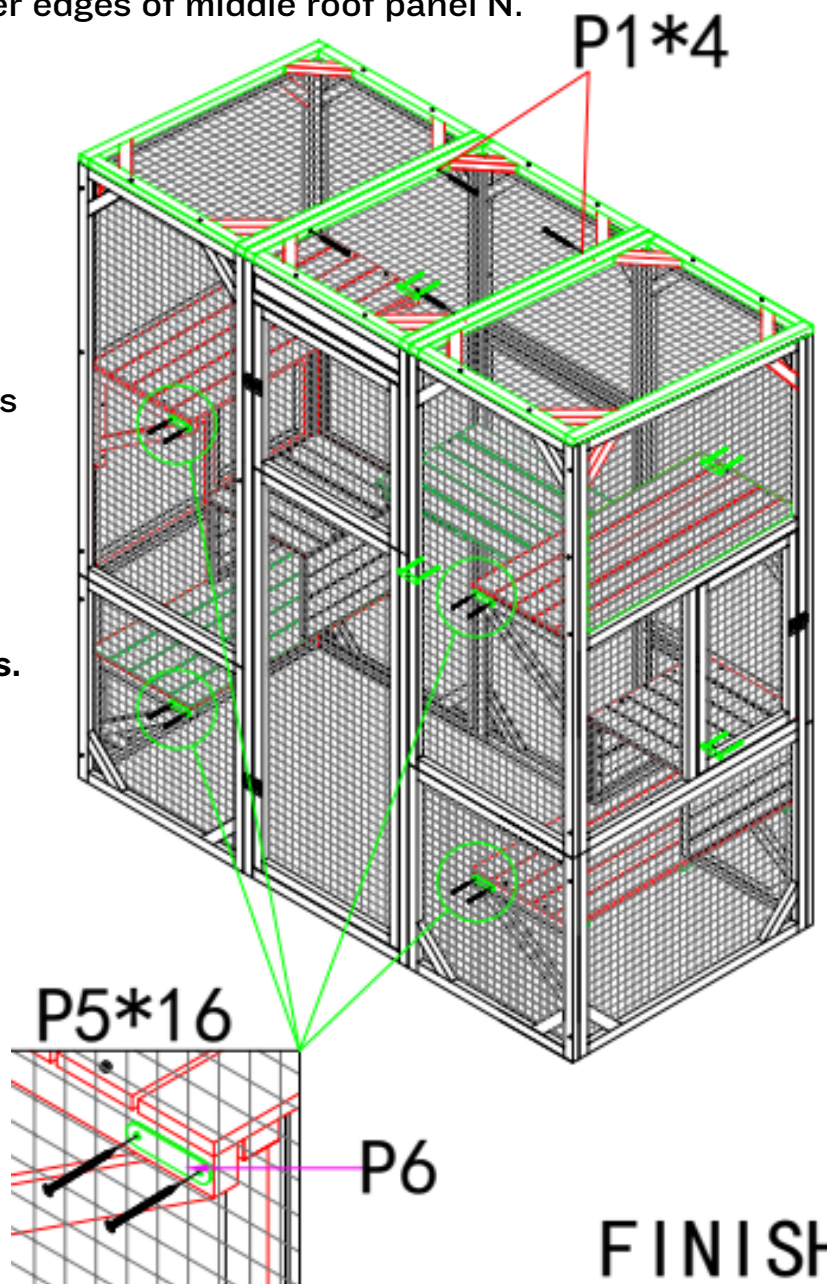
Use screws P1 x 4 to attach.

Secure The Shelves to The Wire:

Align part P6 on the outside of the wire in line with the edge of the shelf.

Using screws P5, screw through the holes of P6 to attach to the shelves.

Optional: Place the shade covering over the top of the roof. Secure with cable ties.





FAQ

Frequently asked questions

Contact Information

Phone: 02 4340 4200

Email: info@somerzby.com.au

Customer Service Office Hours

Monday – Thursday: 9:00am – 4:30pm

Friday: 9:00am – 4:00pm

Saturday & Sunday: Closed

Public holidays: Closed

www.somerzby.com.au

#somerzby

