

COTTAGE

ASSEMBLY GUIDE



Welcome!

Congratulations on becoming an owner of a premium Somerzby product! We hope it brings you and your pet/s many years of enjoyment and contentment.

When your flat pack arrives, please check all items for any damage that might have occurred in transit.



02 4340 4200

info@somerby.com.au

What you will need



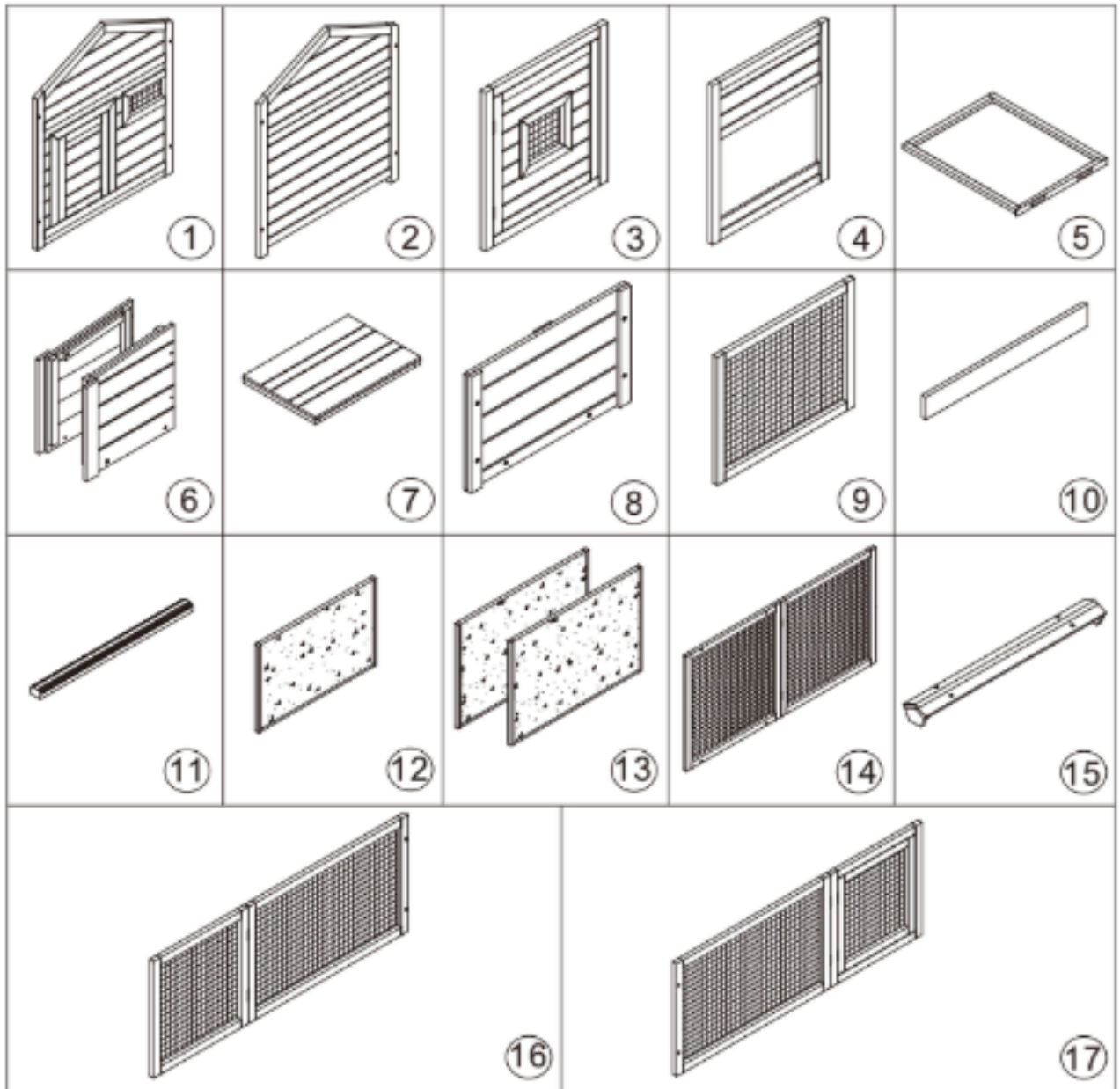
You'll need a battery-powered screwdriver or drill with a Phillips head bit, as well as a flat, level surface to ensure proper alignment of all doors during assembly.







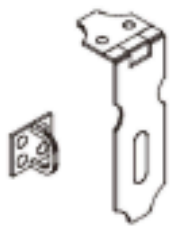




Important Things To Note



1. The instructions and screws can be found in carton #1.
2. A strong smell may be present when opening. This is the natural timber scent and is not harmful to humans or animals. It will fade over time, especially when placed outdoors.
3. When joining two panels, the 1st panel has a guide hole to show where the screw goes. The 2nd panel does not have a predrilled hole. The screw goes directly into the solid timber and forms a tighter join.
4. You may notice a shiny or powdery residue on the panels; this is crystallised sap from the natural wood-drying process. It's completely safe for pets and people and can be wiped off or left as is.

Check list



<p>Ⓐ  3.5*50 4PCS</p>	<p>Ⓑ  3.5*35 20PCS</p>	<p>Ⓒ  3.5*30 8PCS</p> <p>Ⓓ  3.5*25 14PCS</p> <p>Ⓔ  3.0*14 34PCS</p> <p>Ⓕ  3PCS</p> <p>Ⓖ  2PCS</p>
<p>Ⓒ  3.5*30 8PCS</p>	<p>Ⓓ  3.5*25 14PCS</p>	
<p>Ⓔ  3.0*14 34PCS</p>	<p>Ⓕ  3PCS</p>	

How to Assemble the Cottage - Step 1

PARTS

Parts required for step 1

1, 2, 3, 4, 5

Screws required for step 1

B x 8, E x 12, F x 2

Assemble The House Section:

Using the guide dowels, align panels 1 and 3 as shown. Locate the predrilled holes along the edge of panel 1 and use screws B x 2 to attach.

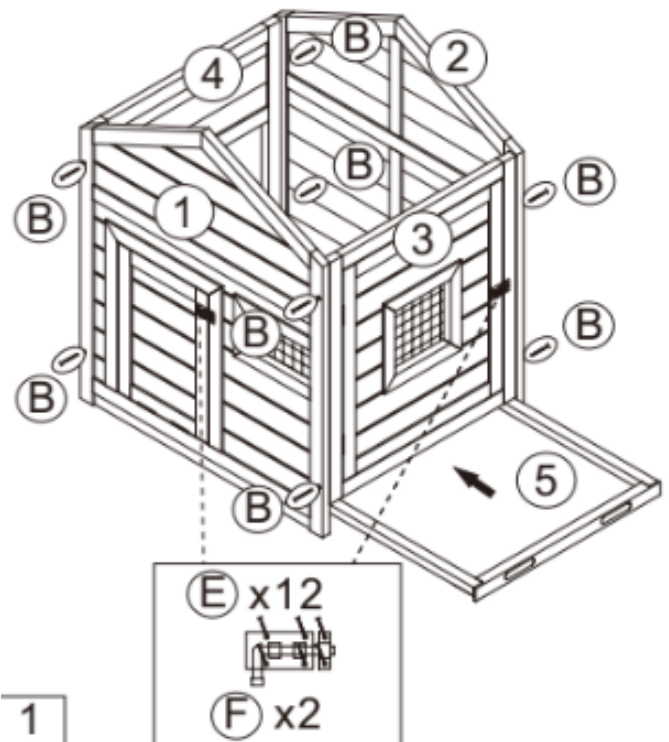
Then, align panel 2 with panel 3 using the guide dowels. Attach screws B x 2 through the predrilled holes on panel 2.

Next, using the guide dowels place panel 4 between panel 1 and 2. Use screws B x 4 to attach through the predrilled holes on panels 1 and 2.

Attach The Door Latches:

Attach latches F to the door panel edges on panels 1 and 3. Secure each latch using screws E x 12 through the latch holes.

Insert The Tray: Slide tray panel 5 into the slot under panel 3, onto the internal guide rails. Ensure the handles face out.



How to Assemble the Cottage - Step 2

PARTS

Parts required for step 2

6 x 2, 7, 10, 11

Screws required for step 2

D x 8

Insert The Roosting Pole:

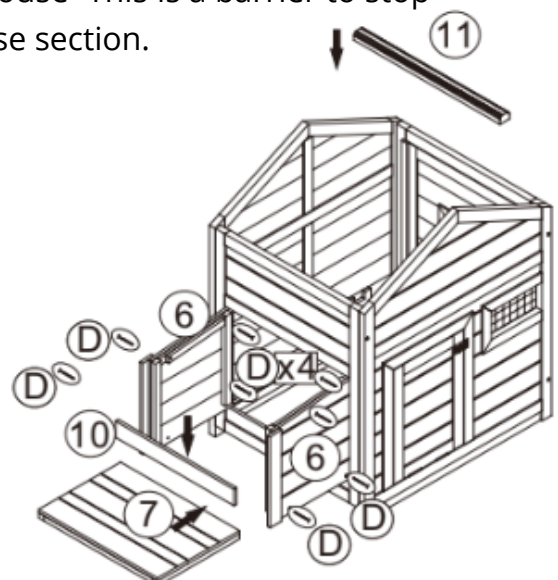
Place the roosting pole (part 11) into the 'U' shaped holders inside the house. (Note: This can be left out if not housing chickens, or kept in as a safe chew toy).

Assemble The Nest Box:

Place part 6 into the side opening, ensuring the thicker edge faces out and highest angle is against the house. Locate the predrilled holes and use screws D x 2 to attach. Repeat on the opposite side with the other part 6.

Next, place floor panel 7 between the two nest box sides. Locate the predrilled holes along the bottom edges of the sides and use screws D x 4 to secure the floor.

Slide panel 10 into the slot between the nest box and house- This is a barrier to stop bedding falling from the nesting box into the main house section.



How to Assemble the Cottage - Step 3

PARTS

Parts required for step 3

8, 9, 16, 17

Screws required for step 3

B x 8, D x 2, A x 4, E x 6, F x 1

Finish The Nest Box:

Place part 8 between the nest box sides to form the back of the nest box. Locate the predrilled holes and use screws B x 4 to attach to the side panels and screws D x 2 to attach to the floor panel.

Assemble The Sides:

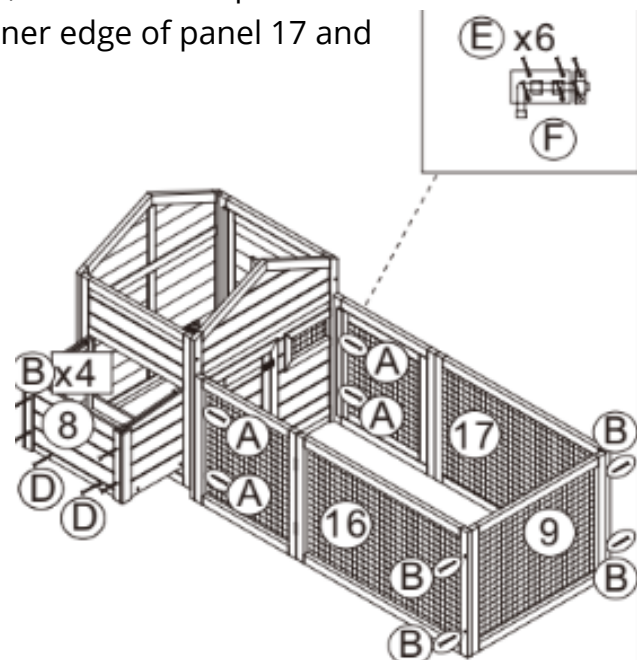
Align panel 16 with the side of the house as shown. Locate the predrilled holes along the inner edge of panel 16 and use screws A x 2 to attach.

Next, align side panel 17 with the side of the house as shown, with the door panel closest to the house. Locate the predrilled holes along the inner edge of panel 17 and use screws A x 2 to attach.

Next, place panel 9 at the end of the run between the two side panels. Locate the predrilled holes along the edges of the side panels and use screws B x 4 to attach.

Attach The Door Latch:

Attach latch F halfway down the door panel edge of the run. Secure the latch using screws E x 6 through the latch holes.



How to Assemble the Cottage - Step 4

PARTS

Parts required for step 4

12, 13 x 2, 14, 15

Screws required for step 4

B x 4, C x 8, D x 4, E x 14

Attach The Roof Of The House:

Place roof panels 13 x 2 over the house section, ensuring the angled edges meet in the middle. Locate the predrilled holes and use screws C x 8 to attach.

Next, evenly align roof cap part 15 over the join of the roof panels. Locate the predrilled holes and use screws D x 4 to secure into the roof.

Attach The Nest Box Lid:

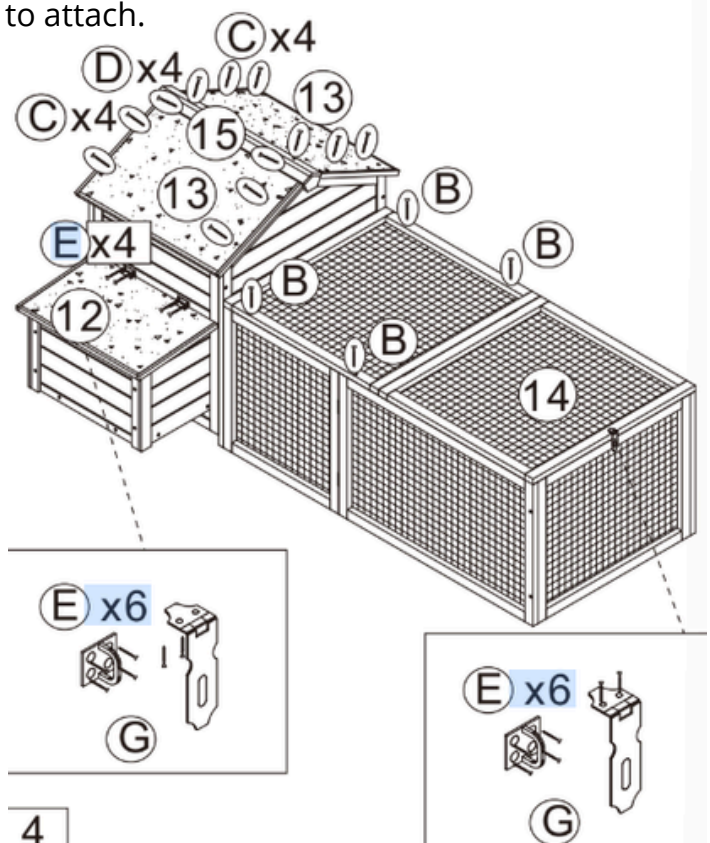
Align the nest box lid part 12 over the nest box so that it sits flush against the house. Secure it to the house through the holes in the hinges using screws E x 4.

Position hinge part G so it connects the underside of the lid and the top of the nest box area, creating a secure latch. Use screws E x 6 to attach.

Attach The Run Roof:

Align panel 14 over the run area so that the hinged side is at the far end and the side with predrilled holes is against the house. Locate the predrilled holes on the top and use screws B x 4 to attach.

Next, align hinge part G to the front edge of the run roof, and upper edge of the end of the run. Use screws E x 6 to secure through the holes in the latches.



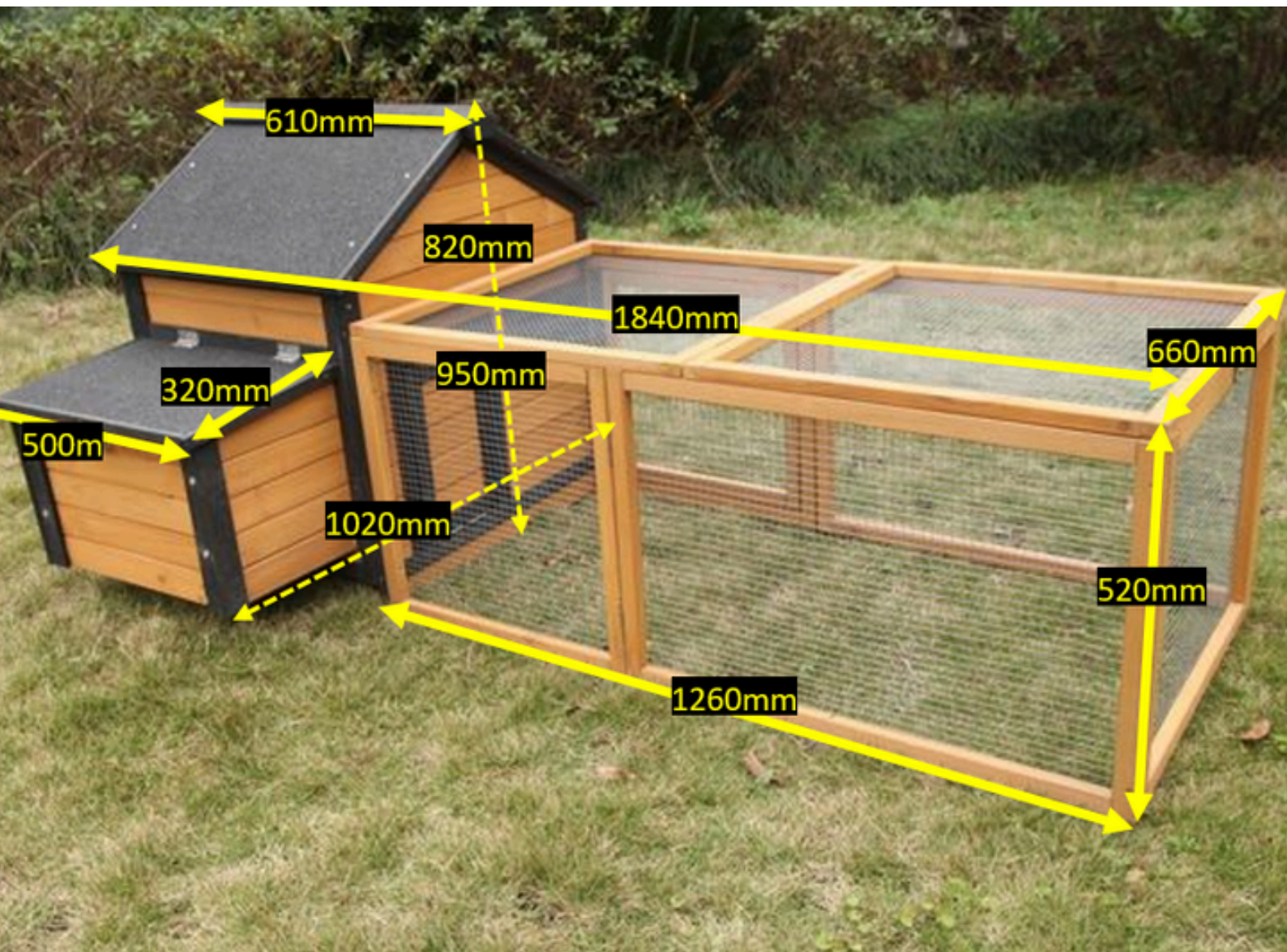
Product Dimensions



Overall coop dimensions: L1840mm x H820mm x W1020mm

Nesting box dimensions: L500mm x H320mm x W320mm

Door at top of ramp: H360mm x W250mm





FAQ

Frequently asked questions

Contact Information

Phone: 02 4340 4200

Email: info@somerzby.com.au

Customer Service Office Hours

Monday – Thursday: 9:00am – 4:30pm

Friday: 9:00am – 4:00pm

Saturday & Sunday: Closed

Public holidays: Closed

www.somerzby.com.au

#somerzby

