

CUBBY DOG KENNEL

ASSEMBLY GUIDE



Welcome!

Congratulations on becoming an owner of a premium Somerzby product! We hope it brings you and your pet/s many years of enjoyment and contentment.

When your flat pack arrives, please check all items for any damage that might have occurred in transit.



02 4340 4200

info@somerby.com.au

What you will need












You'll need a battery-powered screwdriver or drill with a Phillips head bit, as well as a flat, level surface to ensure proper alignment of all doors during assembly.

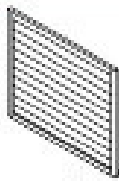
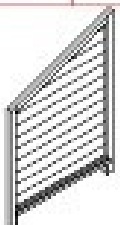
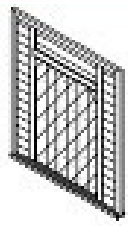
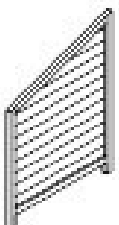
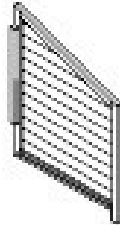
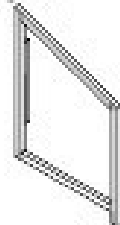
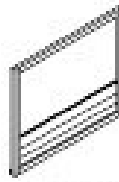



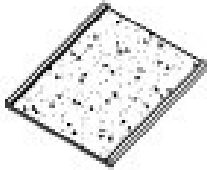
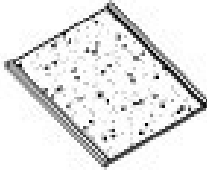

Important Things To Note



1. The instructions and screws can be found in carton #1.
2. A strong smell may be present when opening. This is the natural timber scent and is not harmful to humans or animals. It will fade over time, especially when placed outdoors.
3. When joining two panels, the 1st panel has a guide hole to show where the screw goes. The 2nd panel does not have a predrilled hole. The screw goes directly into the solid timber and forms a tighter join.
4. You may notice a shiny or powdery residue on the panels; this is crystallised sap from the natural wood-drying process. It's completely safe for pets and people and can be wiped off or left as is.

Check list

P1	 6 × 70mm	4pcs+1 spare	P2	 3.5 × 45mm	12pcs+1 spare
P3	 3.5 × 40mm	4pcs+1 spare	P4	 3.5 × 35mm	4pcs+1 spare
P5	 3.5 × 25mm	2pcs+1 spare	P6	 3 × 20mm	12pcs+1 spare
P7	 3 × 16mm	14pcs+1 spare	P8	 (R-1pc L-1pc)	
P9		6pcs			

			
Ⓐ X1	Ⓑ X1	Ⓒ X1	
			
Ⓓ X1	Ⓔ X1	Ⓕ X1	
			
Ⓖ X1	Ⓗ X1	Ⓘ X1	Ⓖ X2
			
Ⓚ X1	Ⓛ X1	Ⓜ X1	

How to Assemble the Cubby Step 1

PARTS

Parts required for step 1

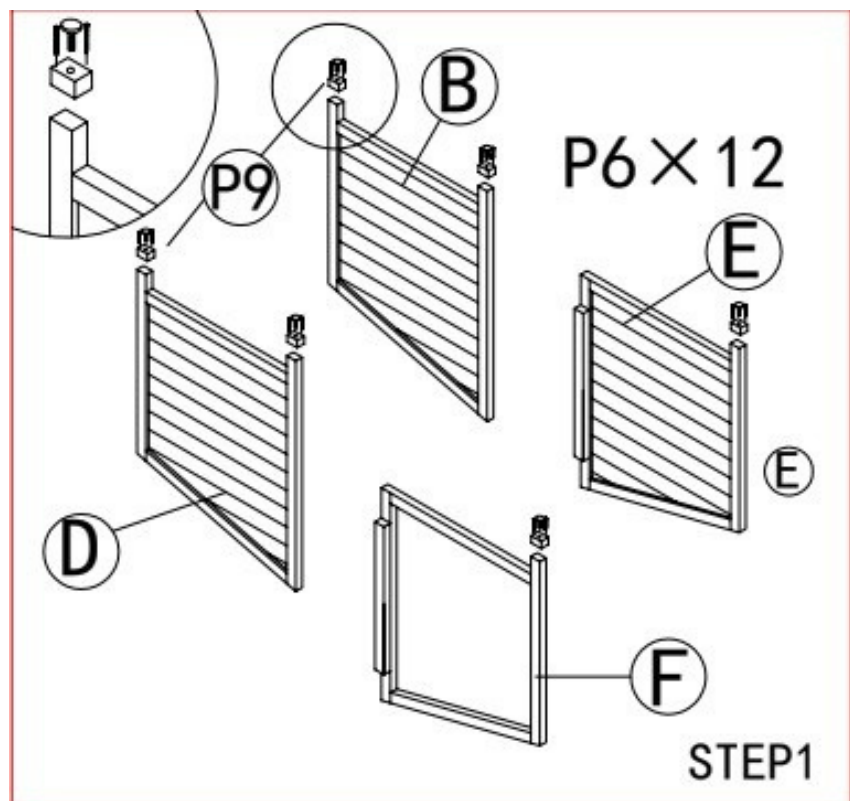
B, D, E, F, P9 x 6

Screws required for step 1

P6 x 12

Attach The Adjustable Feet:

Place P9 x 6 over the feet on the bottom of panels B, D, E, F. Use screws P6 x 12 to attach through the holes.



How to Assemble the Cubby Step 2

PARTS

Parts required for step 2

A, B, C, D

Screws required for step 2

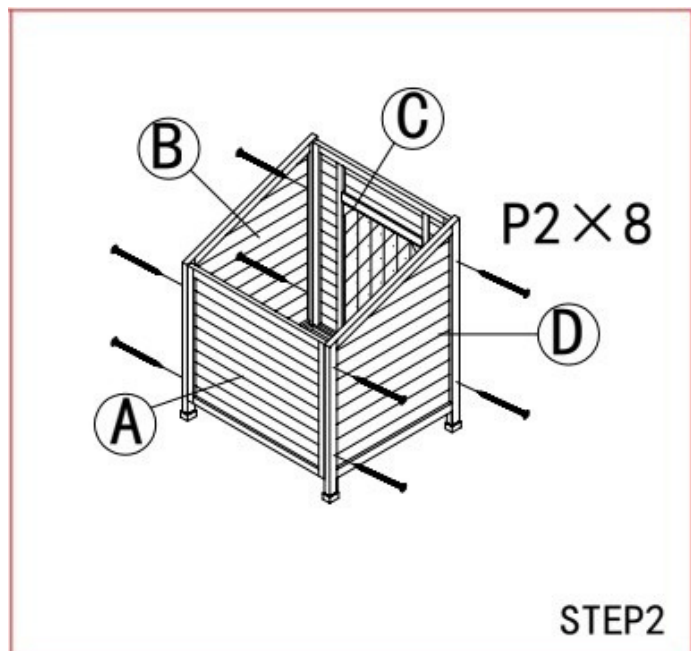
P2 x 8

Assemble The Sides:

Align panel A and B as shown, ensuring the bottom ledges face in. Locate the pre-drilled holes along the edge of panel B, then use screws P2 x 2 to attach.

Next, align panel C with B, and use the pre-drilled holes along the edge of B to attach using screws P2 x 2.

Finally, align panel D between A and C, then locate the pre-drilled holes along both edges and use screws P2 x 4 to attach.



How to Assemble the Cubby Step 3

PARTS

Parts required for step 3

E, F, G

Screws required for step 3

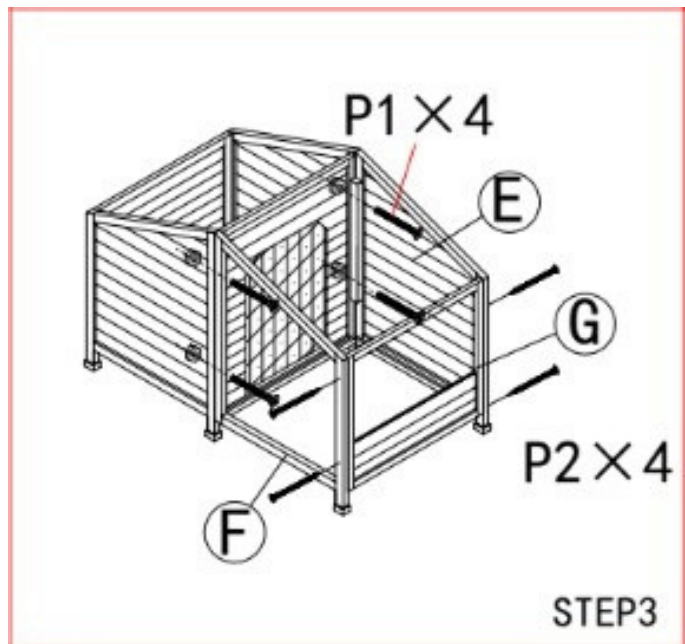
P1 x 4,

Assemble The Porch Area:

Align panel E next to the back wall of the house as shown. Locate the pre-drilled holes along the inner edge, then use screws P1 x 2 to attach.

Next, align panel F next to the front wall of the house. Locate the pre-drilled holes along the edge of F, then use screws P1 x 2 to attach.

Finally, align panel G between E and F. Use the pre-drilled holes on E and F to attach using screws P2 x 4.



How to Assemble the Cubby Step 4

PARTS

Parts required for step 4

H, I, J x 2

Screws required for step 4

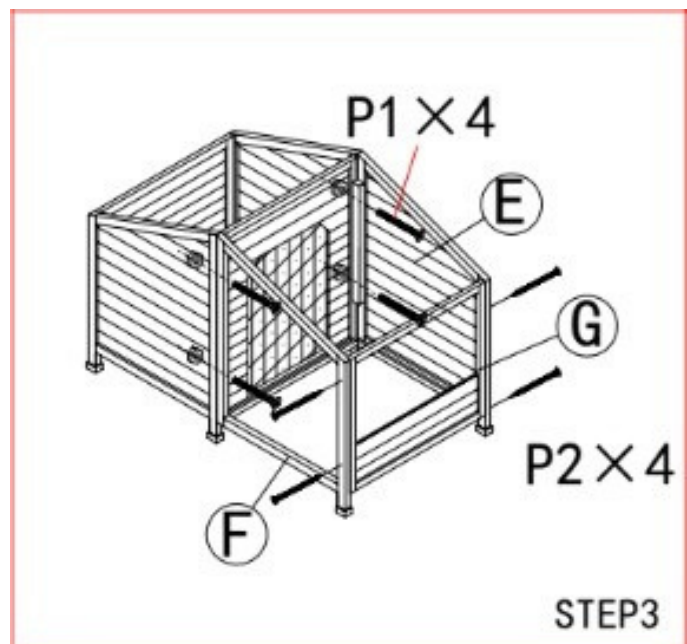
P3 x 4

Attach The Floor Supports:

Locate the pre-drilled holes on floor panel H. Position part J underneath the floor panel with the longer edge flush against the floor panel and aligning it with the pre-drilled holes. Secure J to H using P3 x 2.

Repeat this process for the second floor panel I.

Next, place floor panel H inside the house section, on the support ledges. Then place floor panel I into the floor area of the outdoor porch.



How to Assemble the Cubby Step 5

PARTS

Parts required for step 5

K, L

Screws required for step 5

P7 x 14, P4 x 4

Attach The Roof:

Align roof panel K over the house section. Use screws P7 x 6 to attach the hinges to the side panel.

Locate the left and right arm hinges, ensuring the thick central joint faces away from the wall. Position the flat end onto the plywood block on the roof and secure with screws P7 x 2. Align the other end flush against the wall over the small pre-drilled holes and attach with Screws P7 x 2.

Repeat with the other hinge on the opposite side.

Close The Roof:

Before closing the roof, ensure the arm hinges are 'unlocked' in the middle joint to prevent excess strain on the kennel and avoid potential damage.

Next, place panel L over the porch area. Locate the pre-drilled holes on the roof and use screws P4 x 4 to attach

How to Assemble the Cubby Step FINISH

PARTS

Parts required for step FINISH

M

Screws required for step FINISH

P5 x 2

Attach The Roof Cap:

Align part M over the roof panel join as shown.

Use P5 x 2 to attach part M to the roof panel over the enclosed house section using the pre-drilled holes.

Product Dimensions



External dimensions: L1370mm x W860mm x H880mm

Internal house dimensions: L600mm x W660mm x H500–720mm

Elevated, strong floor (approximately 30mm thick)





FAQ

Frequently asked questions

Contact Information

Phone: 02 4340 4200

Email: info@somerzby.com.au

Customer Service Office Hours

Monday – Thursday: 9:00am – 4:30pm

Friday: 9:00am – 4:00pm

Saturday & Sunday: Closed

Public holidays: Closed

www.somerzby.com.au

#somerzby

