

# DELUXE COTTAGE

## ASSEMBLY GUIDE



## Welcome!

Congratulations on becoming an owner of a premium Somerzby product! We hope it brings you and your pet/s many years of enjoyment and contentment.

When your flat pack arrives, please check all items for any damage that might have occurred in transit.



02 4340 4200

[info@somerby.com.au](mailto:info@somerby.com.au)

## What you will need








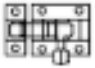










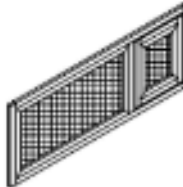


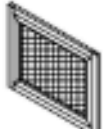



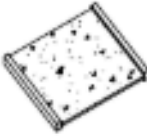
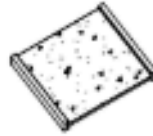

You'll need a battery-powered screwdriver or drill with a Phillips head bit, as well as a flat, level surface to ensure proper alignment of all doors during assembly.

## Important Things To Note



1. The instructions and screws can be found in carton #1.
2. A strong smell may be present when opening. This is the natural timber scent and is not harmful to humans or animals. It will fade over time, especially when placed outdoors.
3. When joining two panels, the 1st panel has a guide hole to show where the screw goes. The 2nd panel does not have a predrilled hole. The screw goes directly into the solid timber and forms a tighter join.
4. You may notice a shiny or powdery residue on the panels; this is crystallised sap from the natural wood-drying process. It's completely safe for pets and people and can be wiped off or left as is.

## Check list

 <b>P1</b> 3.5×50mm 12pcs+1spare	 <b>P2</b> 3.5×40mm 12pcs+1spare	 <b>P3</b> 3.5×35mm 14pcs+1spare	 <b>P4</b> 3.5×25mm 18pcs+1spare
 <b>P5</b> 3×14mm 30pcs+1spare	 <b>P6</b> 4pcs		
 <b>A</b> X1	 <b>B</b> X1	 <b>C</b> X1	 <b>D</b> X1
 <b>E</b> X1	 <b>F</b> X1	 <b>G</b> X1	 <b>H</b> X1
 <b>I</b> X1	 <b>J</b> X1	 <b>K</b> X1	 <b>L</b> X1
 <b>M</b> X1	 <b>N</b> X1	 <b>O</b> X1	 <b>P</b> X1
 <b>Q</b> X1	 <b>R</b> X1	 <b>S</b> X1	 <b>T</b> X1

## How to Assemble the Deluxe Cottage - Step 1

### PARTS

#### Parts required for step 1

A, B, C, D

#### Screws required for step 1

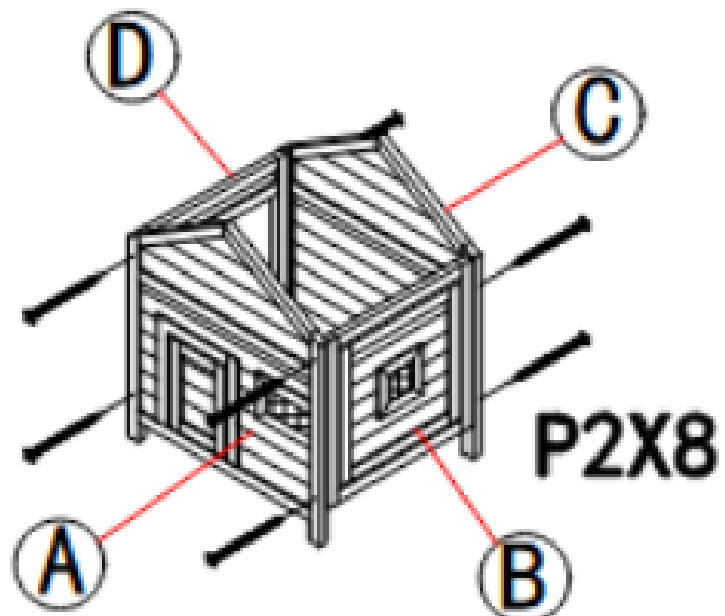
P2 x 8

#### Assemble The House Section:

Using the guide dowels, align panels A and B as shown. Locate the predrilled holes along the edge of panel A and use screws P2 x 2 to attach.

Then, align panel C with panel B using the guide dowels. Attach screws P2 x 2 through the predrilled holes on panel C.

Next, using the guide dowels place panel D between panel A and C. Use screws P2 x 4 to attach through the predrilled holes on panels A and C.



**STEP 1**

## How to Assemble the Deluxe Cottage - Step 2

### PARTS

#### Parts required for step 2

E, F, G, H, I, J x 2

#### Screws required for step 2

P4 x 14,

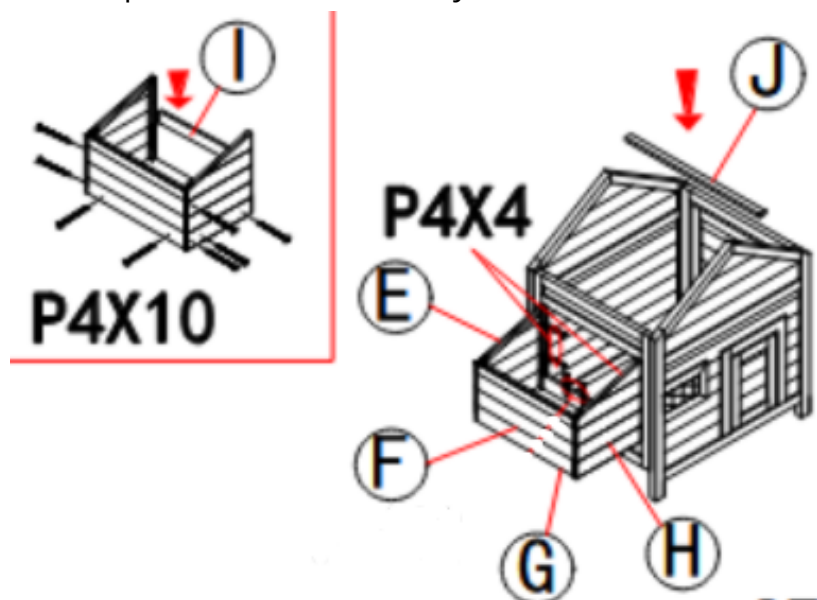
**Assemble The Nesting Box:** Place part G on a flat surface, align panels E, F and H to form the sides as shown.

**Attach The Nest Box To The House:** Align the nest box into the opening of the side of the house, ensuring it is flush with the edges. Using the predrilled holes on the nest box edges, use screws P4 x 6 to attach the sides of the nest box to the house.

Slide part I into the slot between the nest box and house- This is a barrier to stop bedding falling from the nesting box into the main house section.

#### Insert The Roosting Pole:

Place the roosting pole part J into the 'U' shaped holders inside the house. (Note: This can be left out if not housing chickens, or kept in as a safe chew toy).



**STEP2**

## How to Assemble the Deluxe Cottage - Step 3

### PARTS

#### Parts required for step 3

L, M, N, K

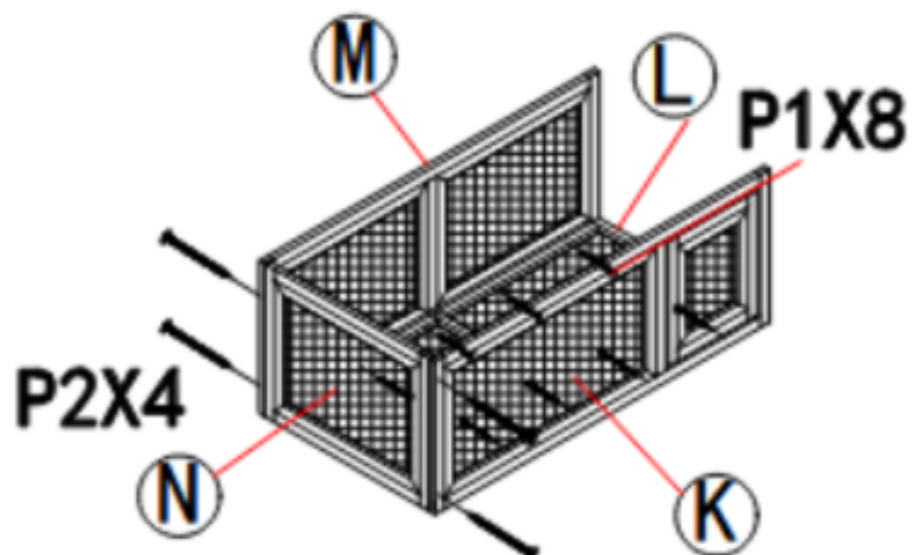
#### Screws required for step 3

P1 x 8, P2 x 4

**Assemble The Run:** Align wire floor panel L with side panel M as shown, ensuring the stapled side of the wire faces in. Locate the predrilled holes along the bottom edge of M and use screws P1 x 4 to attach.

Then, align side panel K with floor panel L, taking note of the door location. Locate the predrilled holes along the bottom edge of K and use screws P1 x 4 to attach.

Next, place end panel N between K and M as shown. Locate the predrilled holes along the edges of K & M and use screws P2 x 4 to attach.



**STEP3**

## How to Assemble the Deluxe Cottage - Step 4

### PARTS

#### Parts required for step 4

Assembled House & Run

#### Screws required for step 4

P1 x 4

#### Attach The Run To The House:

Align the assembled run to the house as shown. Open the small run door, then locate the predrilled holes along the inner edge and use screws P1 x 2 to secure to the house.

On the opposite side, use a powered screwdriver to remove the inner timber-framed flyscreen panel from the run panel closest to the house.

Locate the two predrilled holes along the inner edge and attach the run to the house using screws P1 x 2.

Once secured, replace the inner timber frame and screw it back into place.

“ the fly screen panel needs to be removed from one side of the run so it can be screwed to the house part, then the fly screen screwed back in” .

**P1X4**



**STEP4**

## How to Assemble the Deluxe Cottage - Step 5

### PARTS

Parts required for step 5

O, P

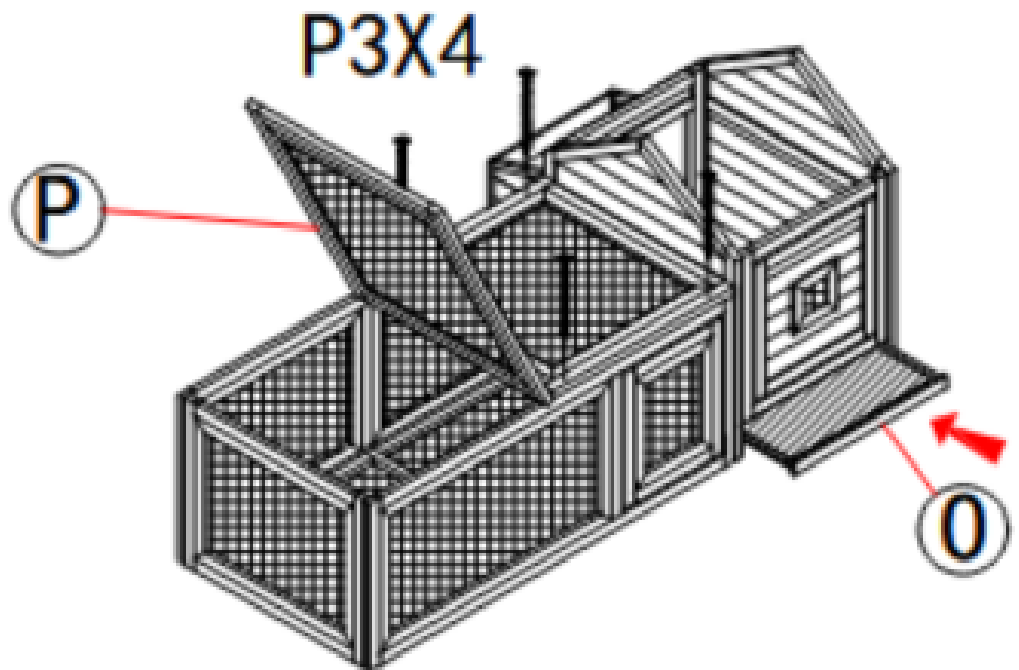
Screws required for step 5

P3 x 4

**Insert The Tray:** Slide tray panel O into the slot under the house door, onto the internal guide rails. Ensure the handles face out.

**Attach The Run Roof:**

Align panel P over the run area so that the hinged side is at the far end and the side with predrilled holes is against the house. Using the predrilled holes on the top, use screws P3 x 4 to attach.



STEP5

## How to Assemble the Deluxe Cottage - Step 6

**PARTS**

Parts required for step 6

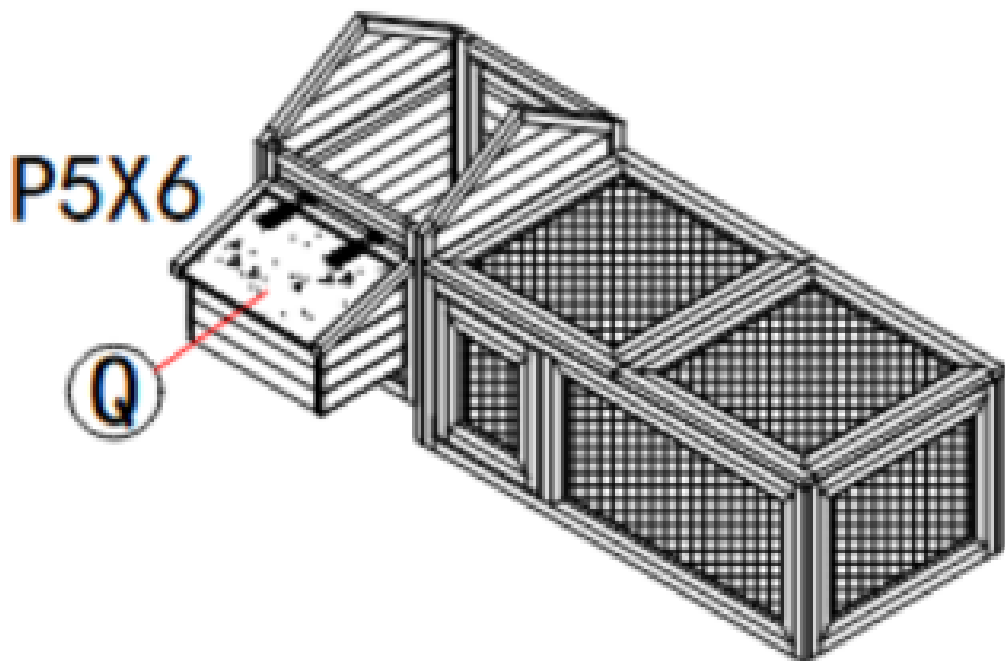
Q

Screws required for step 6

P5 x 6

**Attach The Nest Box Lid:**

Align the nest box lid part Q over the nest box area so that it sits flush against the house. Secure it to the house through the holes in the hinges using screws P5 x 6.



**STEP6**

## How to Assemble the Deluxe Cottage - Step 7

### PARTS

**Parts required for step 7**

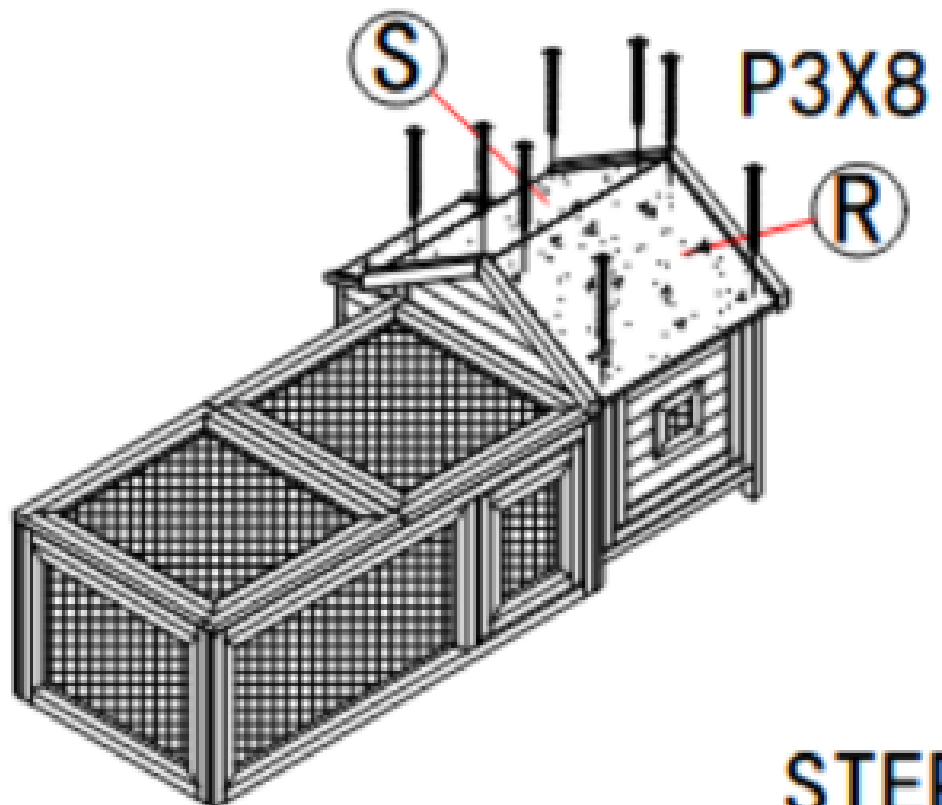
R, S

**Screws required for step 7**

P3 x 8

#### **Attach The Roof Of The House:**

Place roof panels R & S over the house section, ensuring the angled edges are in the middle. Locate the predrilled holes and use screws P3 x 8 to attach.



**STEP7**

## How to Assemble the Deluxe Cottage - Step FINISH

### PARTS

**Parts required for step FINISH**

T

**Screws required for step FINISH**

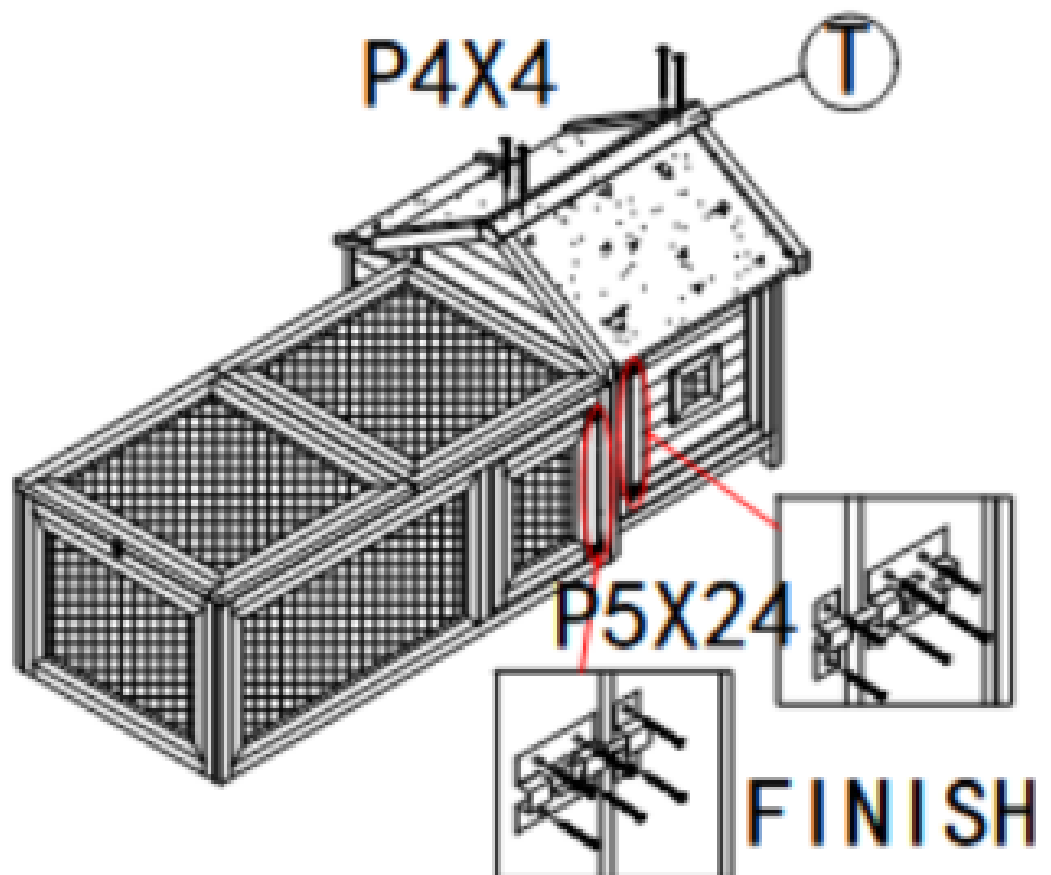
P4 x 4, P5 x 24, P6 x 2

#### **Attach The Roof Cap:**

Evenly align roof cap part T over the join of the roof panels. Locate the predrilled holes and use screws P4 x 4 to secure into the roof.

#### **Attach The Door Latches:**

Attach latches P6 x 2 to both the house door and run door panels, positioning the main latch body on the edge of each door and the smaller receiving catch on the main structure. Ensure the latch aligns correctly when closed. Secure each latch using screws P5 x 24 through the latch holes.





## FAQ

Frequently asked questions

### Contact Information

Phone: 02 4340 4200

Email: [info@somerzby.com.au](mailto:info@somerzby.com.au)

### Customer Service Office Hours

Monday – Thursday: 9:00am – 4:30pm

Friday: 9:00am – 4:00pm

Saturday & Sunday: Closed

Public holidays: Closed

[www.somerzby.com.au](http://www.somerzby.com.au)

**#somerzby**

