

# **HAVEN DOG KENNEL**

## **ASSEMBLY GUIDE**



## Welcome!

Congratulations on becoming an owner of a premium Somerzby product! We hope it brings you and your pet/s many years of enjoyment and contentment.

When your flat pack arrives, please check all items for any damage that might have occurred in transit.



02 4340 4200

[info@somerby.com.au](mailto:info@somerby.com.au)

## What you will need



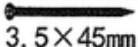
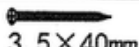
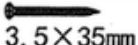
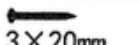


You'll need a battery-powered screwdriver or drill with a Phillips head bit, as well as a flat, level surface to ensure proper alignment of all doors during assembly.

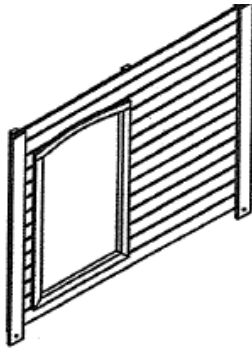
## Important Things To Note



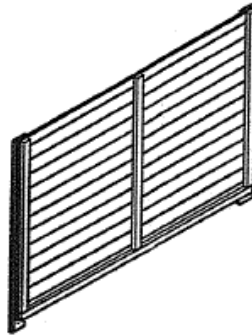
- The instructions and screws can be found in carton #1.
- A strong smell may be present when opening. This is the natural timber scent and is not harmful to humans or animals. It will fade over time, especially when placed outdoors.
- When joining two panels, the 1st panel has a guide hole to show where the screw goes. The 2nd panel does not have a predrilled hole. The screw goes directly into the solid timber and forms a tighter join.
- You may notice a shiny or powdery residue on the panels; this is crystallised sap from the natural wood-drying process. It's completely safe for pets and people and can be wiped off or left as is.

## Check list

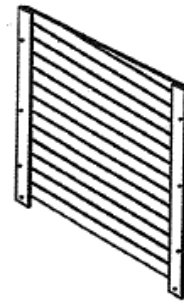
|    |  |               |    |   |              |
|----|--|---------------|----|---|--------------|
| P1 |  3.5×45mm | 12pcs+1 spare | P2 |  3.5×40mm | 4pcs+1 spare |
| P3 |  3.5×35mm | 8pcs+1 spare  | P4 |  3×20mm   | 3pcs+1 spare |
| P5 |  3×16mm   | 14pcs+1 spare | P6 |           | 2pcs (L+R)   |



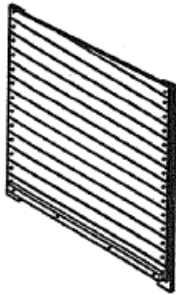
Ⓐ \*1



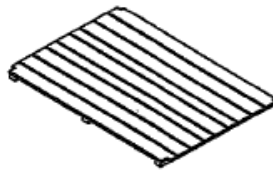
Ⓐ \*1



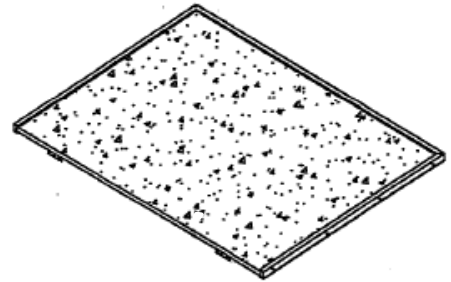
Ⓑ \*1



Ⓑ \*1



Ⓒ \*2



Ⓓ \*1



Ⓔ \*4



Ⓕ \*1



Ⓖ \*2

## Step I - Haven Dog Kennel

### PARTS

#### Parts required for step 1

A1, F

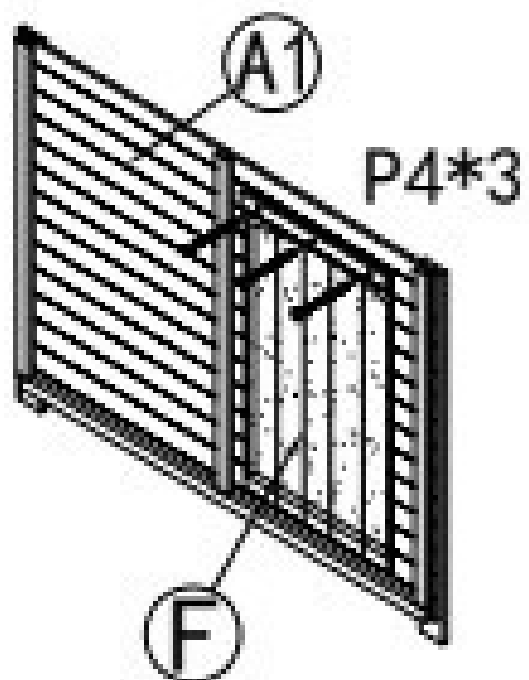
#### Screws:

P4 x 3

#### Attach F To A1

Position Part F along the upper edge of the door frame on the interior side, ensuring it is centered.

Locate the predrilled holes and use P4 x 3 to attach.



STEP1

## Step 2- Haven Dog Kennel

### PARTS

#### Parts required for step 2

C x 2, G x 2.

#### Screws:

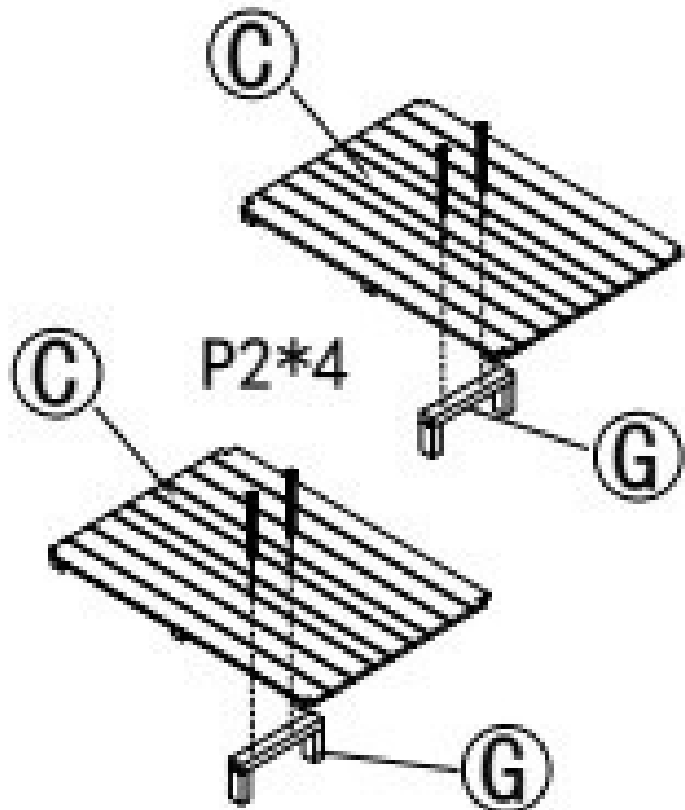
P2 x 4

### Attach The Floor Supports

Position Part G underneath floor panel C, aligning it with the pre-drilled holes on the top of the floor panel.

Use screws P2 x 2 to attach through the predrilled holes.

Repeat with the other floor panel and support.



## Step 3- Haven Dog Kennel

### PARTS

#### Parts required for step 3

A1, A2, B1, B2

#### Screws:

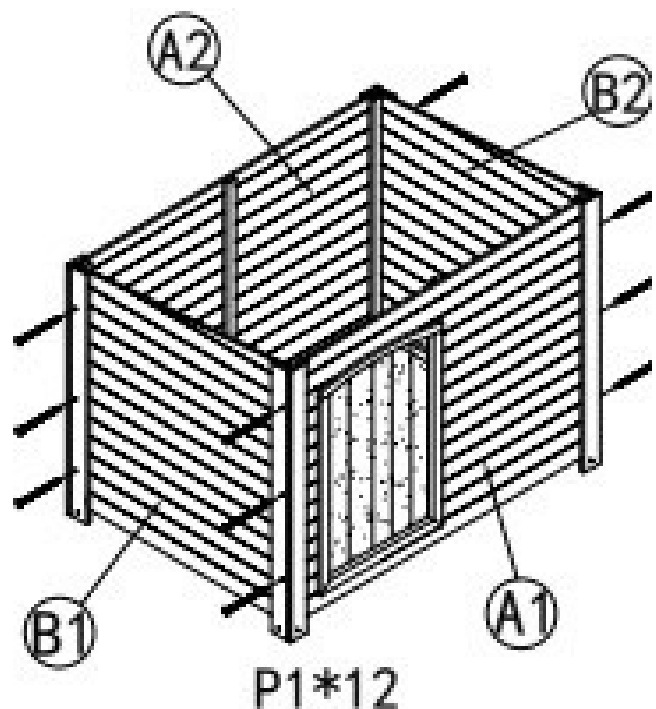
P1 x 12

### Assemble The Sides

Align Panel A1 with Panel B1, positioning the highest angled edge of B1 flush against A1. Screw P1 x 3 through the pre-drilled guide holes of B1 to attach.

Repeat this step to attach panel A1 to Panel B2.

Next, align panel A2 between Panels B1 and B2. Using screws P1 x 6, secure A2 to B1 and B2 through the pre-drilled guide holes.



STEP3

## Step 4- Haven Dog Kennel

### PARTS

Parts required for step 4

E x 4

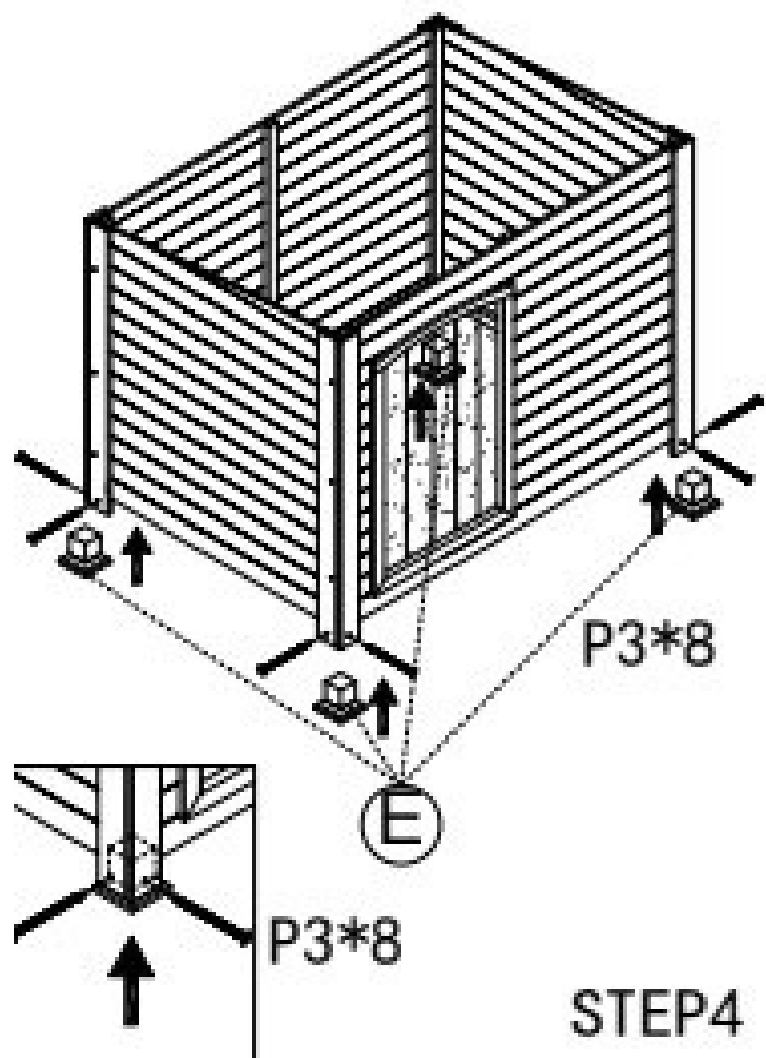
Screws:

P3 x 8

### Attach The Feet

Align part E in each corner of the kennel as shown. The kennel frame will rest on top of these block pieces.

Use screws P3 x 8 to secure together through the pre-drilled holes.



## Step 5- Haven Dog Kennel

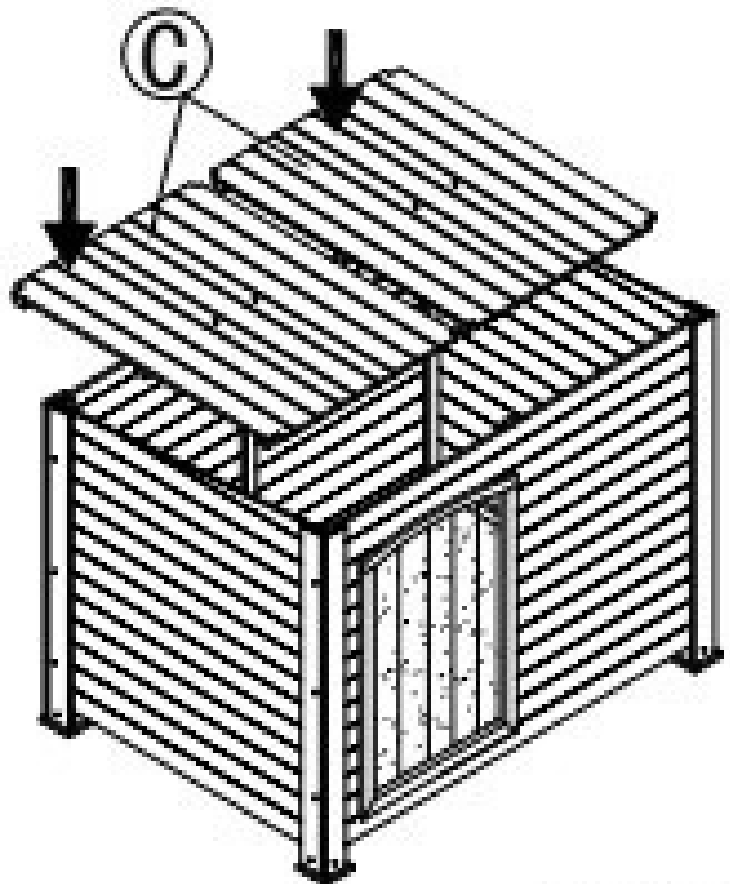
### PARTS

Parts required for step 5

C x 2

#### Insert The Floor Panels

Place the floor panels in the kennel one by one as shown, take note of the corner cutouts, and ensure they sit securely on the ledges inside the kennel.



STEP5

## Step 6- Haven Dog Kennel

### PARTS

Parts required for step 6

D

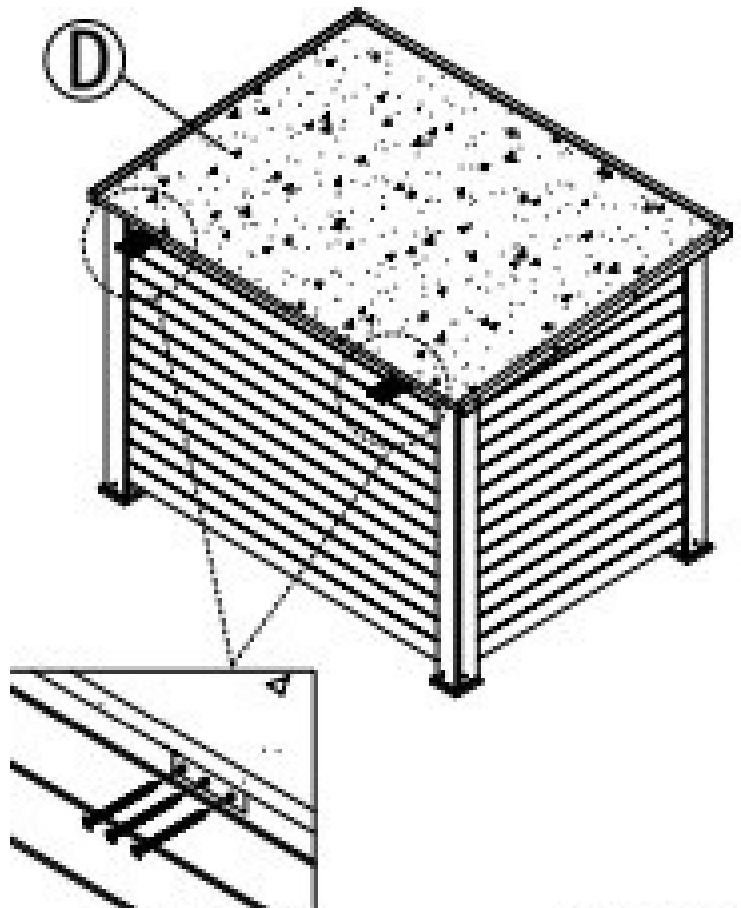
Screws:

P5 x 6

### Attach The Roof

Place roof panel D on top of the kennel, making sure it is centered and both the back hinges are evenly aligned.

Use screws P5 x 6 to secure the pre-attached hinges to the back of the kennel.



P5\*6

STEP6

## Step 7- Haven Dog Kennel

### PARTS

#### Parts required for step 7

P6 x 2

#### Screws:

P5 x 8

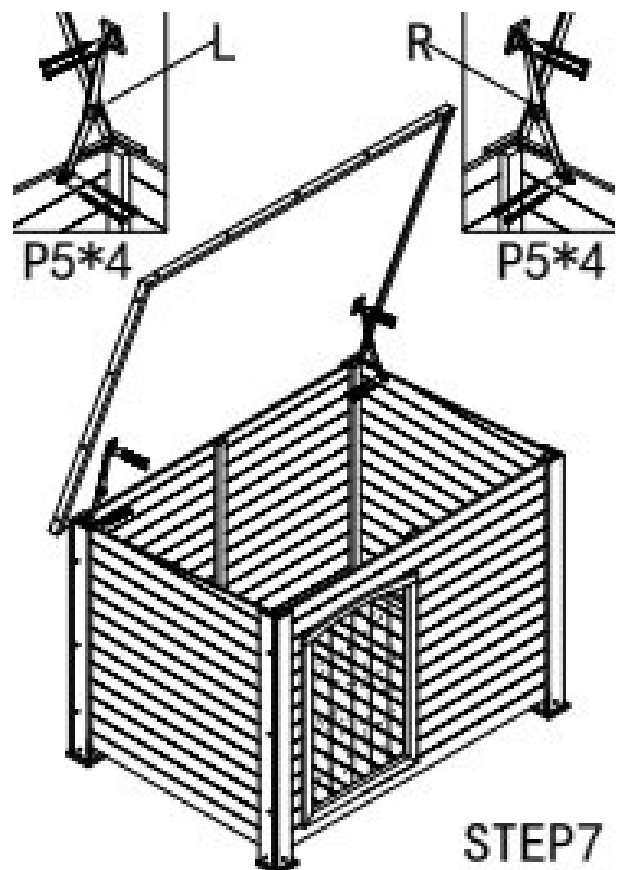
### Attach The Arm Hinges

Locate the left and right hinges. Make sure the thick central joint is facing toward the inside of the kennel.

Position the flat end of the hinge with the plywood block on the roof. Use screws P5 x 2 to attach.

The other end should rest flush against the side wall of the kennel over the small predrilled holes.

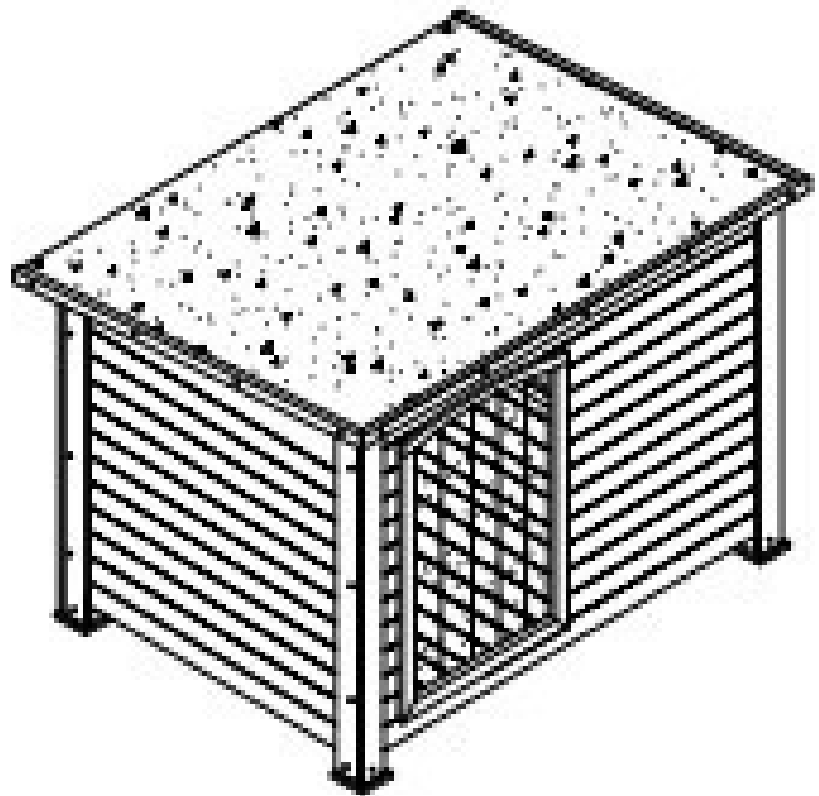
Use screws P5 x 2 to attach.



## Step FINISH- Haven Dog Kennel

### Close The Roof

Before closing the roof, ensure the arm hinges are 'unlocked' in the middle joint to prevent excess strain on the kennel and avoid potential damage.



**FINISH**



## FAQ

Frequently asked questions

### Contact Information

Phone: 02 4340 4200

Email: [info@somerzby.com.au](mailto:info@somerzby.com.au)

### Customer Service Office Hours

Monday – Thursday: 9:00am – 4:30pm

Friday: 9:00am – 4:00pm

Saturday & Sunday: Closed

Public holidays: Closed

[www.somerzby.com.au](http://www.somerzby.com.au)

**#somerzby**

