

# HEIDI CAT ENCLOSURE ASSEMBLY GUIDE



## Welcome!

Congratulations on becoming an owner of a premium Somerzby product! We hope it brings you and your pet/s many years of enjoyment and contentment.

When your flat pack arrives, please check all items for any damage that might have occurred in transit.



02 4340 4200

[info@somerby.com.au](mailto:info@somerby.com.au)

## What you will need









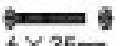


You'll need a battery-powered screwdriver or drill with a Phillips head bit, as well as a flat, level surface to ensure proper alignment of all doors during assembly.

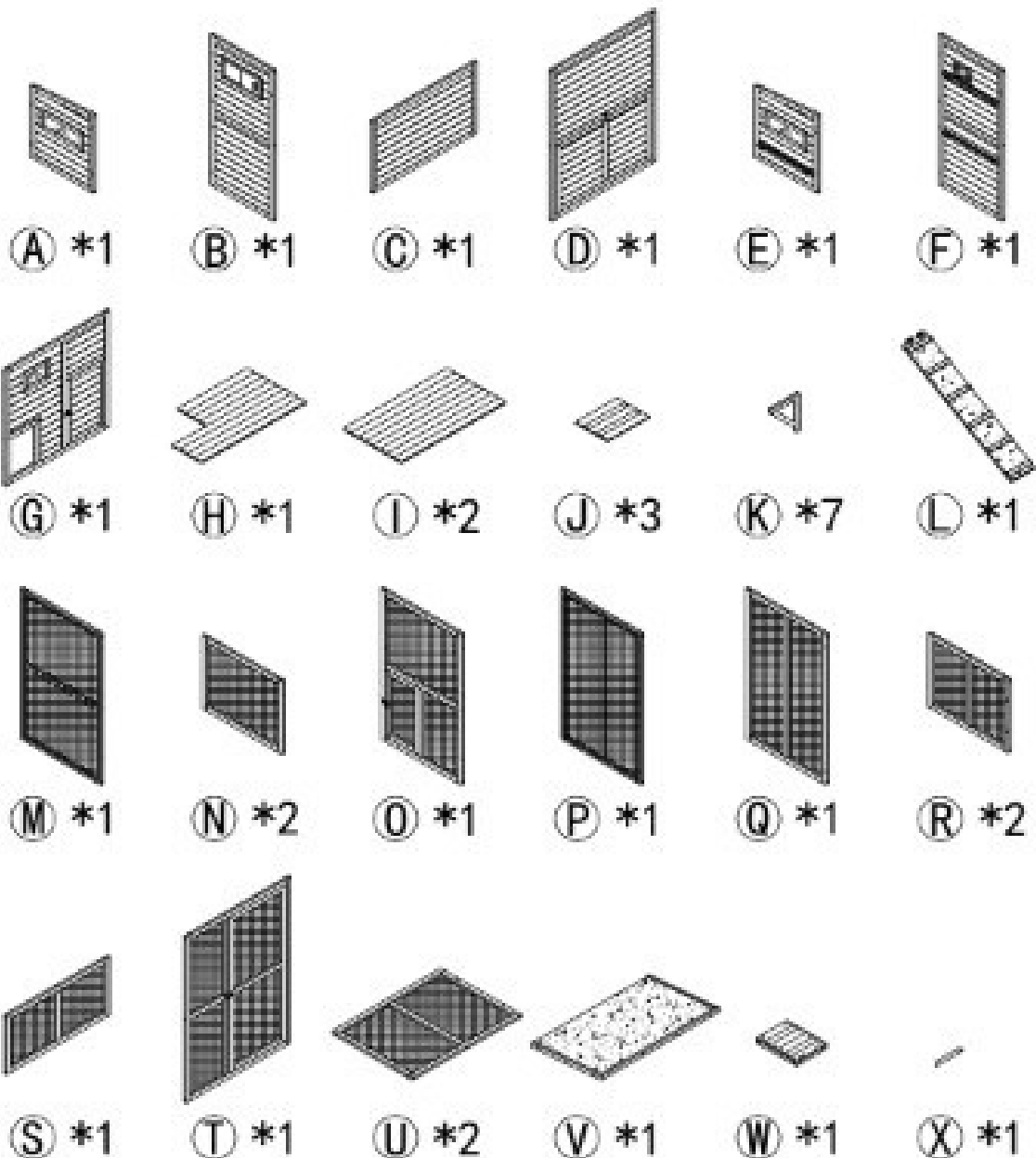
## Important Things To Note



1. The instructions and screws can be found in carton #1.
2. A strong smell may be present when opening. This is the natural timber scent and is not harmful to humans or animals. It will fade over time, especially when placed outdoors.
3. When joining two panels, the 1st panel has a guide hole to show where the screw goes. The 2nd panel does not have a predrilled hole. The screw goes directly into the solid timber and forms a tighter join.
4. You may notice a shiny or powdery residue on the panels; this is crystallised sap from the natural wood-drying process. It's completely safe for pets and people and can be wiped off or left as is.

## Check list

P1	 3.5 × 60mm	32pcs+1 spare	P2	 3.5 × 45mm	14pcs+1 spare
P3	 3.5 × 40mm	34pcs+1 spare	P4	 3.5 × 35mm	6pcs+1 spare
P5	 3.5 × 25mm	12pcs+1 spare	P6	 3 × 16mm	4pcs+1 spare
P7	 6 × 35mm	2pcs	P8	 6 × 70mm	3pcs
P9		1pc			



## How to Assemble the Heidi Step 1

### PARTS

#### Parts required for step 1

A, B, C, D, F, P9

#### Screws required for step 1

P3 x 12, P7 x 2

### Assemble The Sides and Back Of House

**Attach Panel B to C:** Locate the pre-drilled holes on the edge of panel B.

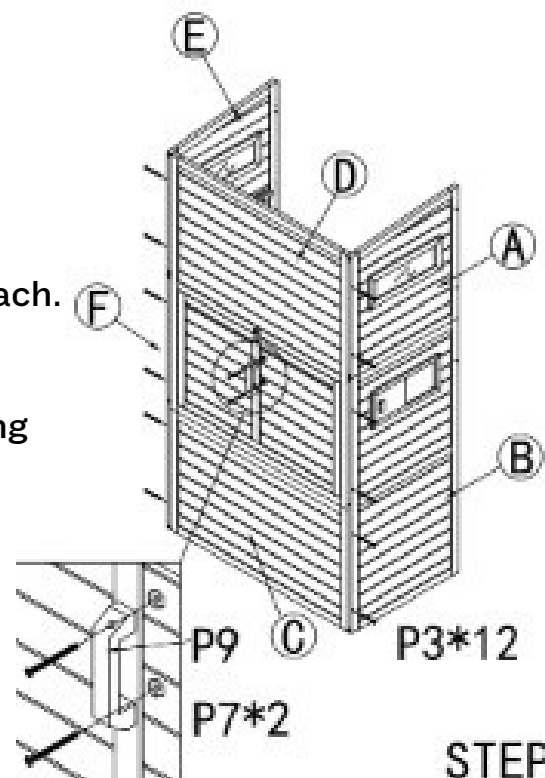
Align panel B to C as shown, then screw P3 x 2 through the guide holes to secure.

**Attach Panel F to C:** Locate the pre-drilled holes on the edge of panel F, then align F with C as shown. Use P3 x 2 to screw through the guide holes to secure.

**Attach Panel D:** Place panel D on top of panel C, between the two side sections. Locate the pre-drilled holes on the side sections, and use screws P3 x 4 to attach.

**Attach Panel A and E:** Place panel A on top of B, ensuring the higher angled side is furthest from the back of the house. Locate the pre-drilled holes on panel A and use screws P3 x 2 to attach.

Repeat on the opposite side with panel E.



STEP 1

**Attach The Door Handle:** Align part P9 along the flat strip of timber on the back door. Use nut & bolts P7 x 2 to securely attach.

## How to Assemble the Heidi Step 2

### PARTS

#### Parts required for step 2

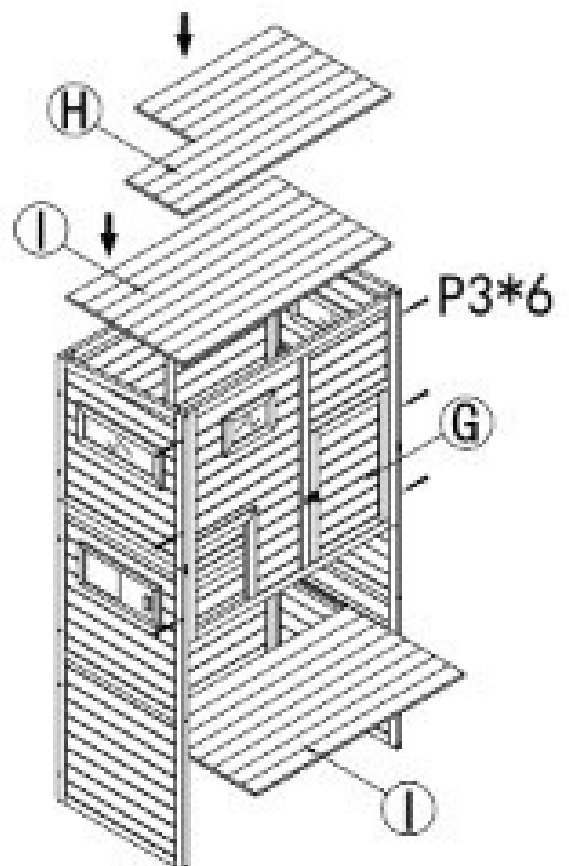
G, H, I x 2

#### Screws required for step 2

P3 x 6

**Assemble The Front Of The House:** Place part G between the assembled sides as shown. Locate the pre-drilled holes on the side panels, then use screws P3 x 6 to attach.

**Assemble The Floor Sections:** Slide I x panel I onto the guide rails at the bottom as shown. Place the second panel I into the middle guide rails, followed by panel H onto the highest rails, taking note of the corner cut out.



STEP2

## How to Assemble the Heidi Step 3

### PARTS

**Parts required for step 3**

W, X

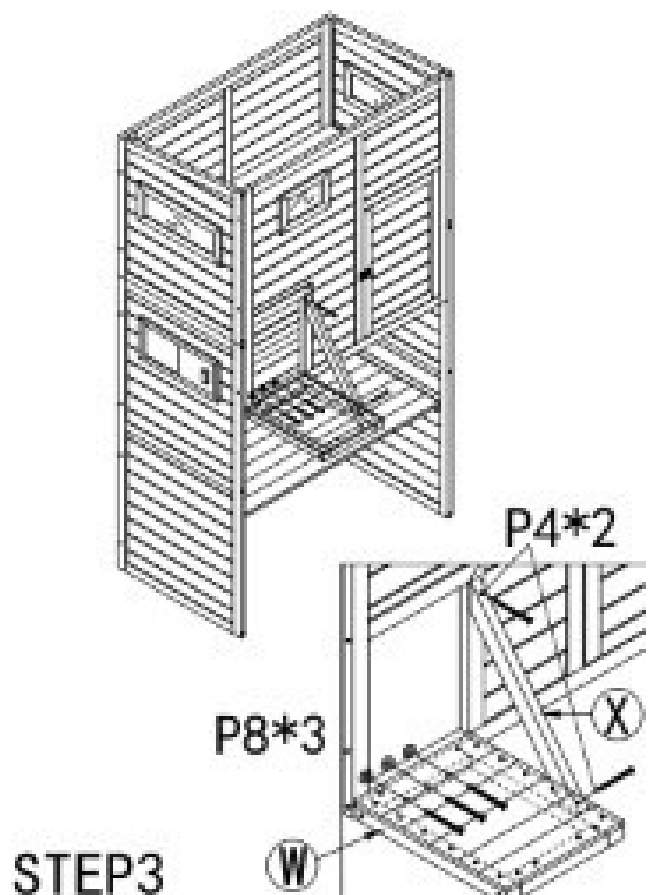
**Screws required for step 3**

P8 x 3, P4 x 2

**Add The Shelf:** Place shelf W below the door opening as shown. ensure the end of the platform with the 2 pre-drilled holes on top is furthest from the house. Use nut & bolts P8 x 3 to attach to the house.

Next, place bracket X as shown.

Locate the pre-drilled holes at the top and bottom and attach to door frame and side of shelf using screws P4 x 2.



## How to Assemble the Heidi Step 4

### PARTS

Parts required for step 4

L

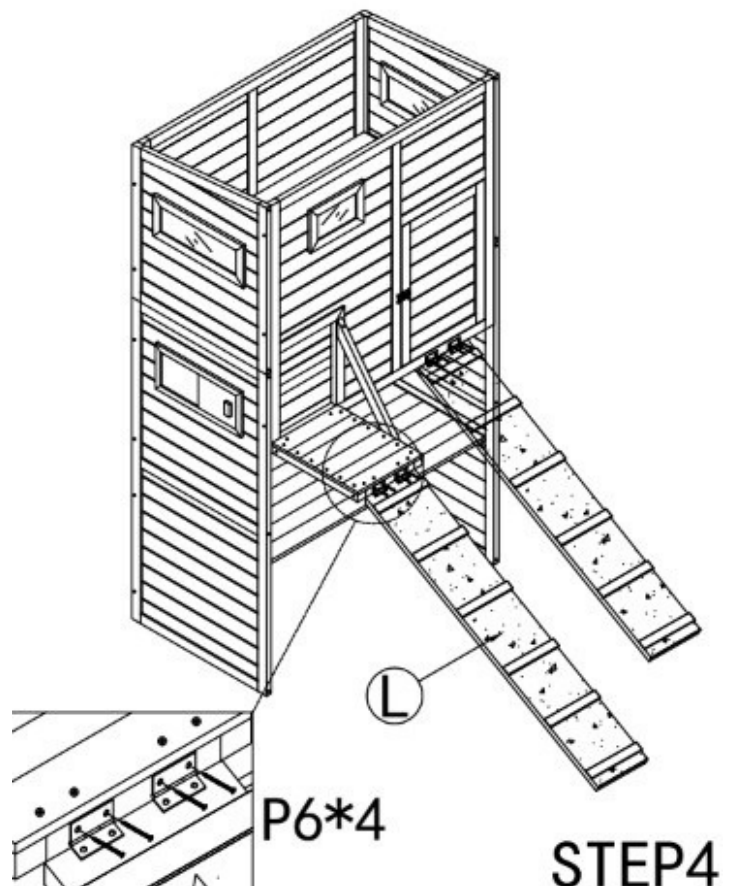
Screws required for step 4

P6 x 4

**Attach The Ramp:** Attach ramp part L below one of the small door openings. You can either position it on the edge of the shelf beneath the left-hand door or directly in front of the right-hand side door.

Use screws P6 x 4 to attach the hinges along the edge.

There are 2 positions for installing stairs. As shown below: can be installed on the left and right.



## How to Assemble the Heidi Step 5

### PARTS

#### Parts required for step 5

M, N x 2, O

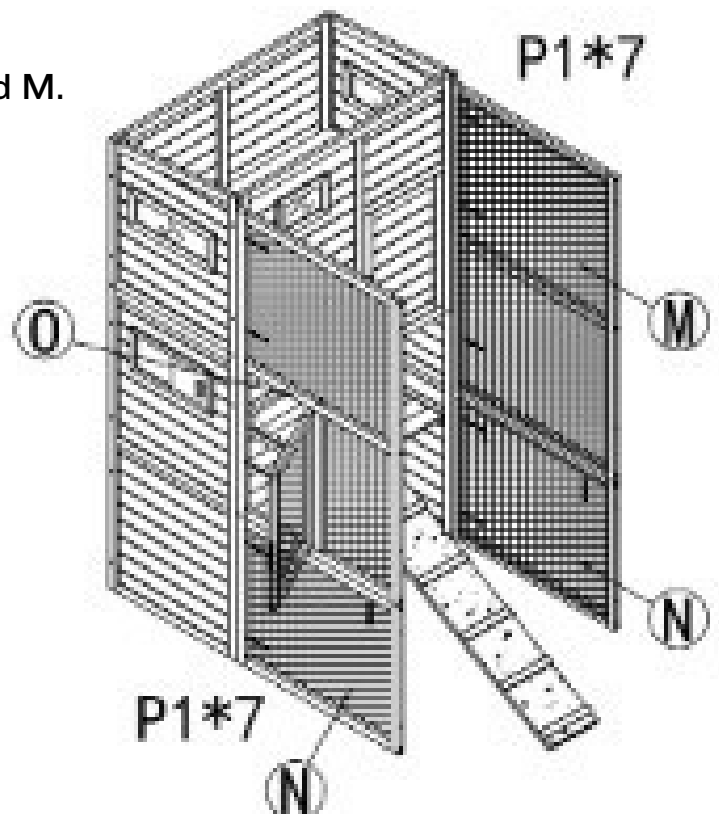
#### Screws required for step 5

P1 x 14

**Assemble The Sides Of The Run:** Place part N next to the edge of the house as shown, taking note of the pre-drilled hole locations and ensuring the stapled wire side faces in. Use screws P1 x 2 to attach to house.

Next, place panel O on top of N, ensuring the door is closest to the house. Use screws P1 x 3 to attach to house. Locate the two pre-drilled holes along the upper edge of N and use screws P1 x 2 to secure to O as shown.

Repeat on opposite side with panels N and M.



STEP5

## How to Assemble the Heidi Step 6

### PARTS

Parts required for step 6

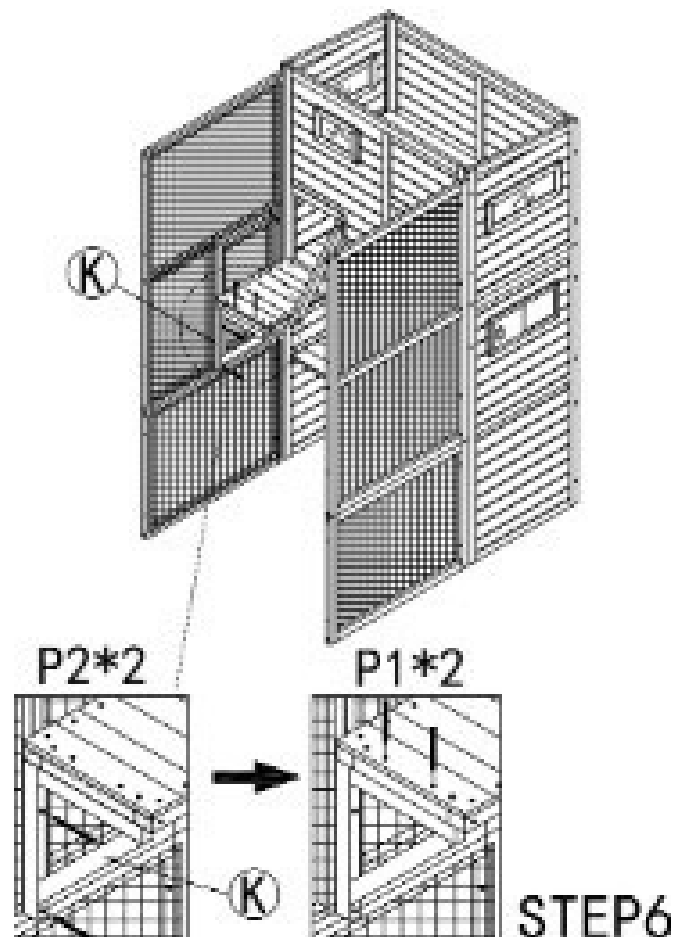
K

Screws required for step 6

P2 x 2, P1 x 2

**Attach The Support Bracket:** Align the support bracket K, below the small shelf, as shown. Locate the pre-drilled holes along the back edge and use screws P2 x 2 to secure to the side run panel.

Next, locate the pre-drilled holes on the top of the shelf, then use screws P1 x 2 to secure the bracket to the shelf.



## How to Assemble the Heidi Step 7

### PARTS

**Parts required for step 7**

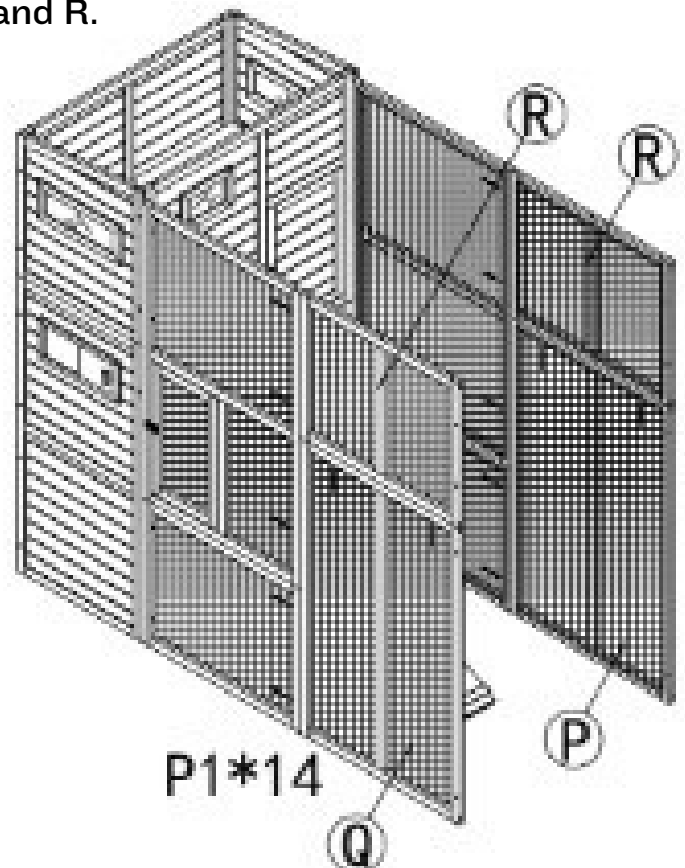
P, Q, R x 2

**Screws required for step 7**

P1 x 14

**Attach The Run Panels:** Align part Q next to the assembled wire panels as shown. Locate the pre-drilled holes on inner edges of the run and use screws P1 x 3 to attach to panel Q. Next, place panel R on top of Q. Use the pre-drilled holes to attach using screws P1 x 4 as shown.

Repeat on the opposite side with parts P and R.



STEP7

## How to Assemble the Heidi Step 8

### PARTS

**Parts required for step 8**

J x 3, K x 6

**Screws required for step 8**

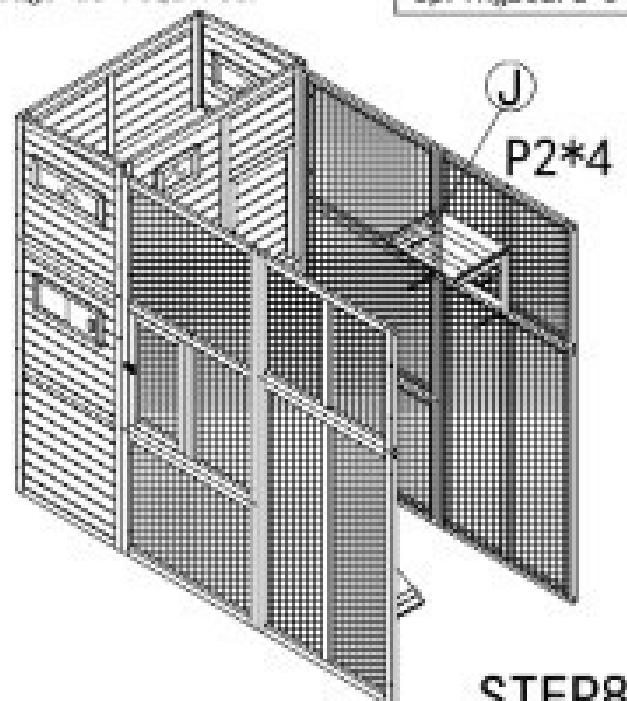
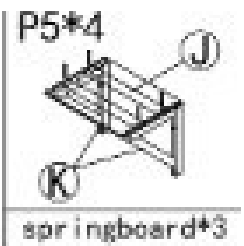
P5 x 12, P2 x 12

**Adding The Shelves:** There are 3 shelves to place in the run area. You can attach these wherever you like, as long as there is timber behind both brackets to secure.

**Assemble The Shelves:** Place 2 x K below J as shown. Ensure the pre-drilled holes are positioned at the rear of the bracket. Use screws P5 x 4 to attach the brackets to the shelves, through the pre-drilled holes on top of the shelves.

**Attach The Shelves:** Place the shelves and brackets flush against the timber sections of the run. Use screws P2 x 4 to attach through the pre-drilled holes on the brackets.

There are 3 springboards for small animals to play on, and they can be mounted on the side panels of the running cage as required.



## How to Assemble the Heidi Step 9

### PARTS

#### Parts required for step 9

S, T

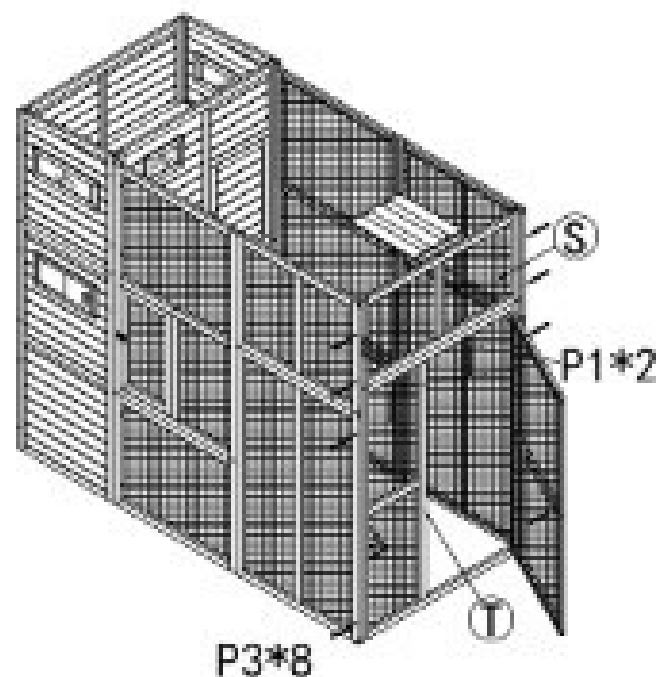
#### Screws required for step 9

P1 x 2, P3 x 8

**Attach The End Of The Run:** Place door panel T at the end of the run as shown. Locate the pre-drilled holes on the edge of the side panels and use screws P3 x 4 to attach.

Place part S on top of T, then locate the pre-drilled holes along the sides and use screws P3 x 4 to attach.

Next, locate the pre-drilled holes along the top edge of T. Use screws P1 x 2 to attach.



## How to Assemble the Heidi Step 10

### PARTS

**Parts required for step 10**

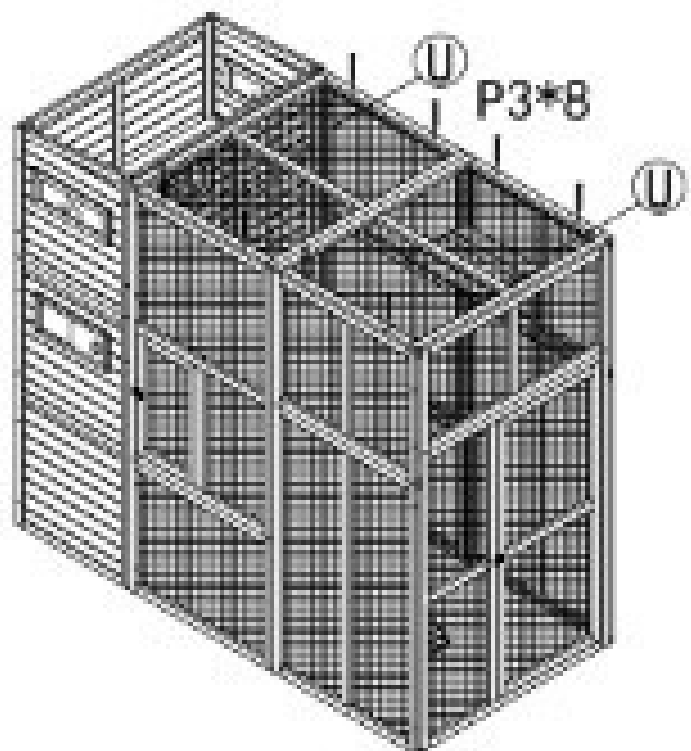
U x 2

**Screws required for step 10**

P3 x 8

### Attach The Top Of The Run:

Place U x 2 over the top of the run, take note of the location of the pre-drilled holes. Use screws P3 x 8 to attach.



**STEP10**

## How to Assemble the Heidi Step II

**PARTS**

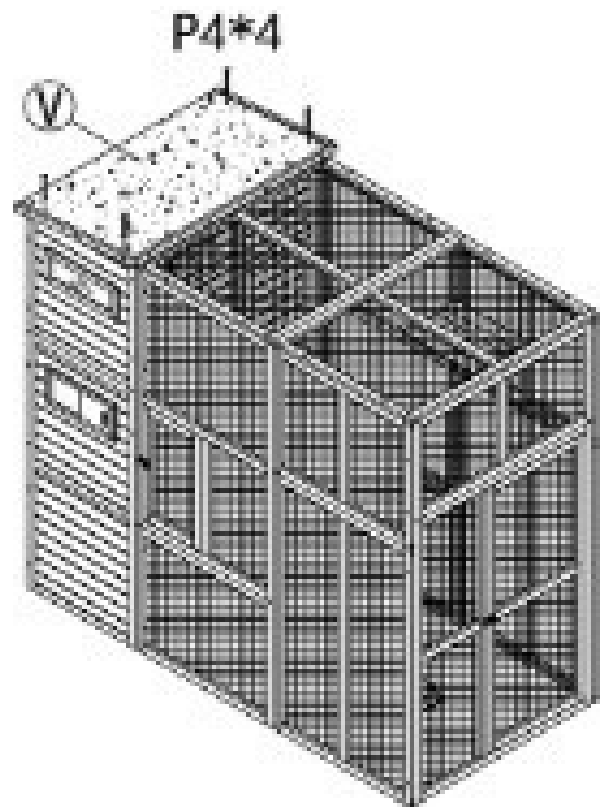
Parts required for step 11

V

Screws required for step 11

P4 x 4

**Attach The House Roof:** Place part V over the house section. Locate the pre-drilled holes in the roof and use screws P4 x 4 to attach.



# Product Dimensions



## Heidi Dimensions



L1990mm x W1030mm x H1750mm House: L550mm Door: W500mm x H1180mm Shelves: L370mm x W280mm





## FAQ

Frequently asked questions

### Contact Information

Phone: 02 4340 4200

Email: [info@somerzby.com.au](mailto:info@somerzby.com.au)

### Customer Service Office Hours

Monday – Thursday: 9:00am – 4:30pm

Friday: 9:00am – 4:00pm

Saturday & Sunday: Closed

Public holidays: Closed

[www.somerzby.com.au](http://www.somerzby.com.au)

**#somerzby**

