

HOLLY TRACTOR

ASSEMBLY GUIDE



Welcome!

Congratulations on becoming an owner of a premium Somerzby Holly Tractor! We hope it brings you and your pet/s many years of enjoyment and contentment.

When your flat pack arrives, please check all items for any damage that might have occurred in transit.



02 4340 4200

info@somerby.com.au

What you will need



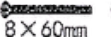
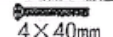
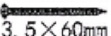
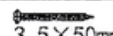
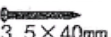
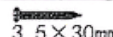






You'll need a battery-powered screwdriver or drill with a Phillips head bit, as well as a flat, level surface to ensure proper alignment of all doors during assembly.

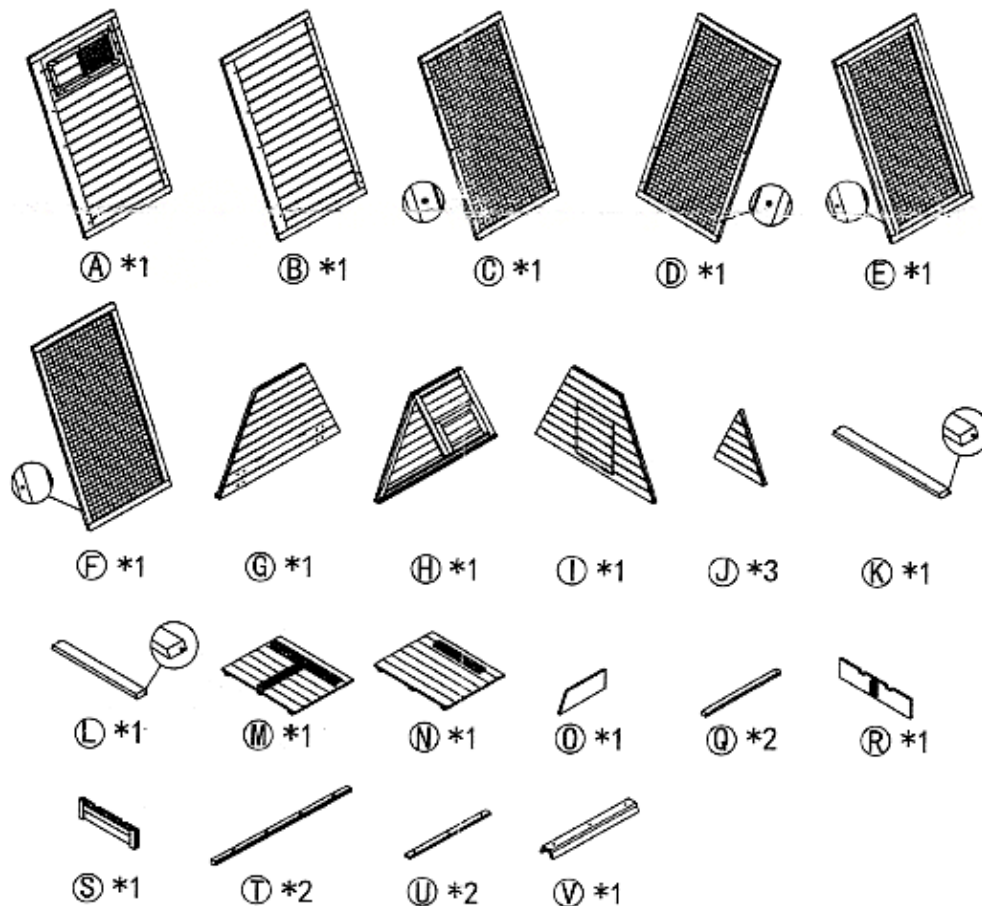
Important Things To Note



- The instructions and screws can be found in carton #1.
- A strong smell may be present when opening. This is the natural timber scent and is not harmful to humans or animals. It will fade over time, especially when placed outdoors.
- When joining two panels, the 1st panel has a guide hole to show where the screw goes. The 2nd panel does not have a predrilled hole. The screw goes directly into the solid timber and forms a tighter join.
- You may notice a shiny or powdery residue on the panels; this is crystallised sap from the natural wood-drying process. It's completely safe for pets and people and can be wiped off or left as is.

Check list

P1	 8 × 60mm	8pcs	P2	 4 × 40mm	4pcs
P3	 3.5 × 60mm	12pcs+1spare	P4	 3.5 × 50mm	16pcs+1spare
P5	 3.5 × 40mm	32pcs+1spare	P6	 3.5 × 30mm	12pcs+1spare
P7	 3 × 25mm	8pcs+1spare	P8	 80mm	2pcs
P9	 120mm	2pcs	P10	 50mm	4pcs
P11		1pc			
P13		2pcs			



What you will need

Parts A, B, C, D, E, F are squared off at 90 degrees at the top and approximately 45 degrees at the bottom. Make sure the squared off end is at the top

How to Assemble the Holly Tractor Step I

PARTS

Parts required for step 1:

A, G, P9x2, P10

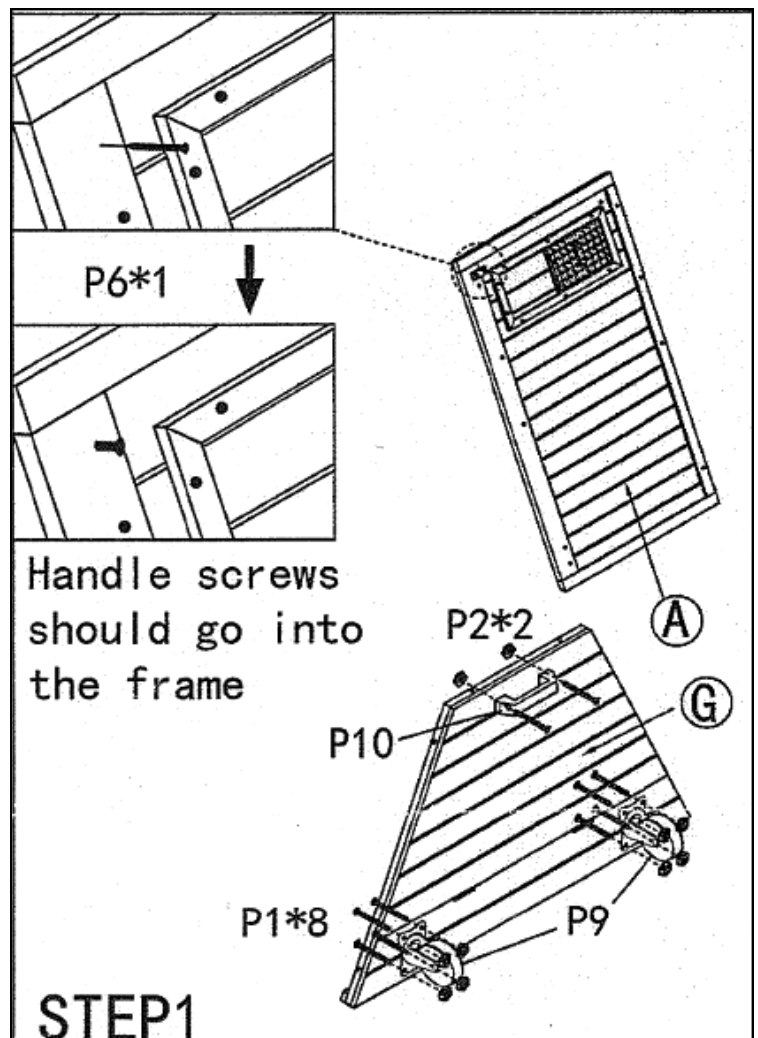
Screws: P1 x 8, P2 x 2, P x 1, P6 x 1

Adding the Wheels:

Using the holes on wheels P9 x 2, attach to panel G with screws P1 x 8.

Attach P10 to G: Attach handle P10 to panel G as shown, using screws P2 x 2

Attach P6 to A: Insert the P6 screw into panel A as shown, and tighten it just enough to keep in place without it falling out. This will be used to hold the wooden block of the rope lever.



How to Assemble the Holly Tractor Step 2

PARTS

Parts required for step 2:

A, G, J x 2, H, P11, P12

Screws: P7 x 1, P5 x 9

NOTE: Parts A, B, C, D, E, F are squared off at 90 degrees at the top and approx 45 degrees at the bottom. Ensure the squared off end is at the top.

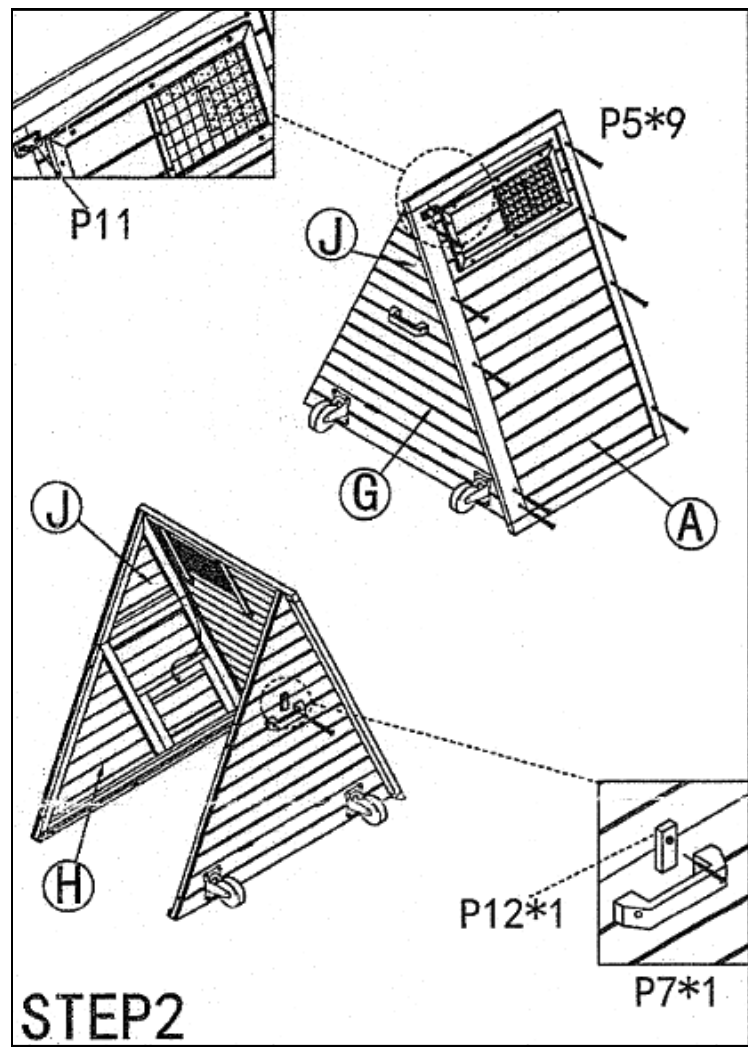
Assemble The Back and Side:

Align part A with part G as shown. Use the predrilled holes along the edge of A and use screws P5 x 3 to attach. Next, place part J on top of G and use the predrilled holes along the edge of A to attach with screws P5 x 2.

Attach The Rope: Thread the rope through the hole on the top right of A. Place P11 over the screw located at the top left of part A (added in step 1).

Attach The Door Latch: Using the predrilled hole on P12, use screw P7 x 1 to attach above door panel J. Do not overtighten, as the fitting must rotate to lock the door.

Assemble The Front: Align panel H next to panel A. Locate the predrilled holes along the edge of A and use screws P5 x 2 to attach. Next, place panel J on top of H and use the predrilled holes along the edge of A to attach with screws P5 x 2.



How to Assemble the Holly Tractor Step 3

PARTS

Parts required for step 3:

M, N, O, Q, R, S

Screws: P5 x 2, P6 x 2

Assemble The Internal Flooring:

Insert part R into the guides on M as shown.

Use screws P6 x 2 to secure R to M.

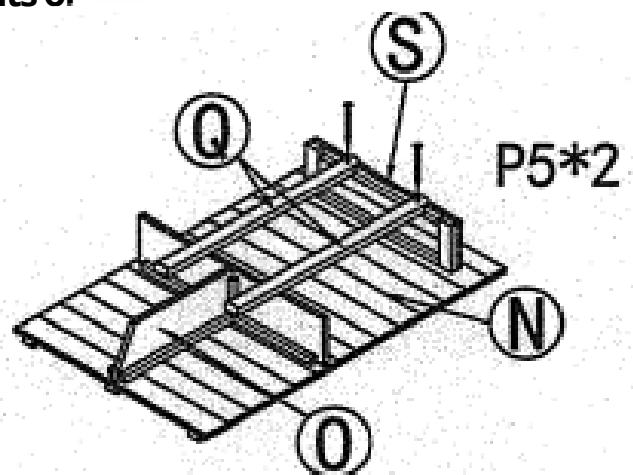
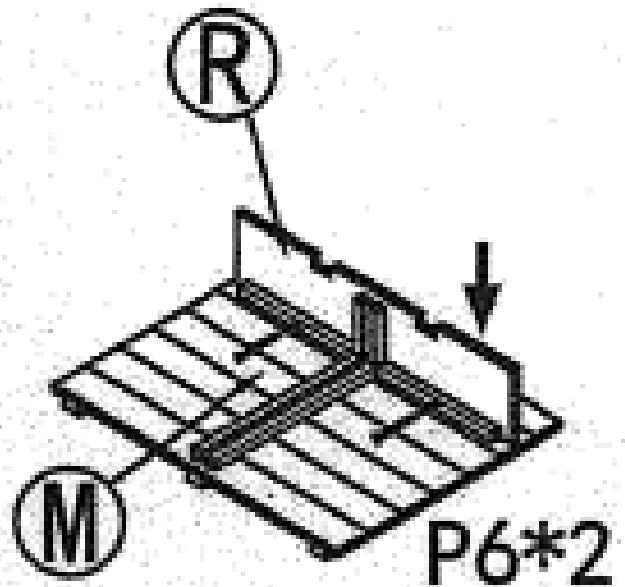
Next, attach S to N, as shown. Use screws

P5 x 2 to secure.

Connect this section (S and N)
to the first section (M and R).

Then, insert 2 x Q, they should
align neatly into the slots on both
parts S and R. Slide in divider 'O' as shown.

Note: Perches Q x 2 can be left out if not using for chickens or kept in as a safe chew toy for rabbits or guinea pigs.



STEP3

How to Assemble the Holly Tractor Step 4

PARTS

Screws required for step 4:

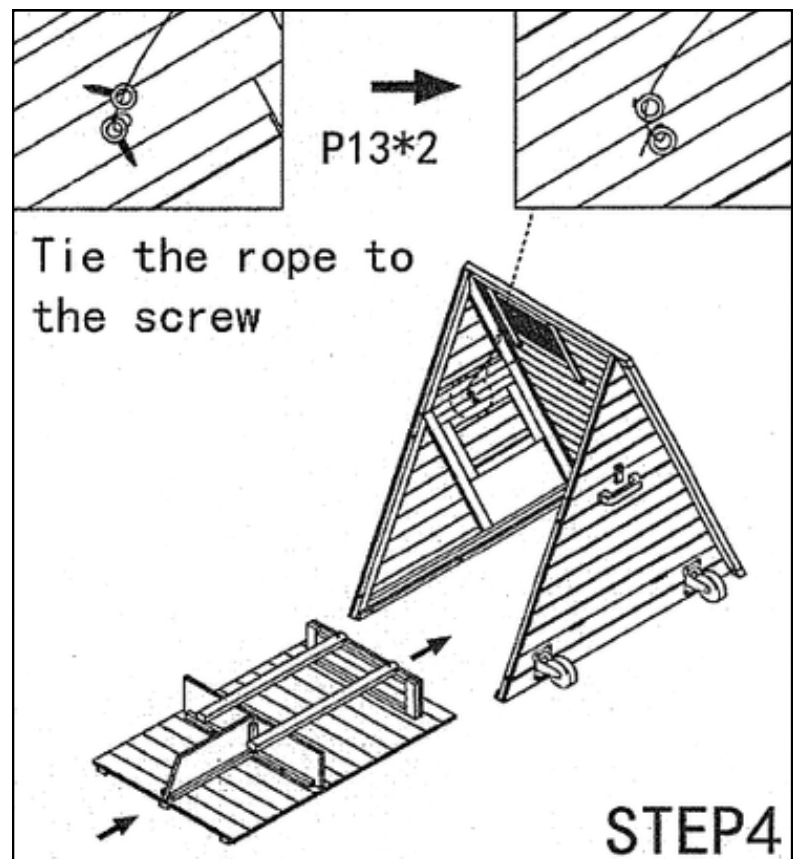
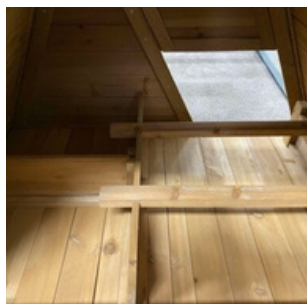
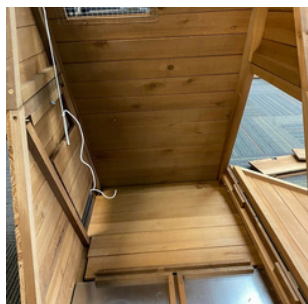
P13 x 2

Adding the internal floor section:

Tie the end of the door string to screw P6 to hold it open.

The door must be open while installing the internal floor section.

Place the assembled floor section inside as shown.



How to Assemble the Holly Tractor Step 5

PARTS

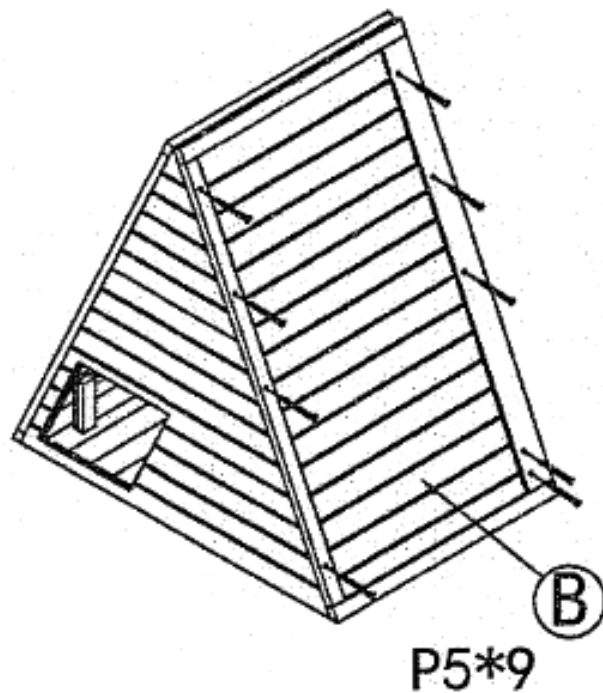
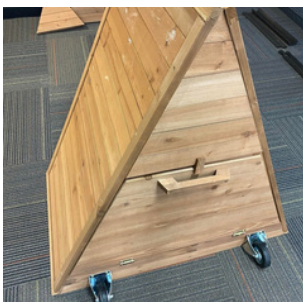
Parts required for step 5:

B

Screws: P5 x 9

Finish The House Section:

Align panel B to the assembled side sections as shown. Locate the predrilled holes along the edges and use screws P5 x 9 to attach.



STEP5

How to Assemble the Holly Tractor Step 6

PARTS

Parts required for step 6:

C, D, E, F, I, J, L, P12

Screws: P5 x 10, P7 x 1

NOTE: Parts A, B, C, D, E, F are squared off at 90 degrees at the top and approx 45 degrees at the bottom. Ensure the squared off end is at the top.

Assemble The Run:

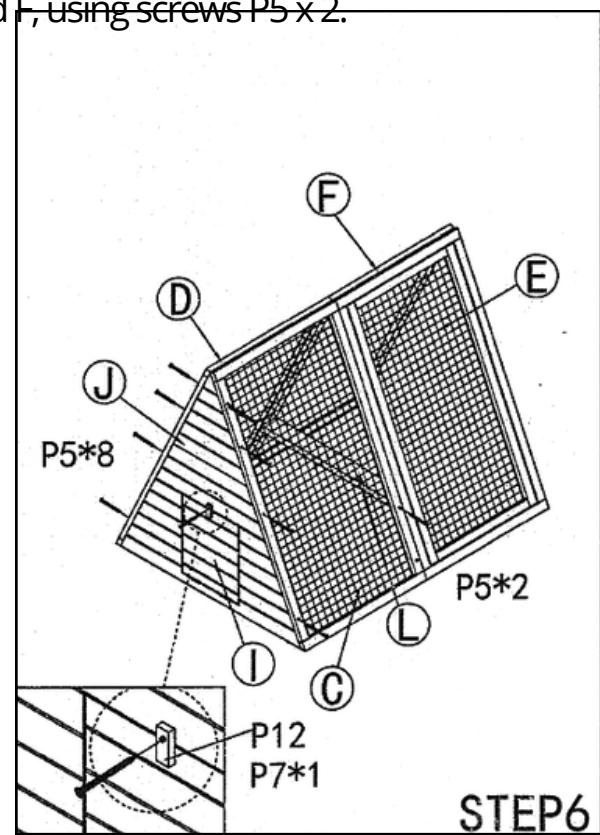
Align panel C with I as shown. Ensure the stapled wire side faces in. Locate the predrilled holes along the edge of C and use screws P5 x 2 to attach. Next, place panel J on top of I and attach through the predrilled holes of panel C using screws P5 x 2.

Add panel D using screws P5 x 4, followed by panels E and F, using screws P5 x 2. (E and F have holes on both sides of the inside of the frame.)

Place panel L (brace) in the middle of the run and secure it to the frame using the dowels on each end.

Attach latch P12, using screw P7.

Do not overtighten, as the fitting must rotate to open & close the door.



How to Assemble the Holly Tractor Step 7

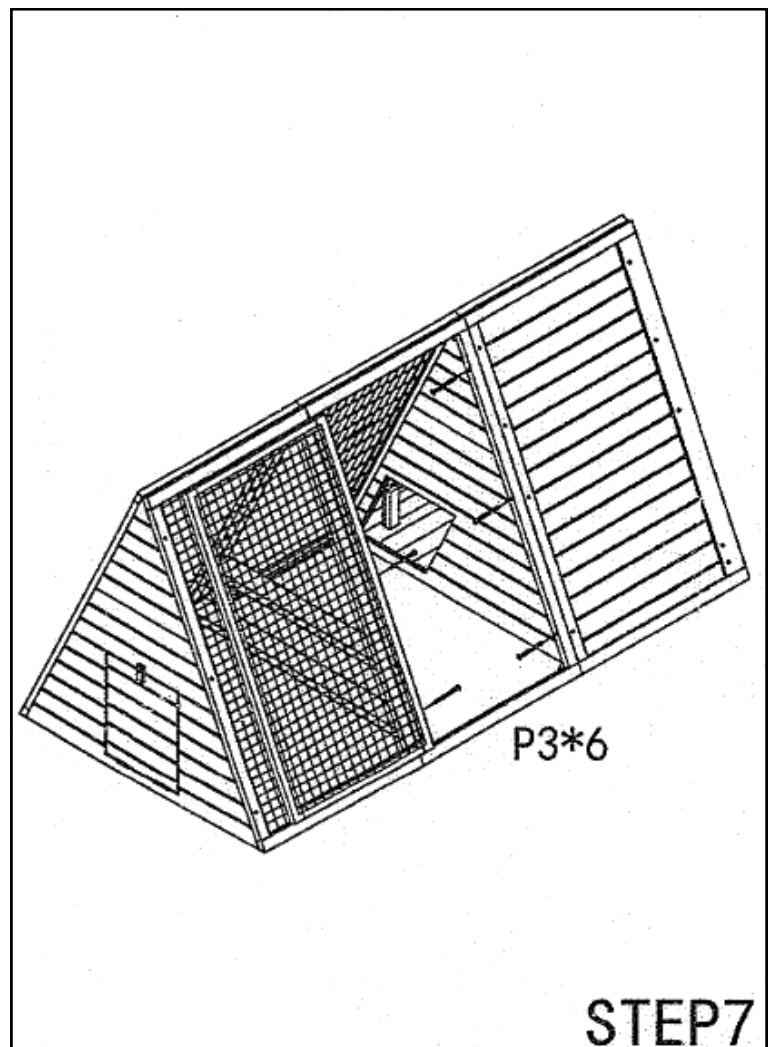
PARTS

Parts required for step 7:

Screws: P3 x 6

Adding the run section

Open the run door, then align the run to the assembled house section as shown. Locate the predrilled holes along the inner sides of the run and use screws P3 x 6 to attach.



How to Assemble the Holly Tractor Step 8

PARTS

Parts required for step 8:

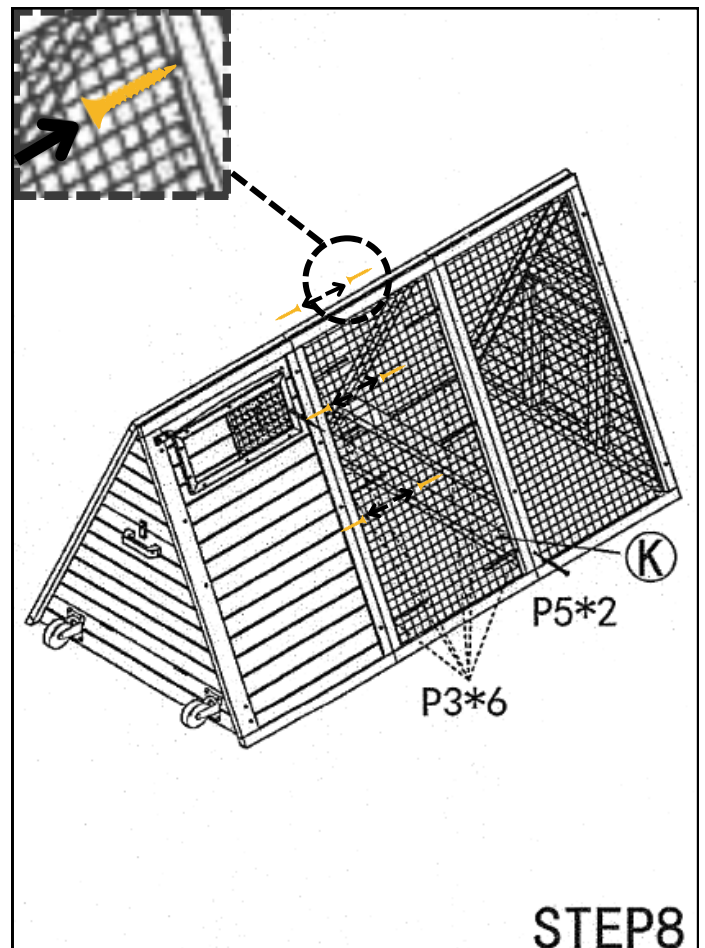
K

Screws: P3 x 6, P5 x 2

Complete the run section

With the run door open, position part K under L, align the dowels, and use screws P5 x 2 to attach to the frame.

Using the predrilled holes along the inner edge of F, use screws P3 x 6 to secure to the panels either side.



How to Assemble the Holly Tractor Step 9

PARTS

Parts required for step 9:

T x 2, P12 x 2, P8 x 2.

Screws: P2 x 2, P4 x 16, P8 x 2

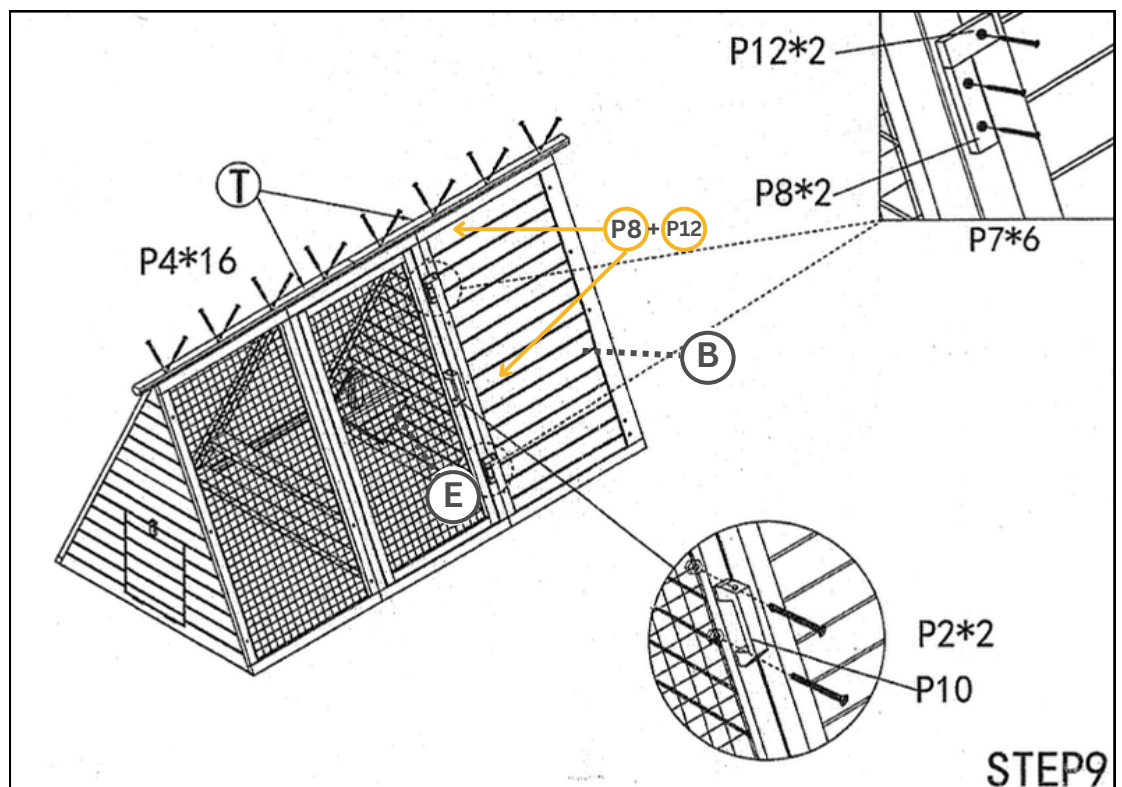
Add the Handles:

Attach the first (handle) P8 to E using P7 x 2, then fix P12 to B at the top using P7 x 1. Repeat for the second (handle) P8 at the bottom.

Secure P10 (handle) to E using P2 x 2

Attach The Roof Cap and Handles:

Align T x 2 along the top of the enclosure as shown, with the angled side facing down. Use screws P4 x 16 to attach through the predrilled holes.



How to Assemble the Holly Tractor Step FINISH

PARTS

Parts required to Finish:

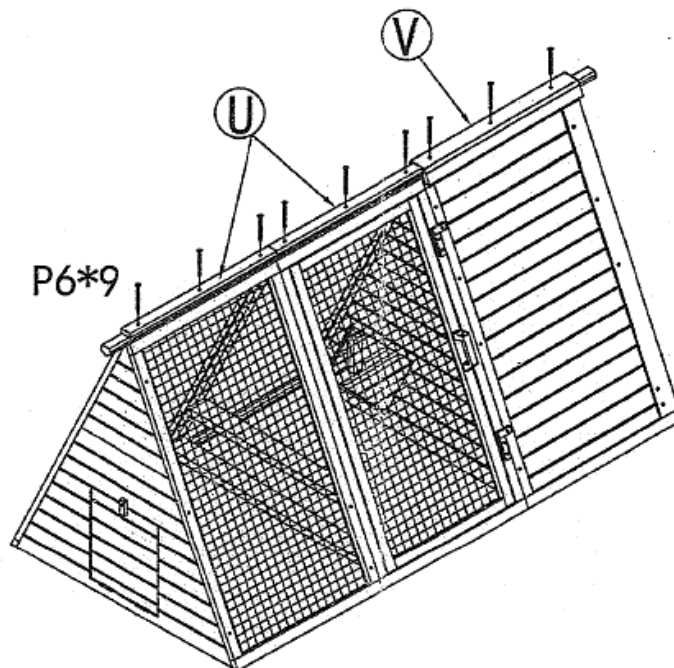
U, x 2, V

Screws: P6 x 9

Finish The Roof Caps:

Align U x 2 along the top of the run section and secure with P6 x 6.

Place V along the top of the house section and secure through the predrilled holes using P6 x 3.



FINISH

Product Dimensions





FAQ

Frequently asked questions

Contact Information

Phone: 02 4340 4200

Email: info@somerzby.com.au

Customer Service Office Hours

Monday – Thursday: 9:00am – 4:30pm

Friday: 9:00am – 4:00pm

Saturday & Sunday: Closed

Public holidays: Closed

www.somerzby.com.au

#somerzby

