

HOMESTEAD/ESTATE RUN

ASSEMBLY GUIDE



Welcome!

Congratulations on becoming an owner of a premium Somerzby product! We hope it brings you and your pet/s many years of enjoyment and contentment.

When your flat pack arrives, please check all items for any damage that might have occurred in transit.



02 4340 4200

info@somerby.com.au

What you will need








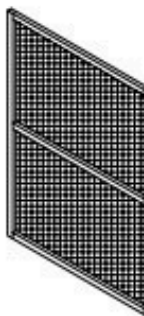



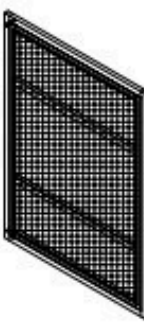
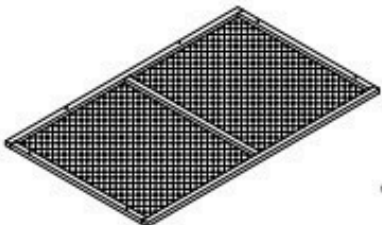
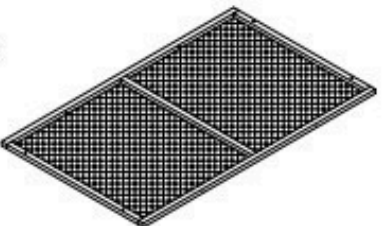

You'll need a battery-powered screwdriver or drill with a Phillips head bit, as well as a flat, level surface to ensure proper alignment of all doors during assembly.

Important Things To Note



1. The instructions and screws can be found in carton #1.
2. When joining two panels, the 1st panel has a guide hole to show where the screw goes. The 2nd panel does not have a predrilled hole. The screw goes directly into the solid timber and forms a tighter join.
3. You may notice a shiny or powdery residue on the panels; this is crystallised sap from the natural wood-drying process. It's completely safe for pets and people and can be wiped off or left as is.

Check list

 P1 3.5 × 60mm 28pcs+1 spare	 P2 3.5 × 50mm 42pcs+1 spare	 P3 3.5 × 45mm 8pcs+1 spare		
 (A) X1	 (B) X2	 (C) X2	 (D) X1	 (E) X2
 (F) X1	 (G) X1	 (H) X2	 (I) X1	 (J) X4

How to Assemble the Homestead/Estate Run Step 1

PARTS

Parts required for step 1

A, E, F, G

Screws

P2 x 8

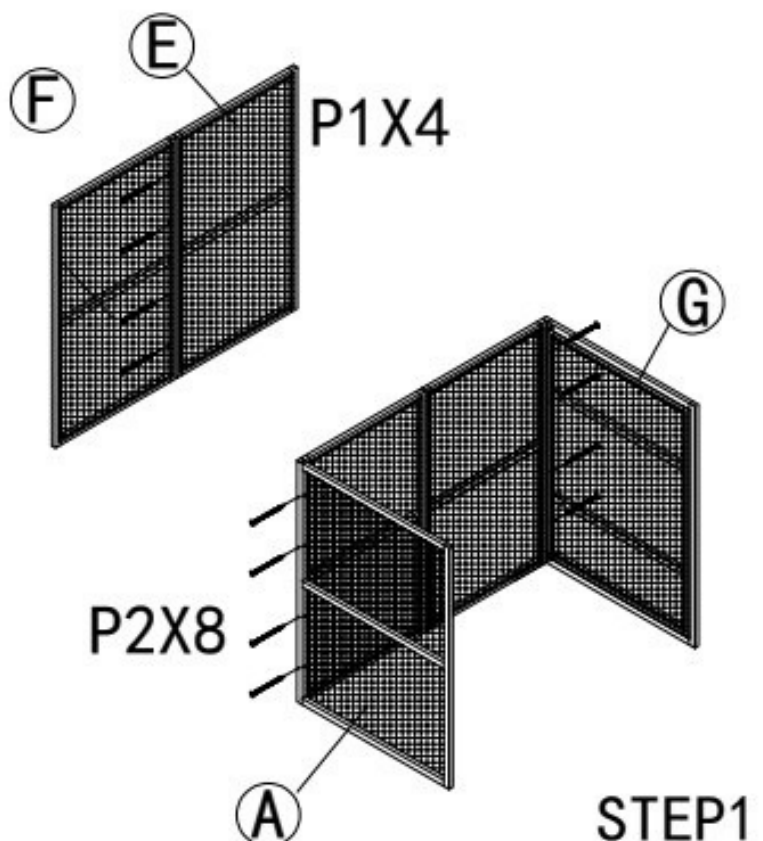
Assembling The End Section

Align Panel E with Panel F, ensuring the stapled side of the wire is facing the same way. Locate the predrilled guide holes on the inner edge of panel F, then use screws P1 x 4 to attach.

Locate the predrilled holes along the edge of panel A. Align panel A to F as shown, ensuring the stapled side of the wire is facing in.

Use screws P2 x 4 to attach.

Next, locate the predrilled holes on panel G and align with panel E, ensuring the stapled side of the wire is facing in. Use screws P2 x 4 to attach.



How to Assemble the Homestead/Estate Run Step 2

PARTS

Parts required for step 2

B x 2

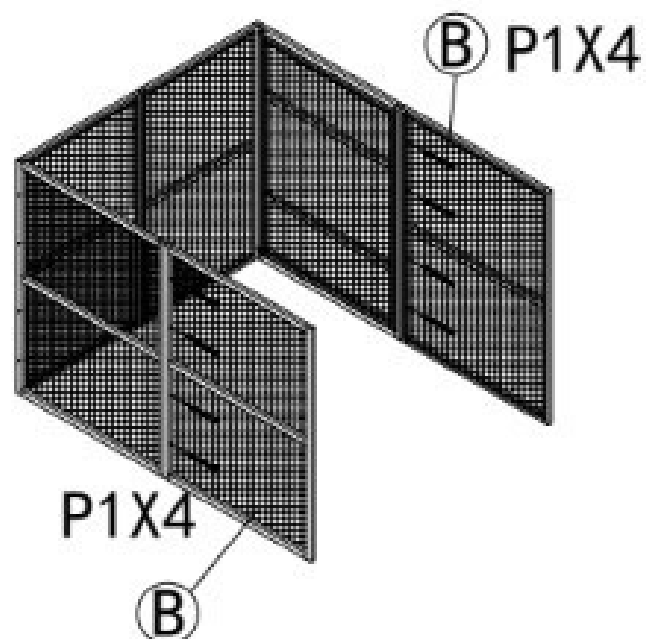
Screws

P1 x 8

Assembling The Sides

Locate the predrilled holes on the inner edge of panel B and align with panel A, ensuring the stapled side of the wire is facing in. Use screws P1 x 4 to attach.

Locate the predrilled holes on the second panel B and align with panel G, ensuring the stapled side of the wire is facing in. Use screws P1 x 4 to attach.



How to Assemble the Homestead/Estate Run Step 3

PARTS

Parts required for step 3

C x 2

Screws

P1 x 8

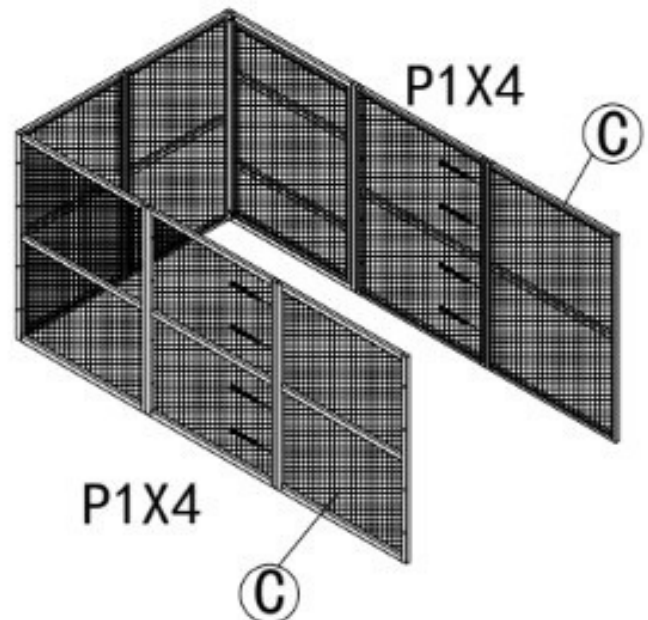
Assembling The Sides

Locate the predrilled holes on panel B and align with panel C, ensuring the stapled side of the wire is facing in.

Use screws P1 x 4 to attach.

Locate the predrilled holes on the other panel B and align with the second panel C, ensuring the stapled side of the wire is facing in.

Use screws P1 x 4 to attach.



STEP3

How to Assemble the Homestead/Estate Run Step 4

PARTS

Parts required for step 4

D, E

Screws

P1 x 4, P2 x 8

Assembling The End Panels

Align panel D with E, ensuring the stapled wire side faces the same way.

Using the pre-drilled holes along the inside edge of Panel D, attach it to

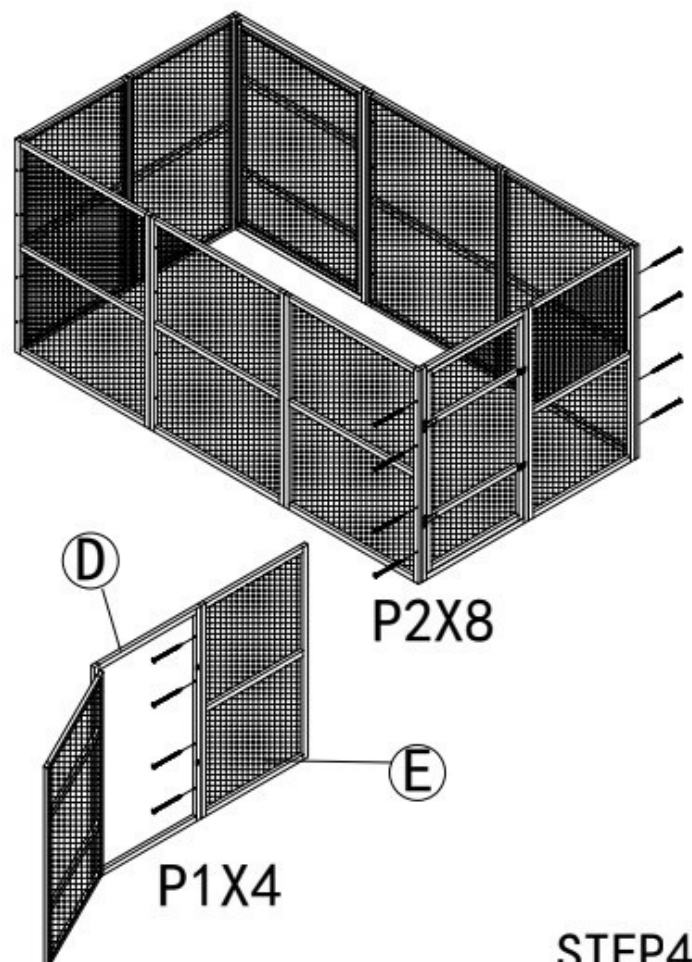
Panel E with P1 x 4 screws.

Attach The End Panels

Align the assembled end panel (E+D)

with the sides at the end of the run.

Locate the pre-drilled holes on the side panels and use screws P2 x 8 to attach.



STEP4

How to Assemble the Homestead/Estate Run Step 5

PARTS

Parts required for step 5

H x 1, I, J x 4

Screws

P2 x 10, P3 x 8

Attaching The Roof Panels

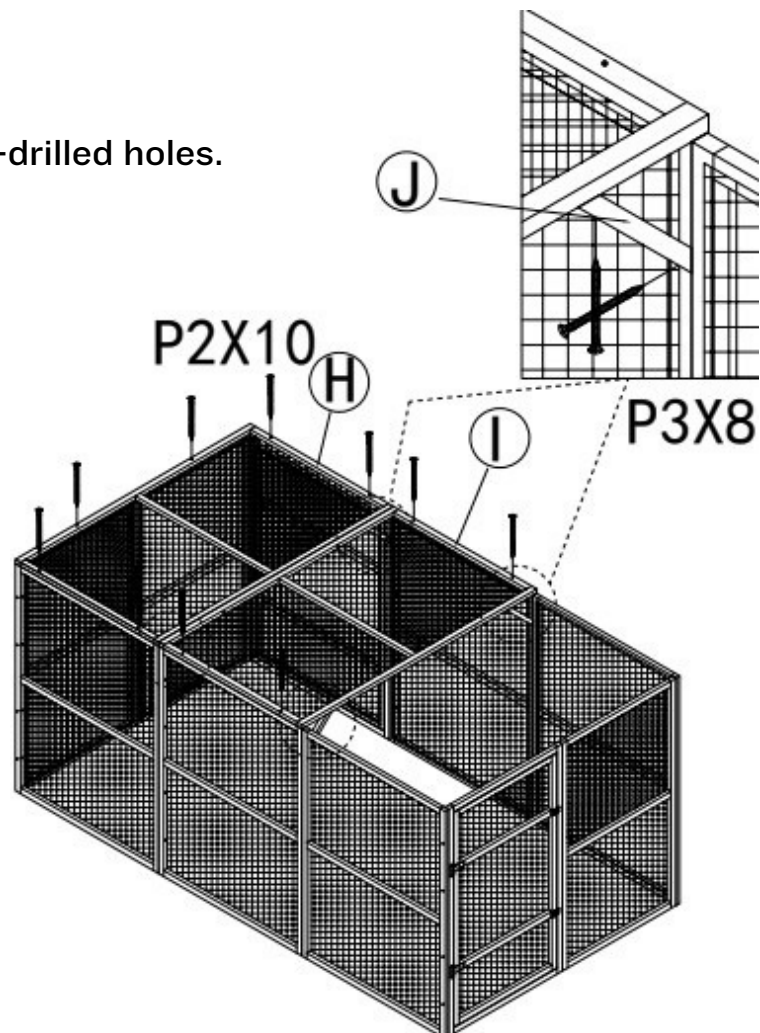
Position panels H x I and I on top of the side panels as shown in the diagram, with all stapled wire sides facing down.

Align the panels carefully, noting the pre-drilled screw hole locations.

Use screws P2 x 10 to secure the roof panels to the top of the sides using the pre-drilled holes.

Place part J x 4 in the corners between the side and roof panels as shown.

Use screws P3 x 8 to attach through the pre-drilled holes.



How to Assemble the Homestead/Estate Run Step FINISH

PARTS

Parts required for step FINISH

H

Screws

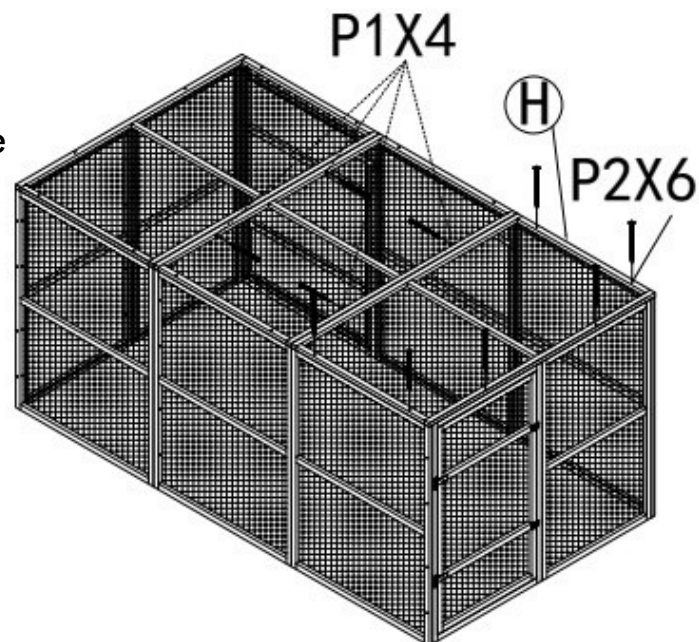
P1 x 4, P2 x 6

Attaching The Last Roof Panel

Position the second panel H x I on top of the side panels, with the stapled wire side facing downward, noting the pre-drilled screw hole locations.

Use screws P2 x 6 to secure the roof panel to the sides using the pre-drilled holes.

Secure panel I to both H panels through the pre-drilled holes on the inside edges of I using screws P1 x 4.



FINISH

How to Attach the Run to the Estate OR Homestead

PARTS

Parts required for step FINISH

Screws

P2 x 8

Note: This step is only required if you have purchased an additional enclosure to attach to the run.

Attaching the Run to the Estate or Homestead Enclosure

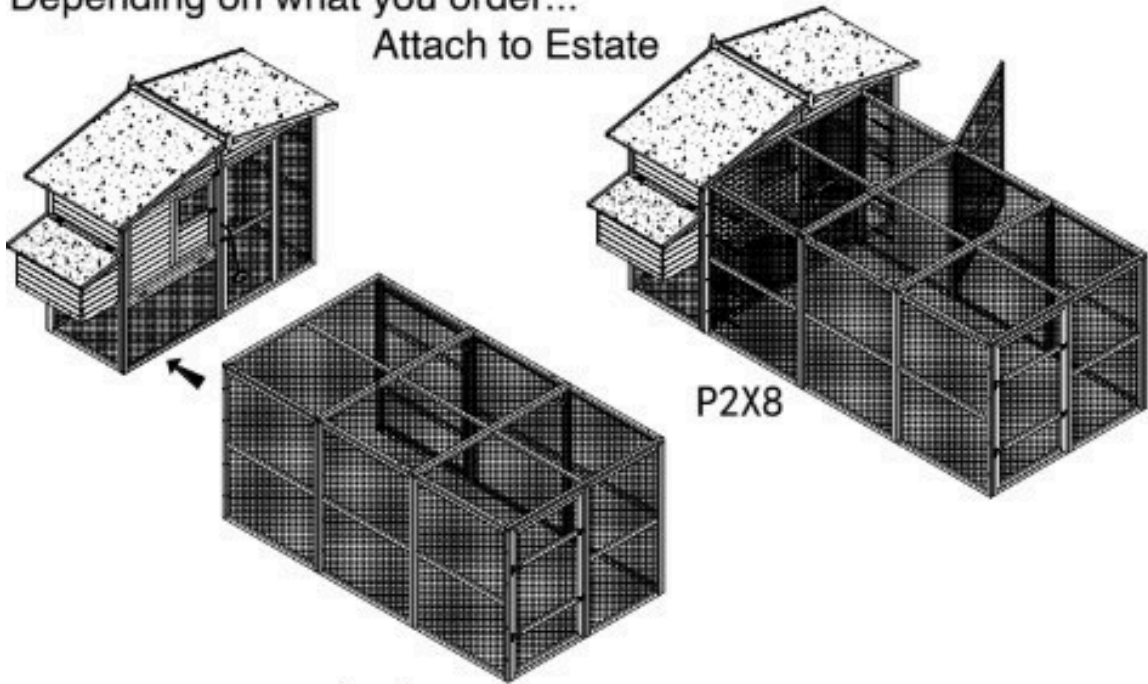
Remove end panels E and F from the run. Then, align the open end of the run with the enclosure as shown in the diagram.

Use P2 x 8 screws to secure the run to the enclosure through the pre-drilled holes along the inside edge of the run.

Note: When attaching the run to an enclosure, panels E and F are not needed - you will have two spare panels.

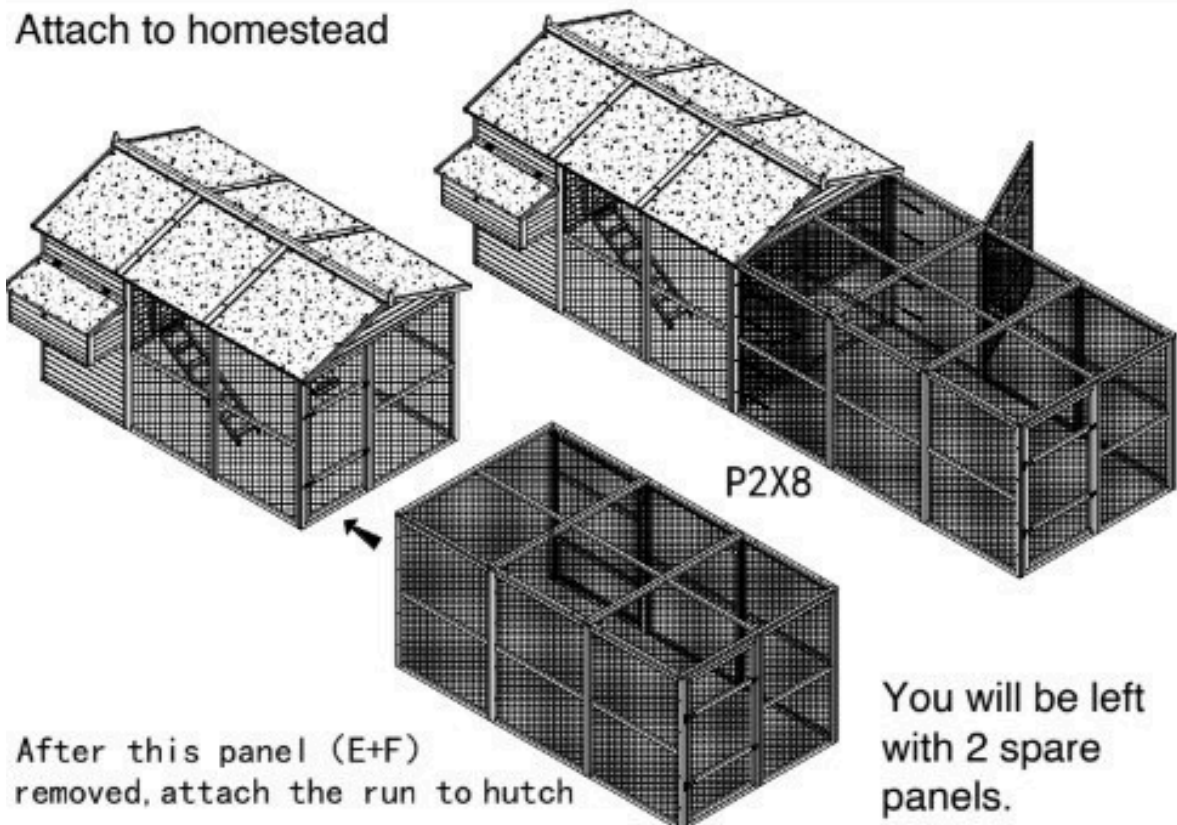
Depending on what you order...

Attach to Estate



After this panel (E+F)
removed, attach the run to hutch

Attach to homestead



After this panel (E+F)
removed, attach the run to hutch

You will be left
with 2 spare
panels.

Product Dimensions





FAQ

Frequently asked questions

Contact Information

Phone: 02 4340 4200

Email: info@somerzby.com.au

Customer Service Office Hours

Monday – Thursday: 9:00am – 4:30pm

Friday: 9:00am – 4:00pm

Saturday & Sunday: Closed

Public holidays: Closed

www.somerzby.com.au

#somerzby

