

MAJESTIC ASSEMBLY GUIDE



Welcome!

Congratulations on becoming an owner of a premium Somerzby product! We hope it brings you and your pet/s many years of enjoyment and contentment.

When your flat pack arrives, please check all items for any damage that might have occurred in transit.



02 4340 4200

info@somerby.com.au

What you will need









You'll need a battery-powered screwdriver or drill with a Phillips head bit, as well as a flat, level surface to ensure proper alignment of all doors during assembly.

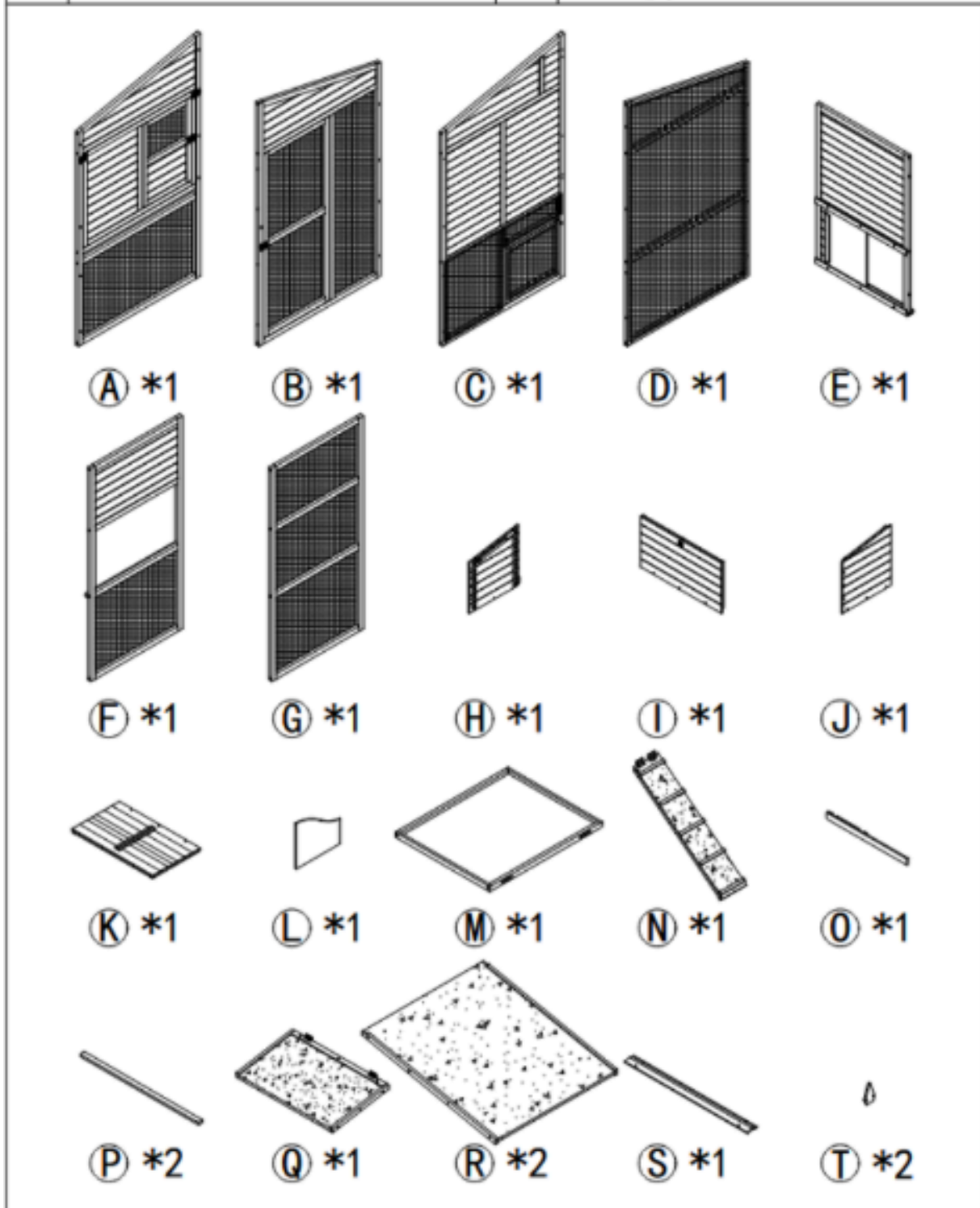
Important Things To Note



- The instructions and screws can be found in carton #1.
- A strong smell may be present when opening. This is the natural timber scent and is not harmful to humans or animals. It will fade over time, especially when placed outdoors.
- When joining two panels, the 1st panel has a guide hole to show where the screw goes. The 2nd panel does not have a predrilled hole. The screw goes directly into the solid timber and forms a tighter join.
- You may notice a shiny or powdery residue on the panels; this is crystallised sap from the natural wood-drying process. It's completely safe for pets and people and can be wiped off or left as is.

Check list

P1	 3.5×60mm	8pcs+1spare	P2	 3.5×45mm	22pcs+1spare
P3	 3.5×35mm	11pcs+1spare	P4	 3.5×25mm	29pcs+1spare
P5	 3×16mm	14pcs+1spare	P6		1pc (400mm)



How to Assemble the Majestic Step I

PARTS

Parts required for step 1

A, C, E, F

Screws:

P2 x 14

Assemble The Housing Area:

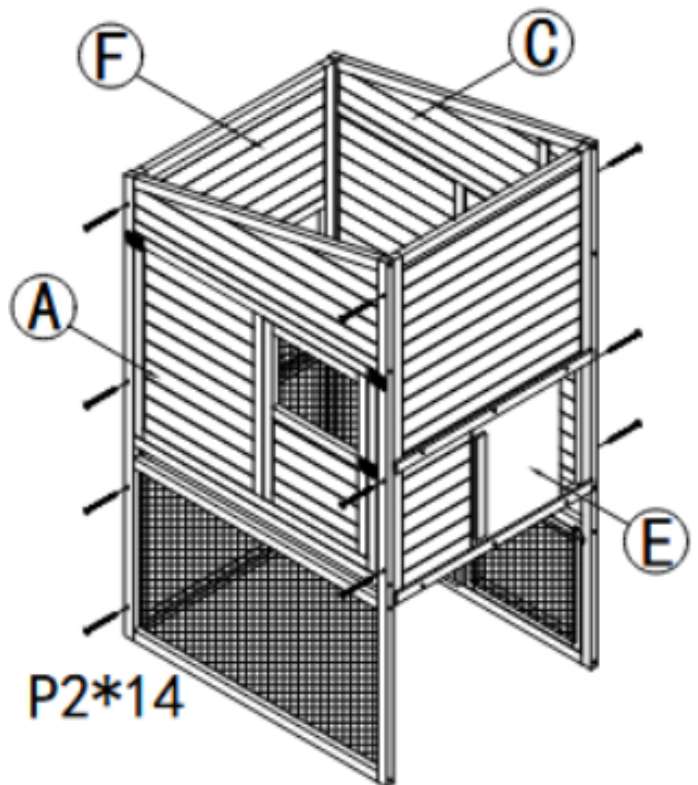
Attach Panel A to F: Align panels A and F, ensuring the stapled side of the wire is on the inside. Locate the pre-drilled holes on panel A. Use screws P2 x 4 to attach,

Attach Panel F to C: Align panels F and C, ensuring the stapled side of the wire is on the inside. Locate the pre-drilled holes on panel C. Use screws P2 x 4 to attach.

Attach Panel E to A and C:

Use the guide dowels on panel E to slot into A and C ensuring the U shaped roosting pole holders on panel E face internally.

Use the pre-drilled holes on A and C attach to panel E using screws P2 x 6.



How to Assemble the Majestic Step 2

PARTS

Parts required for step 2

H, I, J, K

Screws:

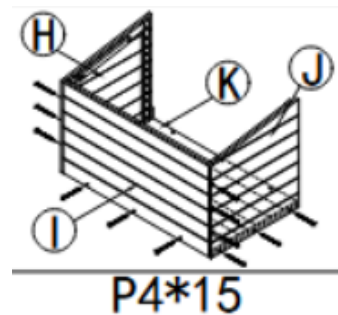
P4 x 6, P3 x 3

Assemble The Nesting Box:

Place part I on a flat surface, align panels K, H and J to form the base and sides.

Ensure the pre-drilled holes on base panel K are located at the open side and the divider slots of I and K are facing in towards each other.

Using the pre-drilled holes, screw panels K, H, I and J together using screws P4 x 15.

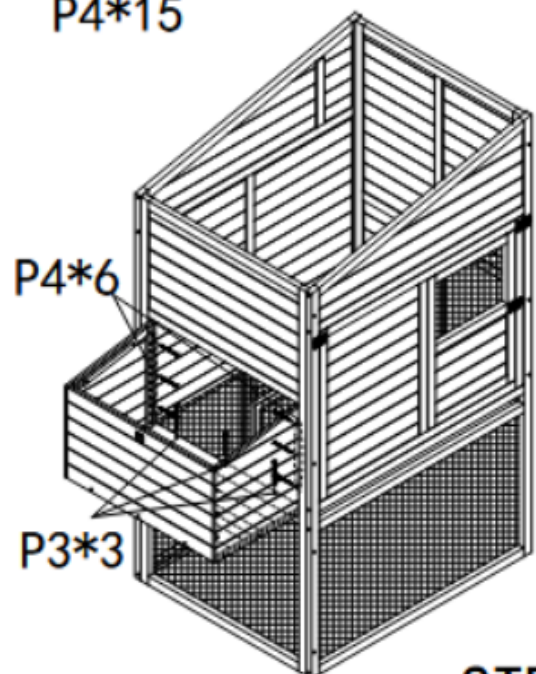


Attach The Nest Box To The House:

Align the nest box into the opening of the side of the house, ensuring it is flush with the edges.

Using the pre-drilled holes on the nest box, use screws P3 x 3 to attach the base of the box to the house.

Use screws P4 x 6 to attach the sides of the nest box to the house.



STEP2

How to Assemble the Majestic Step 3

PARTS

Parts required for step 3

L, O, P x 2

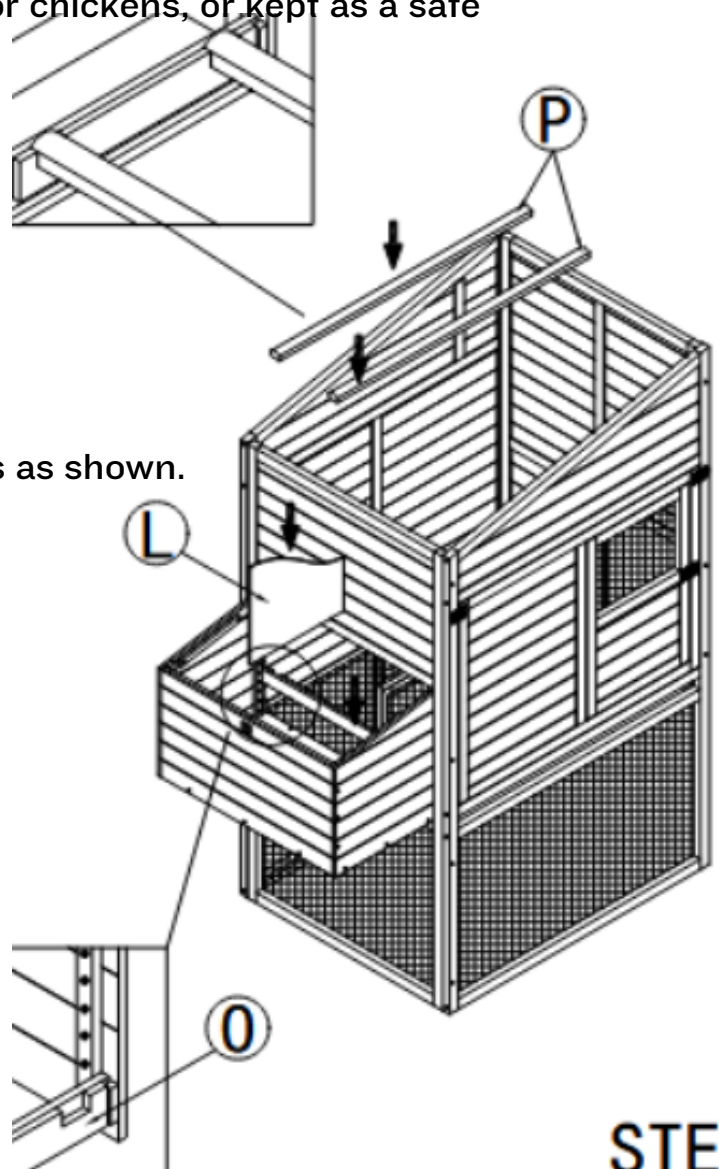
Position Roosting Poles: Place 2 x P into the 'U' shaped holders inside the house.

Note: These can be left out if not using for chickens, or kept as a safe chew toy for rabbits and guinea pigs.

Add The Nest Box Components:

Place part O along the inside edge of the nest box, with the roosting pole holders facing towards the house.

Next, slide part L into the nest box guides as shown.



How to Assemble the Majestic Step 4

PARTS

Parts required for step 4

M, N, P6

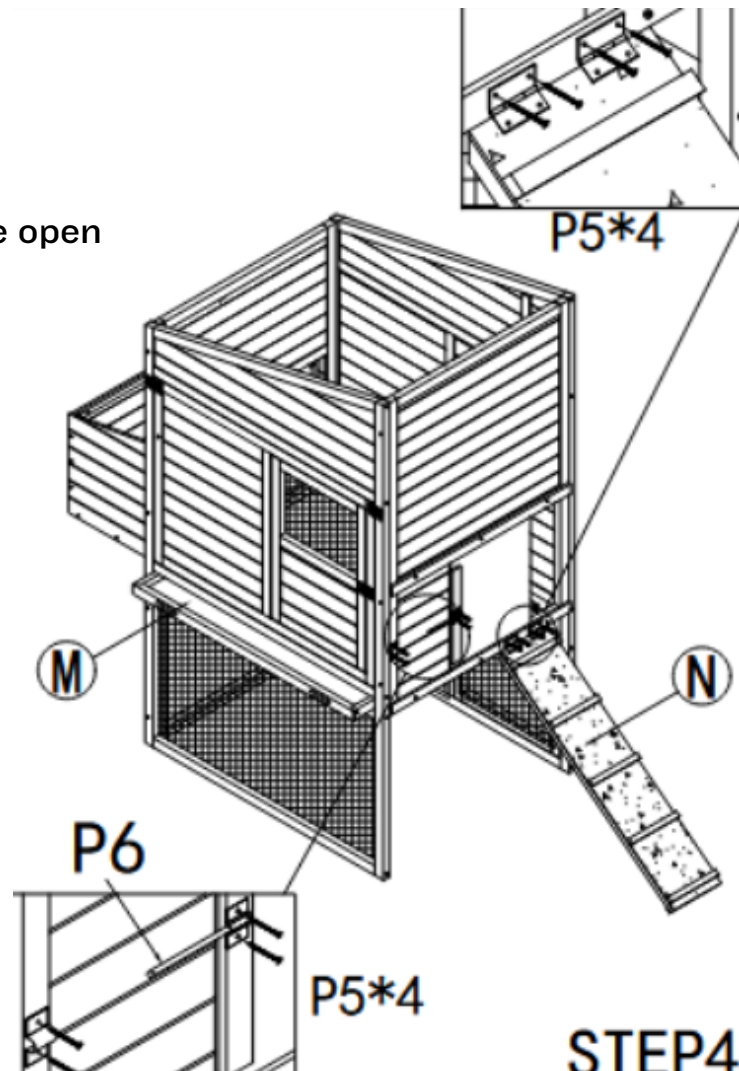
Screws

P5 x 8

Attach The Ramp: Position part N below the entry way to the door as shown. Use screws P5 x 4 to attach through the hinges.

Attach The Handle Component To The Door: Use screws P5 x 4 to attach the small metal rod halfway up the front edge of the sliding door.

Insert The Pull Out Tray: Slide part M into the open slot of the house. Ensure the handle side is positioned at the front.



STEP4

How to Assemble the Majestic Step 5

PARTS

Parts required for step 5

B, D, P6

Screws

P1 x 8

Assemble The Run Area:

Attach B to A; Locate the pre-drilled holes on the inner edge of panel B.

Align with the side of panel A, ensuring the wire side with staples is facing in.

Use screws P1 x 4 to attach.

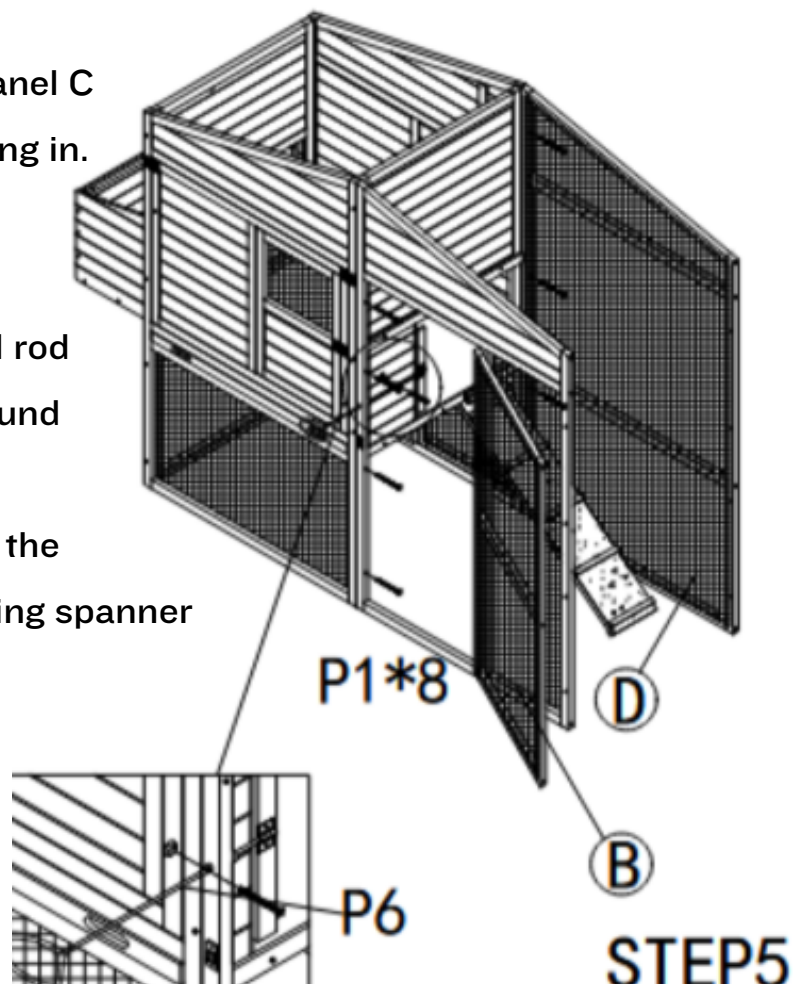
Attach D to C: Locate the pre-drilled

holes on panel D. Align with the side of panel C ensuring the wire side with staples is facing in.

Use screws P1 x 4 to attach.

Finish The Sliding Handle: Slide the small rod through the guide bracket and into the round hole on the run panel.

Join the two handle pieces together from the outside using the P6 nut and bolt- a shifting spanner may be required.



How to Assemble the Majestic Step 6

PARTS

Parts required for step 6

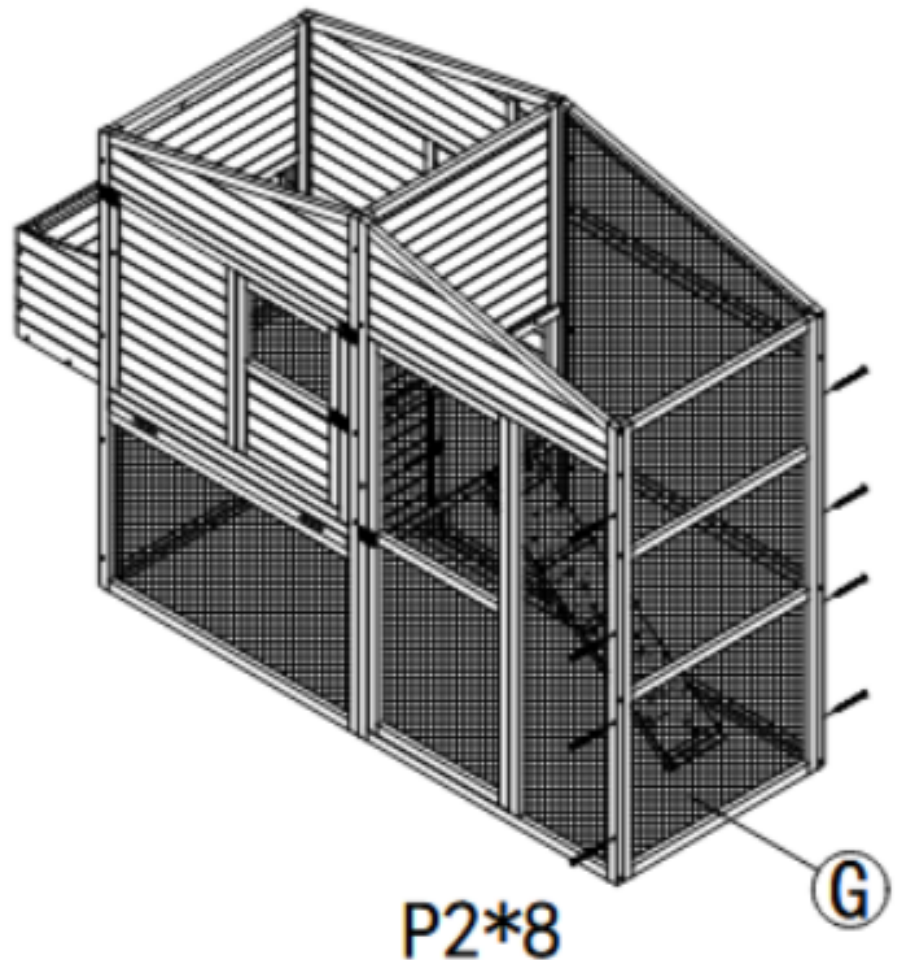
G

Screws

P2 x 8

Attach G to B and D: Align panel G between panels B and D, ensuring the wire side with staples is facing in.

Locate the pre-drilled holes along the front edge of B and D, then use screws P2 x 8 to attach.



STEP6

How to Assemble the Majestic Step 7

PARTS

Parts required for step 7

R x 2, Q

Screws

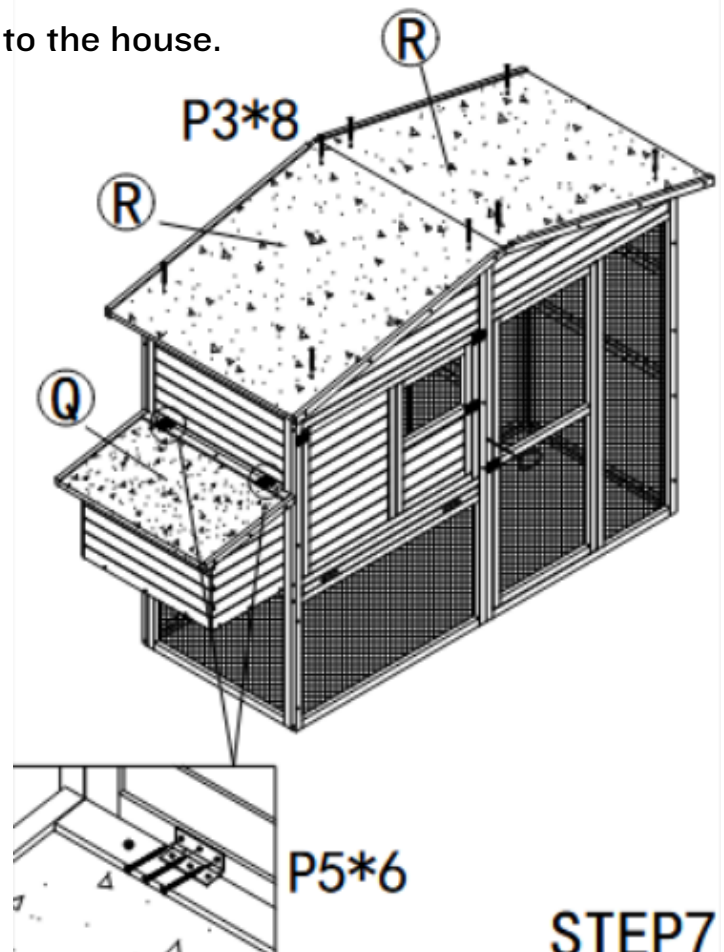
P3 x 8, P5 x 6

Attach The Roof Panels:

Align parts R x 2 over the house section. Locate the pre-drilled holes in the roof panels and use screws P3 x 8 to attach.

Attach The Nest Box Lid: Align part Q over the nest box, ensuring the latches line up and the lid is flush against the house.

Use screws P5 x 6 to attach the hinges of Q to the house.



How to Assemble the Majestic Step FINISH

PARTS

Parts required for step Finish

S, T x 2

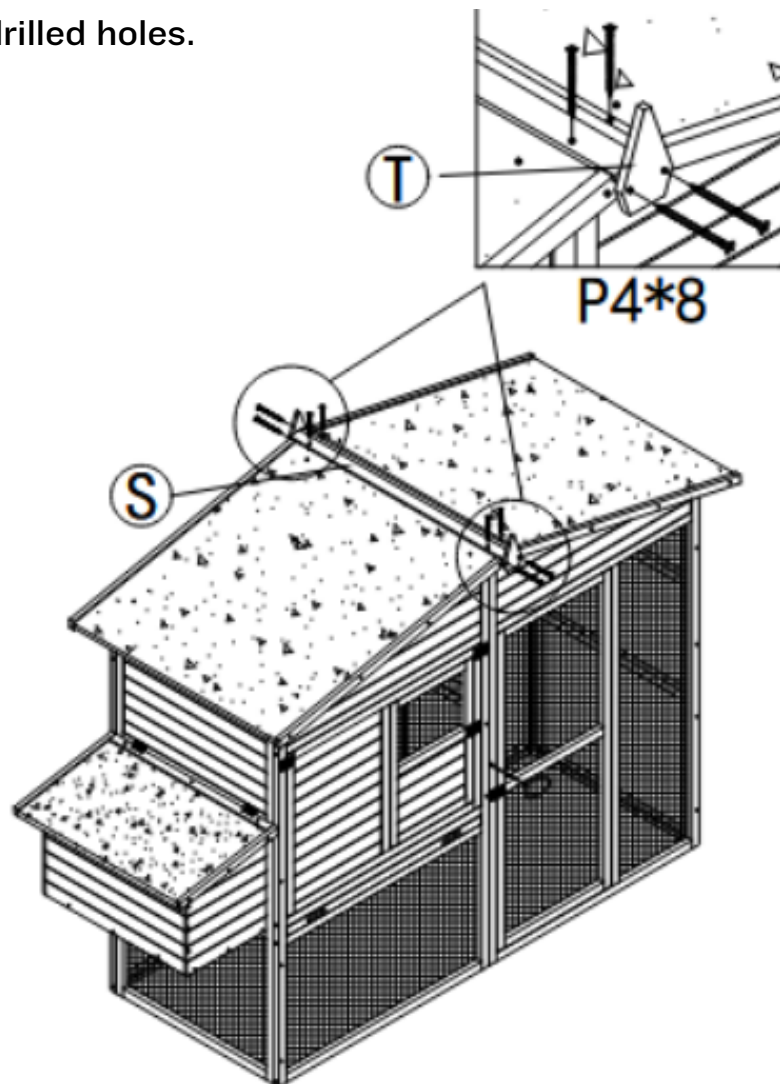
Screws

P4 x 8

Attach The Roof Cap: Place part S over the roof join.

Use P4 x 4 to attach using the pre-drilled holes.

Next, attach T x 2 over the front and back roof cap ends as shown. Use screws P4 x 4 to attach through the pre-drilled holes.



FINISH



FAQ

Frequently asked questions

Contact Information

Phone: 02 4340 4200

Email: info@somerzby.com.au

Customer Service Office Hours

Monday – Thursday: 9:00am – 4:30pm

Friday: 9:00am – 4:00pm

Saturday & Sunday: Closed

Public holidays: Closed

www.somerzby.com.au

#somerzby

