

# **MANSION ENCLOSURE ASSEMBLY GUIDE**



## Welcome!

Congratulations on becoming an owner of a premium Somerzby product! We hope it brings you and your pet/s many years of enjoyment and contentment.

When your flat pack arrives, please check all items for any damage that might have occurred in transit.



02 4340 4200

[info@somerby.com.au](mailto:info@somerby.com.au)

## What you will need








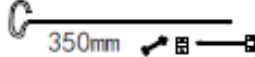
You'll need a battery-powered screwdriver or drill with a Phillips head bit, as well as a flat, level surface to ensure proper alignment of all doors during assembly.

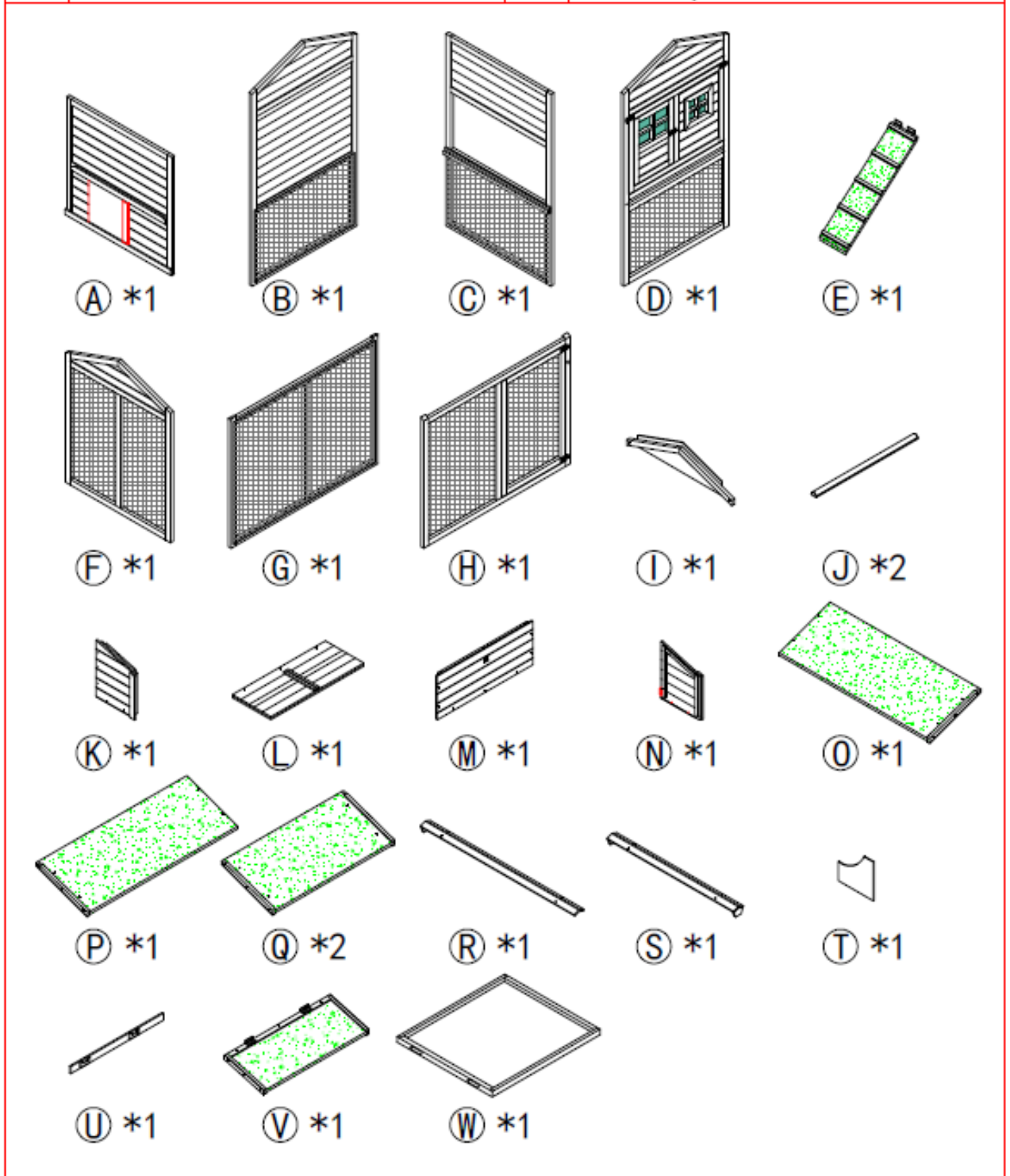
## Important Things To Note



- The instructions and screws can be found in carton #1.
- A strong smell may be present when opening. This is the natural timber scent and is not harmful to humans or animals. It will fade over time, especially when placed outdoors.
- When joining two panels, the 1st panel has a guide hole to show where the screw goes. The 2nd panel does not have a predrilled hole. The screw goes directly into the solid timber and forms a tighter join.
- You may notice a shiny or powdery residue on the panels; this is crystallised sap from the natural wood-drying process. It's completely safe for pets and people and can be wiped off or left as is.

## Check list

P1	 3.5×60mm	4pcs+1spare	P2	 3.5×45mm	14pcs+1spare
P3	 3.5×35mm	21pcs+1spare	P4	 3.5×25mm	25pcs+1spare
P5	 3×14mm	14pcs+1spare	P6	 350mm	1pc



## How to Assemble the Mansion Enclosure Step 1

### PARTS

#### Parts required for step 1:

A, B, C, D

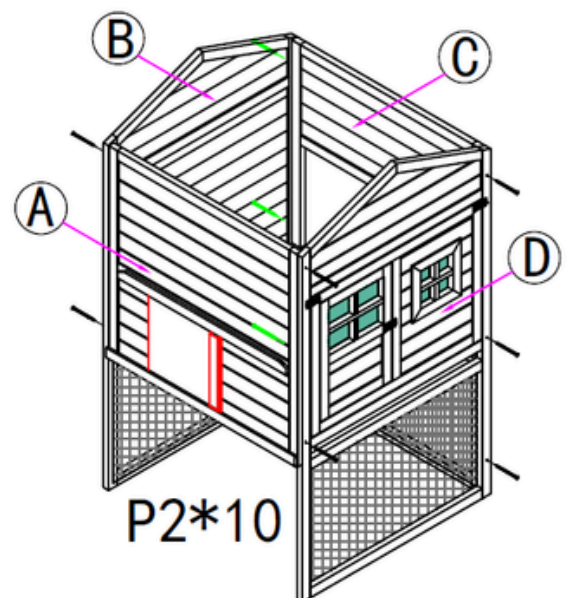
**Screws:** P2 x 10

#### Assembling The Housing Area:

**Attach panel B to C:** Locate the pre-drilled holes on panel B. Use screws P2 x 3 to attach B to C. Ensure the stapled side of the wire is on the inside.

**Attach panel C to D:** Locate the pre-drilled holes on panel D. Use screws P2 x 3 to to attach D to C.

**Attach panel A to B and D:** Use the guide dowels on panel A, to slot into B and D. Using the pre-drilled holes on B and D, attach to panel A using screws P2 x 4.



**STEP1**

## How to Assemble the Mansion Enclosure Step 2

### PARTS

#### Parts required for step 2:

E, P6

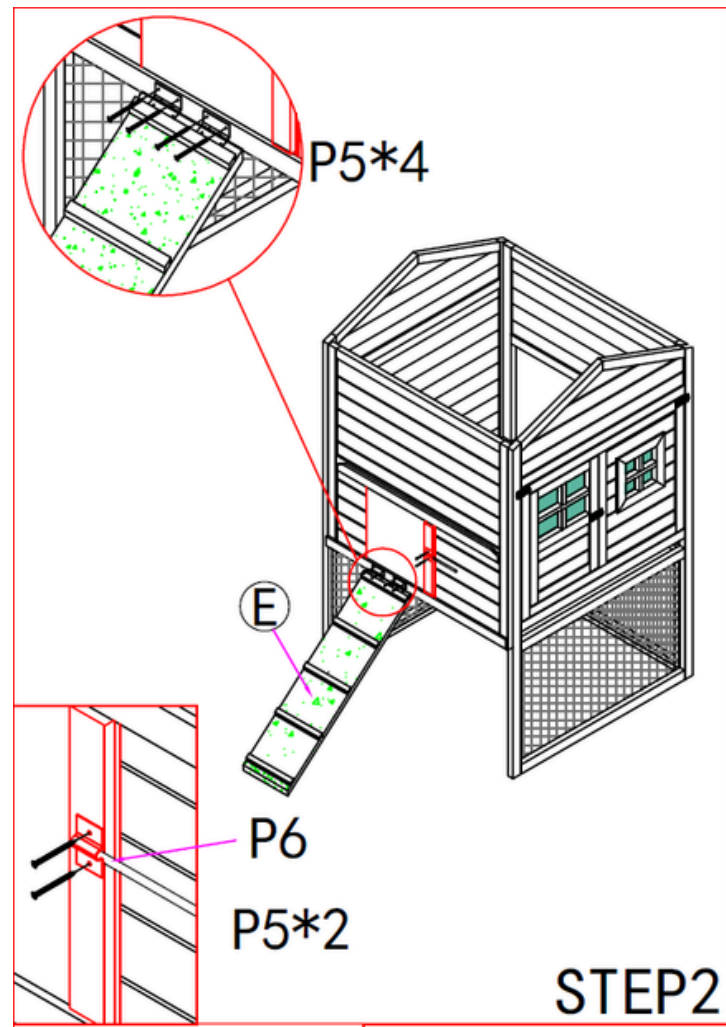
**Screws:** P5 x 6

#### Attach The Ramp To The House:

Use screws P5 x 4 to attach the hinges of the ramp below the small entry door to the house.

#### Attach The Handle Component

**To The Door:** Use screws P5 x 2 to attach the small metal rod halfway up the front edge of the sliding door.



## How to Assemble the Mansion Enclosure Step 3

**PARTS**

### Parts required for step 3:

F, G, H, P6

**Screws:** P1 x 4, P2 x 4, P5 x 2

#### Assembling The Run Section:

**Attach panel G to F:** Locate the pre-drilled holes on panel G. Align with the side of panel F ensuring the wire side with staples is facing in. Use screws P2 x 2 to attach.

**Attach panel H to F:** Locate the pre-drilled holes on panel H. Align with the side of panel F ensuring the wire side with staples is facing in. Use screws P2 x 2 to attach.

#### Attach The Run To The House:

Locate the pre-drilled holes on the inside edge of panels G and H. (The pre-drilled holes on H are inside the door opening.)

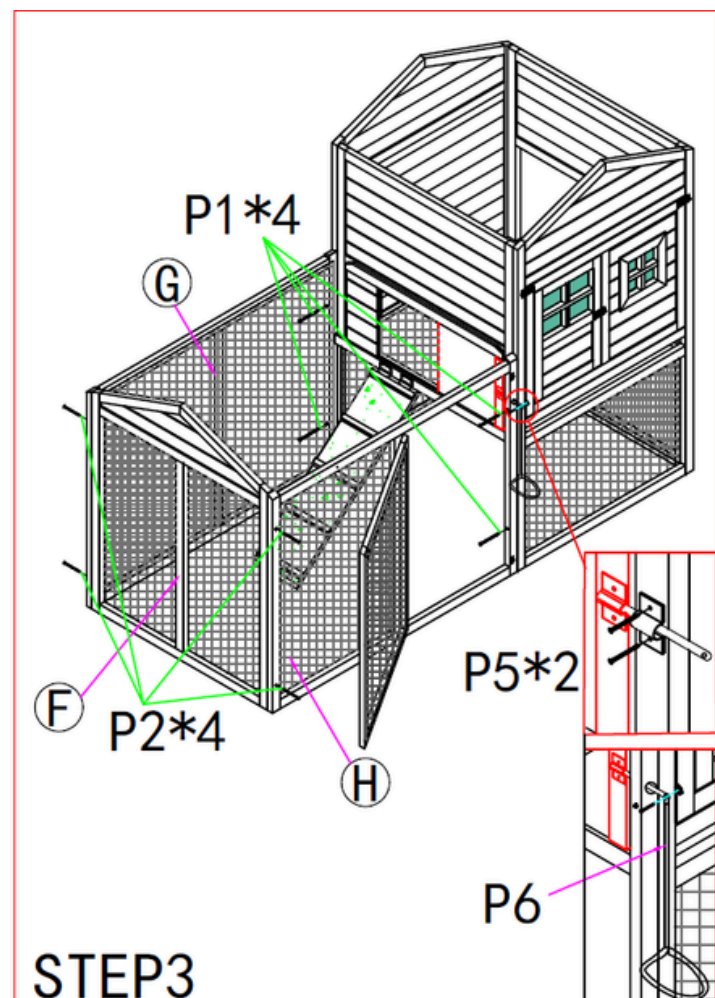
Align the run to the house section. Using screws P1 x 4, attach the run to the house.

#### Finish The Sliding Handle:

Use screws P5 x 2 to attach the rod guide bracket to the house, in line with the rod.

Slide the small rod through the guide bracket and into the round hole on the run panel.

Join the two handle pieces together from the outside using the P6 nut and bolt- a shifting spanner may be required.



## How to Assemble the Mansion Enclosure Step 4

### PARTS

#### Parts required for step 4:

K, L, M, N

**Screws:** P3 x 3, P4 x 17

**Assemble The Nesting Box:** Place part L on a flat surface, align panels K, M and N to form the sides.

Ensure the pre-drilled holes on base panel L are located at the open edge and the divider slots of L and M are facing in.

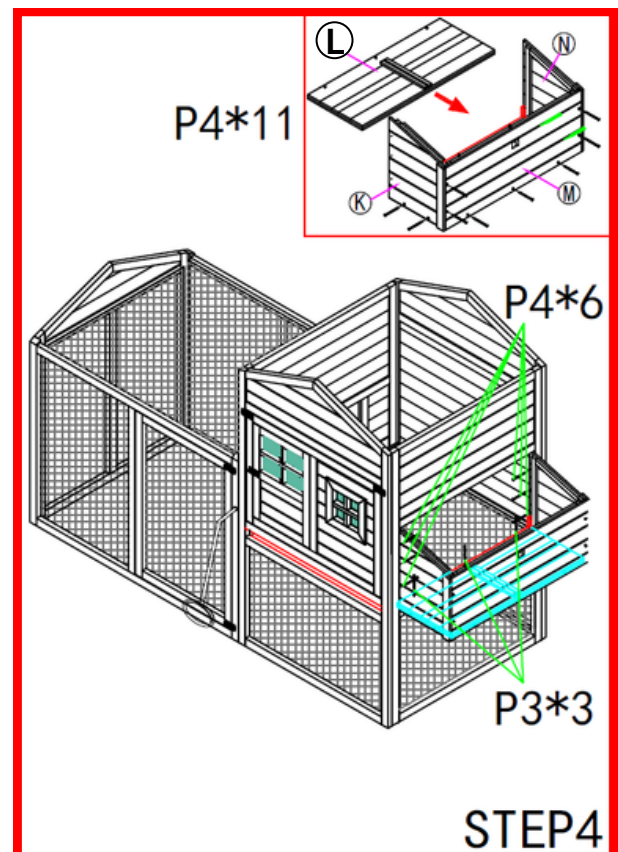
Using the pre-drilled holes, screw panels K, L, M and N using screws P4 x 11 to form the nest box.

#### Attach The Nest Box To The

**House:** Align the nest box into the opening of the side of the house, ensuring it is flush with the edges.

Using the pre-drilled holes on the nest box, use screws P3 x 3 to attach the base of the box to the house.

Use screws P4 x 6 to attach the sides of the nest box to house.



**STEP4**

## How to Assemble the Mansion Enclosure Step 5

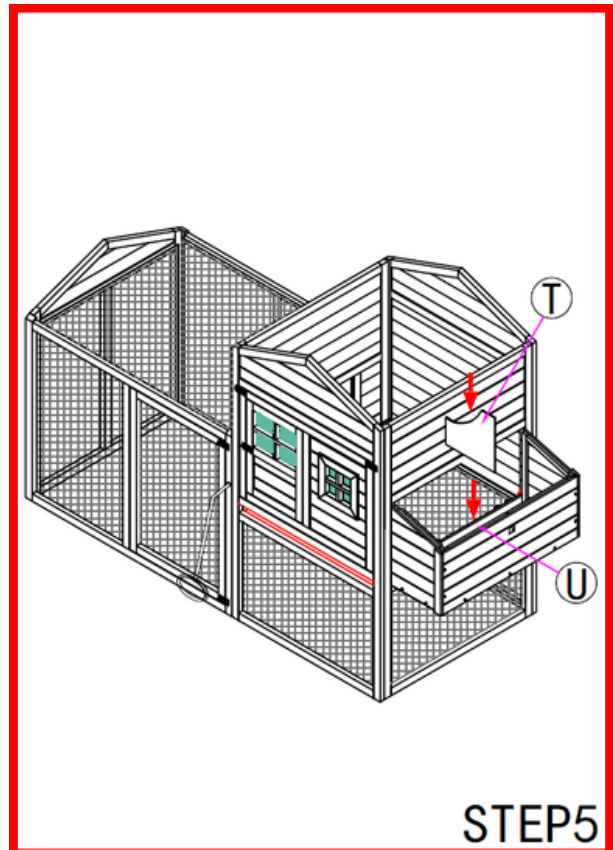
**PARTS**

**Parts required for step 5:**

T, U

**Add The Nest Box Components:** Place part U along the inside edge of the nest box, with the roosting pole holders facing towards the house.

Slide part T into the nest box guides as shown. **\*\*This can be left out to create a larger resting area\*\***



## How to Assemble the Mansion Enclosure Step 6

**PARTS**

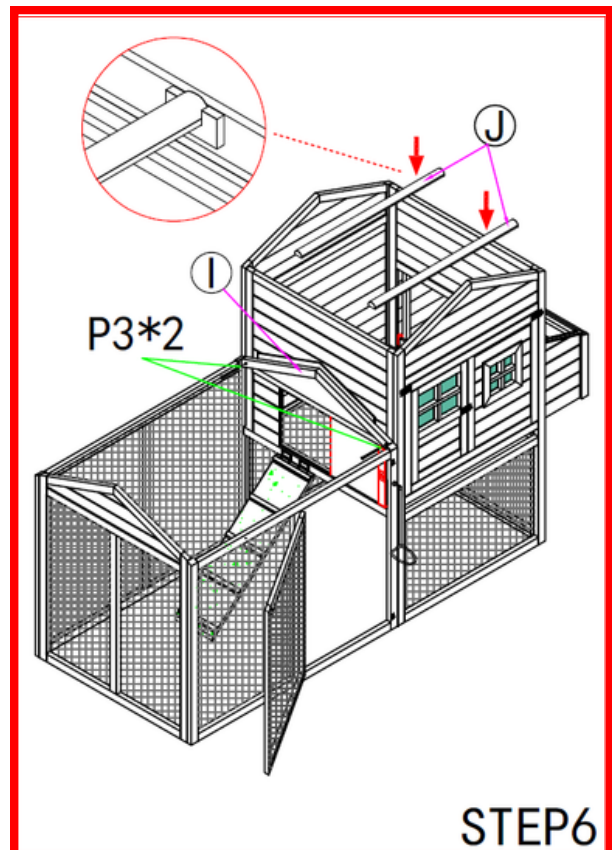
**Parts required for step 6:**

I,

**Screws: P3 x 2**

**Attach The Roof Support:** Using screws P3 x 2, attach roof support part I against the house wall above the door.

**Position Roosting Poles:** Place 2 x J into 'U' shaped holders inside the house.



## How to Assemble the Mansion Enclosure Step 7

### PARTS

#### Parts required for step 7:

O, P, Q, V, W

**Screws:** P3 x 16, P5 x 6

**Attach The Roof On The Run:** Align parts O and P over the run section, ensuring the capped wooden edge is furthest from the house.

Locate the pre-drilled holes in the roof panels and use screws P3 x 8 to attach.

**Attach The Roof Over The House:** Align parts Q x 2 over the house section.

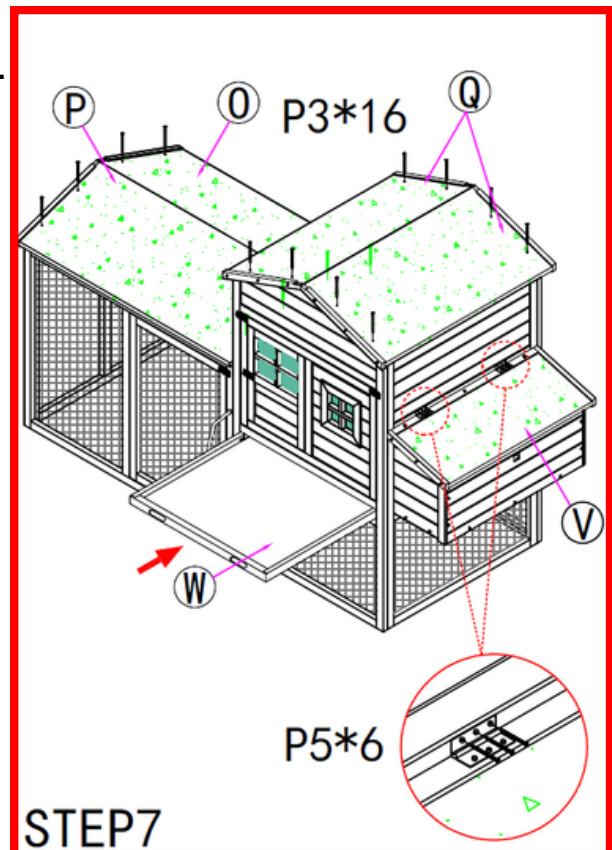
Locate the pre-drilled holes in the roof panels and use screws P3 x 8 to attach.

**Insert The Pull Out Tray:** Slide part W into the open slot of the house.

Ensure the handle side is positioned at the front.

**Attach The Nest Box Lid:** Align part V over the nest box, ensuring the latches line up and the lid is against the house.

Use screws P5 x 6 to attach the hinges of V to the house.



## How to Assemble the Mansion Enclosure Step : FINISH

### PARTS

#### Parts required for Finish:

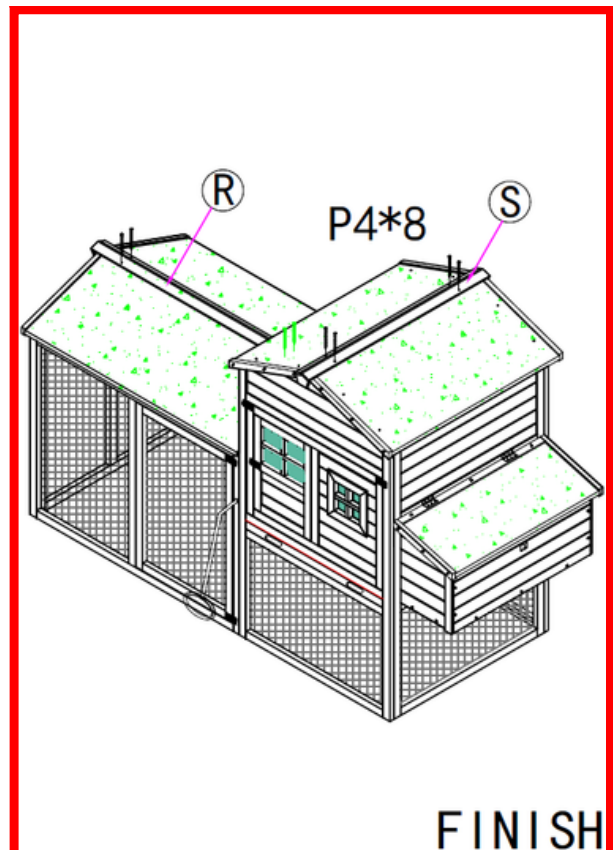
R, S

**Screws:** P4 x 8

**Attach The Roof Caps:** Place part R over the roof joins of O and P, ensuring the capped end is furthest from the house and the uncapped end sits against the house.

Place part S over the join where parts Q meet, ensuring it sits neatly along the seam.

Use P4 x 8 to attach to parts R and S to the roof panels using the pre-drilled holes.



## Product Dimensions

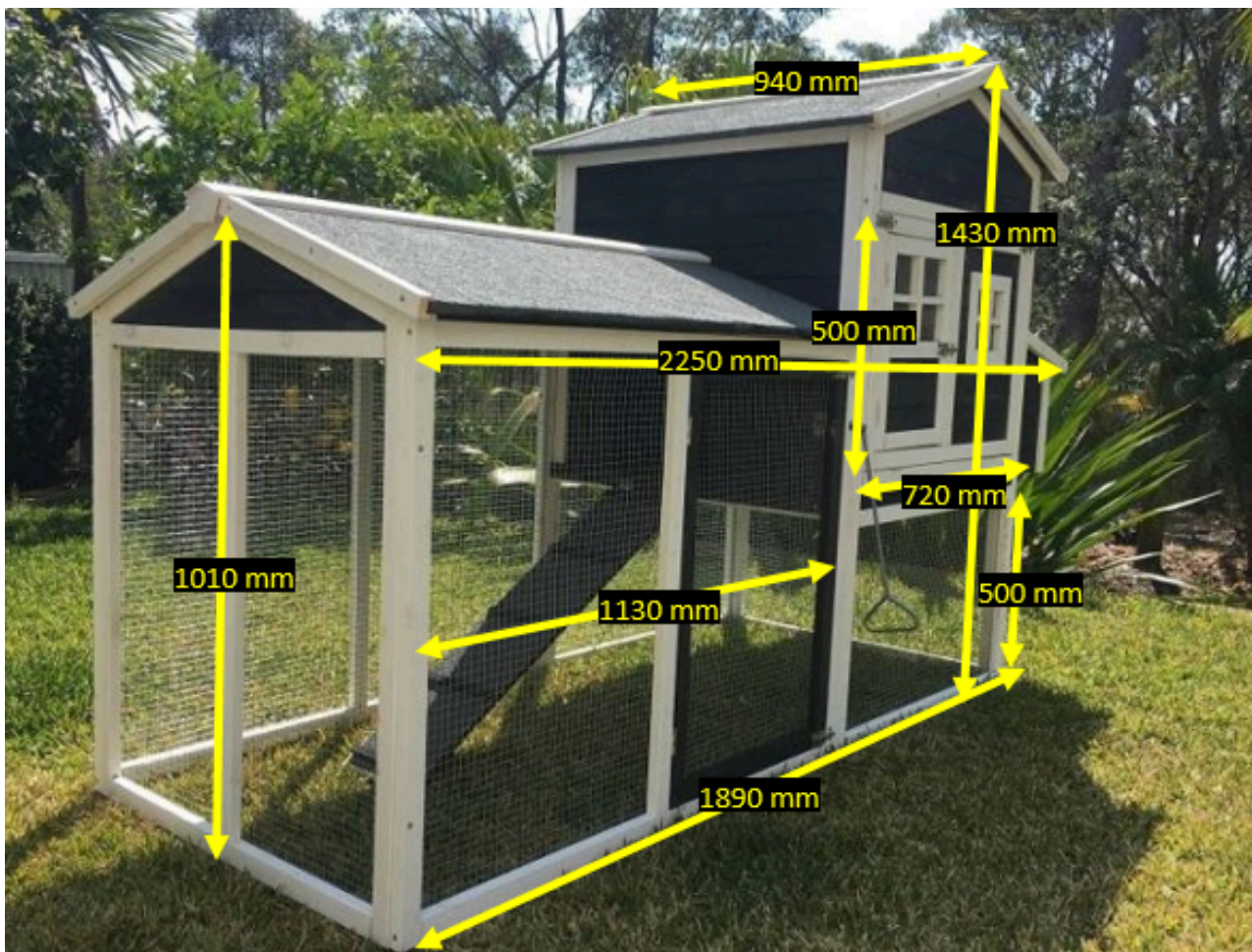


External dimensions: L2250mm x H1430mm x W940mm

Ground dimensions (footprint): L1890mm x W830mm

Nesting box: W800mm x H380mm x D330mm approx.

Door opening at top of ramp: W270mm x H270mm approx.





## FAQ

Frequently asked questions

### Contact Information

Phone: 02 4340 4200

Email: [info@somerzby.com.au](mailto:info@somerzby.com.au)

### Customer Service Office Hours

Monday – Thursday: 9:00am – 4:30pm

Friday: 9:00am – 4:00pm

Saturday & Sunday: Closed

Public holidays: Closed

[www.somerzby.com.au](http://www.somerzby.com.au)

**#somerzby**

