

MANSION RUN

ASSEMBLY GUIDE



Welcome!

Congratulations on becoming an owner of a premium Somerzby product! We hope it brings you and your pet/s many years of enjoyment and contentment.

When your flat pack arrives, please check all items for any damage that might have occurred in transit.



02 4340 4200

info@somerby.com.au

What you will need






You'll need a battery-powered screwdriver or drill with a Phillips head bit, as well as a flat, level surface to ensure proper alignment of all doors during assembly.

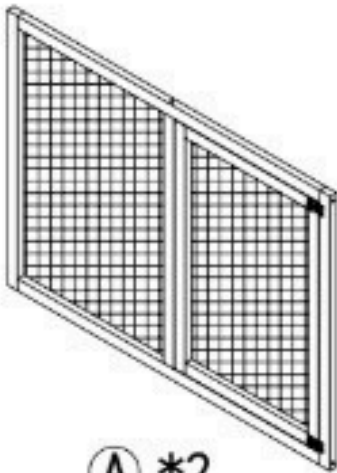
Important Things To Note



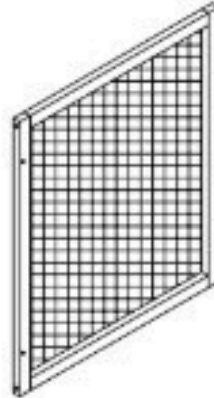
1. The instructions and screws can be found in carton #1.
2. A strong smell may be present when opening. This is the natural timber scent and is not harmful to humans or animals. It will fade over time, especially when placed outdoors.
3. When joining two panels, the 1st panel has a guide hole to show where the screw goes. The 2nd panel does not have a predrilled hole. The screw goes directly into the solid timber and forms a tighter join.
4. You may notice a shiny or powdery residue on the panels; this is crystallised sap from the natural wood-drying process. It's completely safe for pets and people and can be wiped off or left as is.

Check list

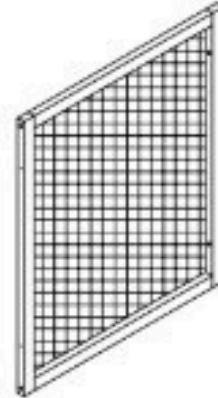
P1	 3.5×60mm	12pcs+1spare	P2	 3.5×45mm	24pcs+1spare
P3	 3.5×50mm	4pcs+1spare			



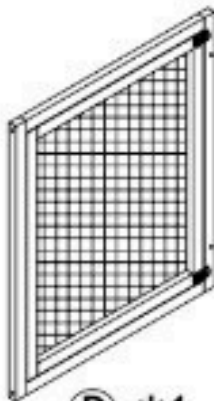
Ⓐ *2



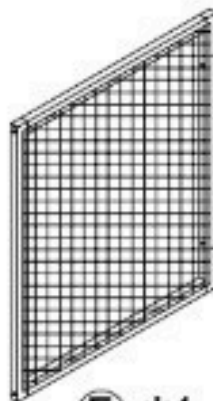
Ⓑ *2



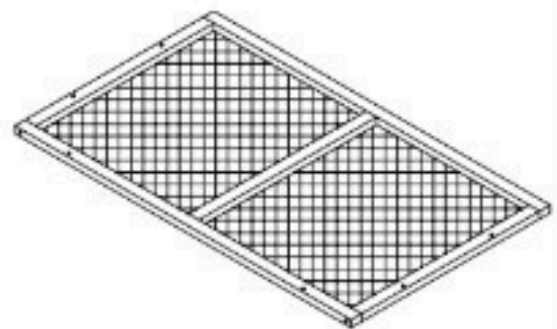
Ⓒ *2



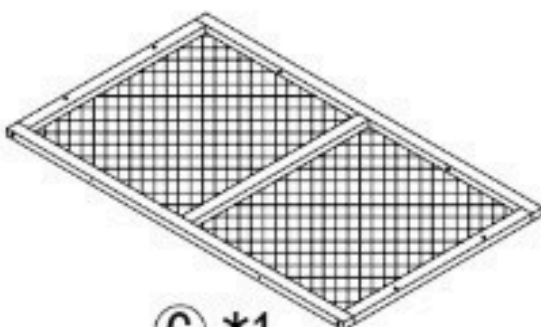
Ⓓ *1



Ⓔ *1



Ⓕ *2



Ⓖ *1

How to Assemble the Mansion Run Step 1

PARTS

Parts required for step 1

B x 2, C x 2, D, E

Screws required for step 1

P1 x 8

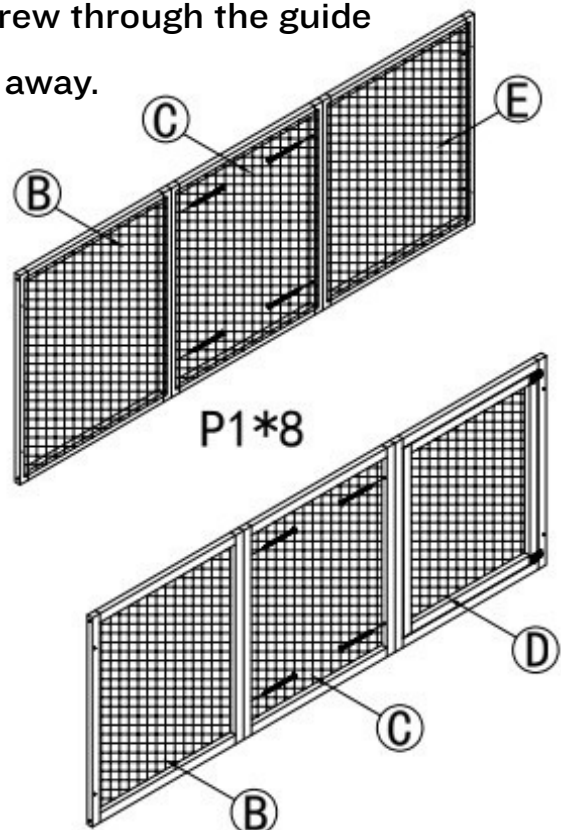
Assemble The First Side:

Attach Panel B to C: Locate the pre-drilled holes on the inside edge of panel C. Align panel B to C then screw P1 x 2 through the guide holes to secure, ensuring all stapled wire sides are facing the same way.

Attach Panel C to E: Locate the pre-drilled holes on the other inside edge of panel C, then align E with C. Use P1 x 2 to screw through the guide holes ensuring all stapled wire sides are facing away.

Repeat these steps with panels B, C and D.

Ensure the latches of door panel D are at the outer edge.



How to Assemble the Mansion Run Step 2

PARTS

Parts required for step 2

A x 2

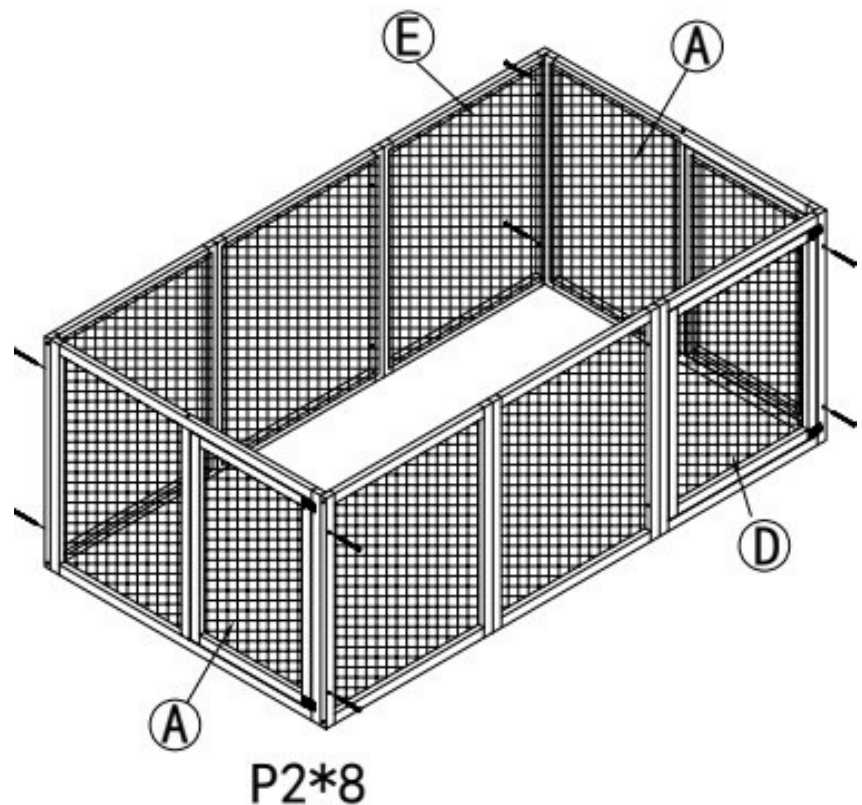
Screws required for step 2

P2 x 8

Attach The Ends: Align panel A between the assembled sides, taking note of the door locations and ensuring the wire stapled side faces in.

Locate the pre-drilled holes in the side panels, then use P2 x 4 to attach.

Repeat on the opposite end with the second end panel A.



How to Assemble the Mansion Run Step 3

PARTS

Parts required for step 3

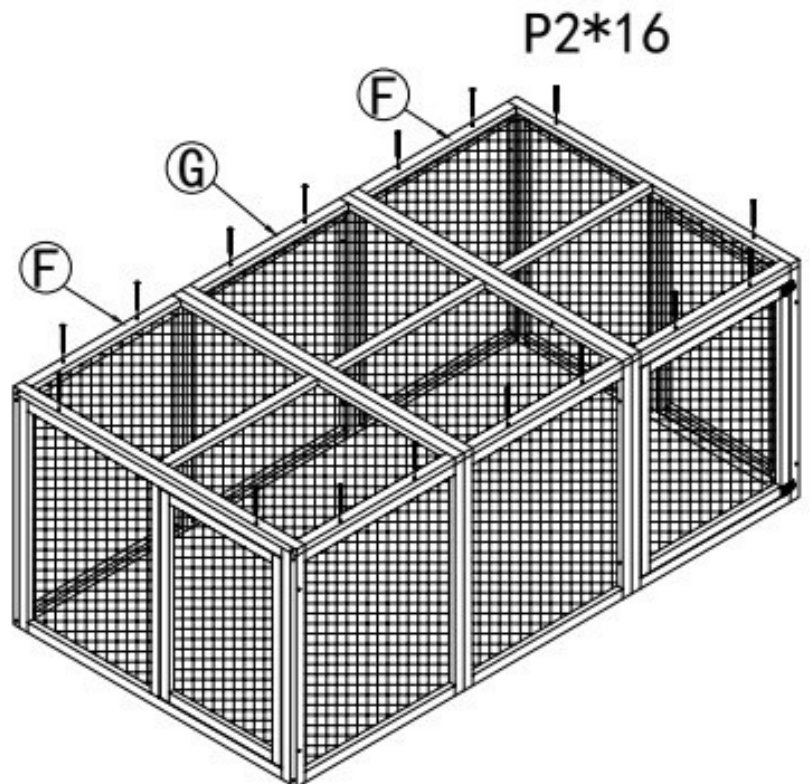
F x 2, G

Screws required for step 3

P2 x 16

Attach The Roof: Evenly align panels F x 2 and G on top of the assembled sides as shown. Ensure the stapled wire side faces down.

Locate the pre-drilled holes, then use screws P2 x 16 to attach.



How to Assemble the Mansion Run Step 4

PARTS

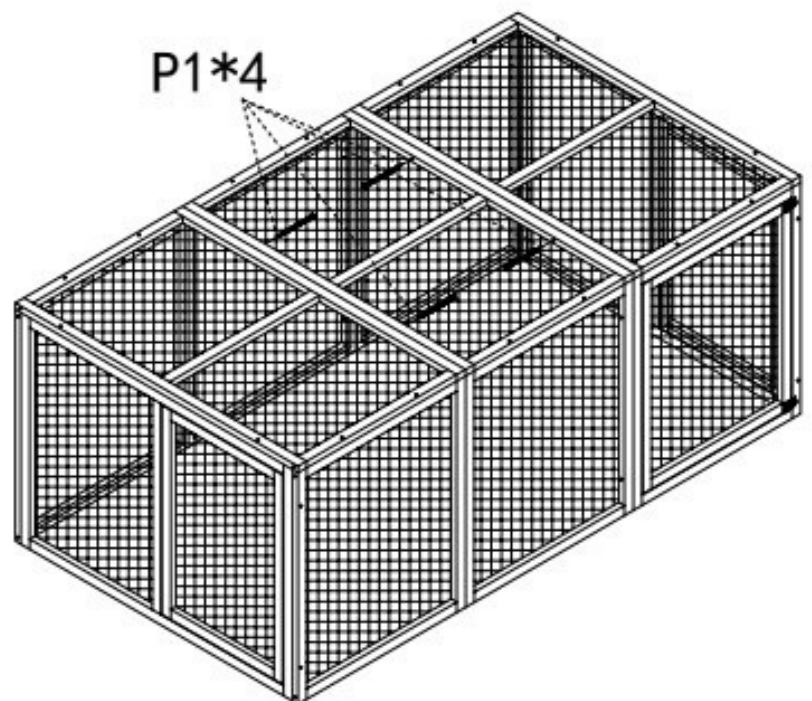
Screws required for step 4

P1 x 4

Attach The Final Screws:

Locate the pre-drilled holes on the inner edge of the middle roof panel G.

Use screws P1 x 4 to attach to the roof panels on both sides.



Product Dimensions





FAQ

Frequently asked questions

Contact Information

Phone: 02 4340 4200

Email: info@somerzby.com.au

Customer Service Office Hours

Monday – Thursday: 9:00am – 4:30pm

Friday: 9:00am – 4:00pm

Saturday & Sunday: Closed

Public holidays: Closed

www.somerzby.com.au

#somerzby

