

# STACEY CAT ENCLOSURE ASSEMBLY GUIDE



## Welcome!

Congratulations on becoming an owner of a premium Somerzby product! We hope it brings you and your pet/s many years of enjoyment and contentment.

When your flat pack arrives, please check all items for any damage that might have occurred in transit.



02 4340 4200

[info@somerby.com.au](mailto:info@somerby.com.au)

## What you will need










You'll need a battery-powered screwdriver or drill with a Phillips head bit, as well as a flat, level surface to ensure proper alignment of all doors during assembly.

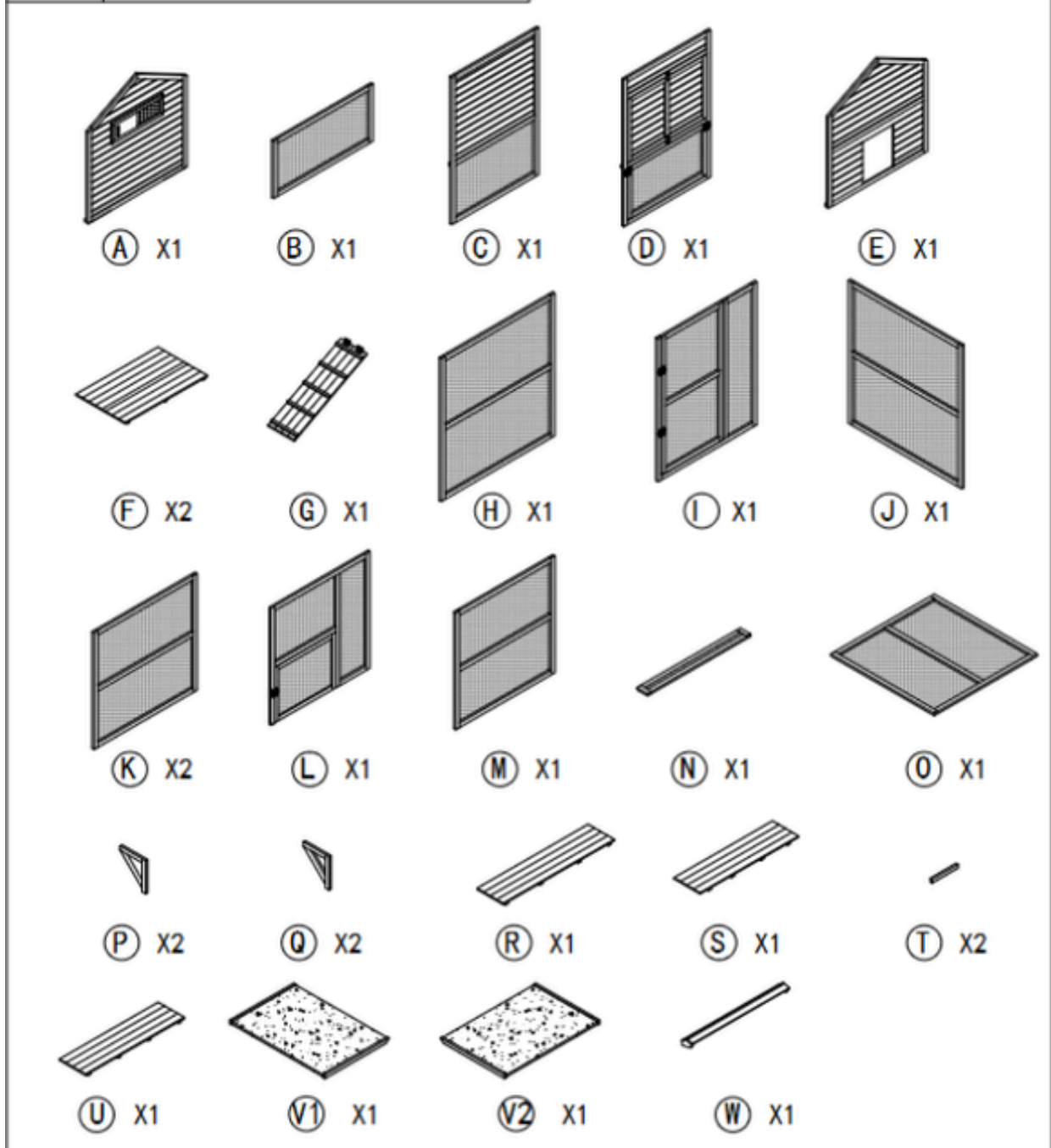
## Important Things To Note



1. The instructions and screws can be found in carton #1.
2. A strong smell may be present when opening. This is the natural timber scent and is not harmful to humans or animals. It will fade over time, especially when placed outdoors.
3. When joining two panels, the 1st panel has a guide hole to show where the screw goes. The 2nd panel does not have a predrilled hole. The screw goes directly into the solid timber and forms a tighter join.
4. You may notice a shiny or powdery residue on the panels; this is crystallised sap from the natural wood-drying process. It's completely safe for pets and people and can be wiped off or left as is.

## Check list

P1	 2pcs 6×35mm	P2	 13pcs+1 spare 3.5×60mm
P3	 40pcs+1 spare 3.5×40mm	P4	 30pcs+1 spare 3.5×35mm
P5	 16pcs+1 spare 3.5×25mm	P6	 4pcs+1 spare 3×16mm
P7	 1pc		



## How to Assemble the Stacey Step I

### PARTS

#### Parts required for step 1

A, B, C, D, E

#### Screws required for step 1

P3 x 12

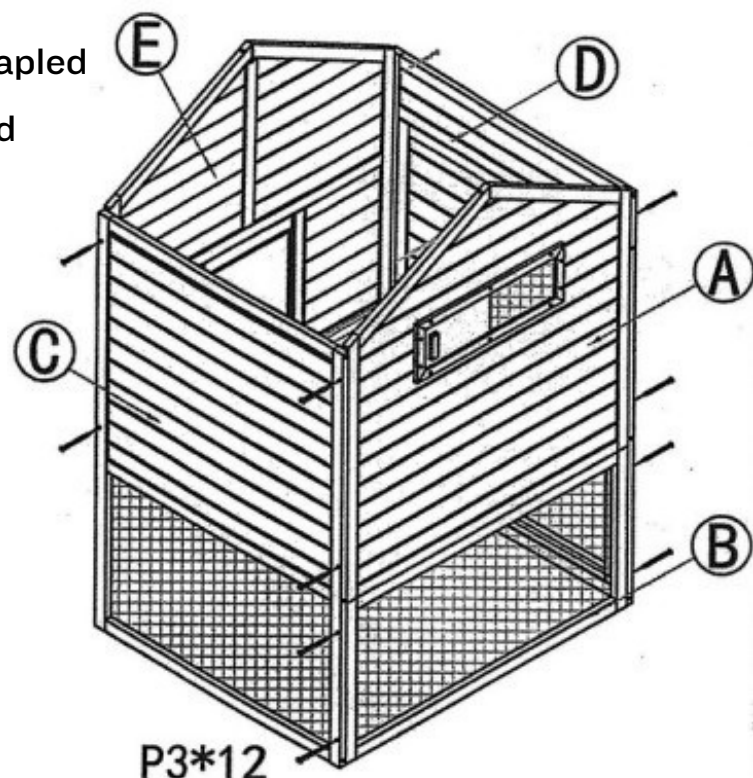
#### Assemble The Sides:

Align part B, with part C, ensuring the stapled wire sides face in. Locate the pre-drilled holes on panel C and use screws P2 x 2 to attach.

Next, place panel A on top of B, ensuring the sliding window faces out. Locate the pre-drilled holes along C and use screws P3 x 2 to attach.

Place panel D next to A & B, ensuring the stapled wire side faces in. Then locate the pre-drilled holes along the edge of panel D and use screws P3 x 4 to attach.

Next, use the guide dowels to align panel E between C and D. Locate the pre-drilled holes along the edges of C and D and use screws P3 x 4 to attach.



## How to Assemble the Stacey Step 2

### PARTS

**Parts required for step 2**

F x 2, G, P7

**Parts required for step 2**

P1 x 2, P6 x 4

#### Insert The Flooring:

Place F x 2 into the house section so they rest securely on the side ledges.

#### Attach The Ramp:

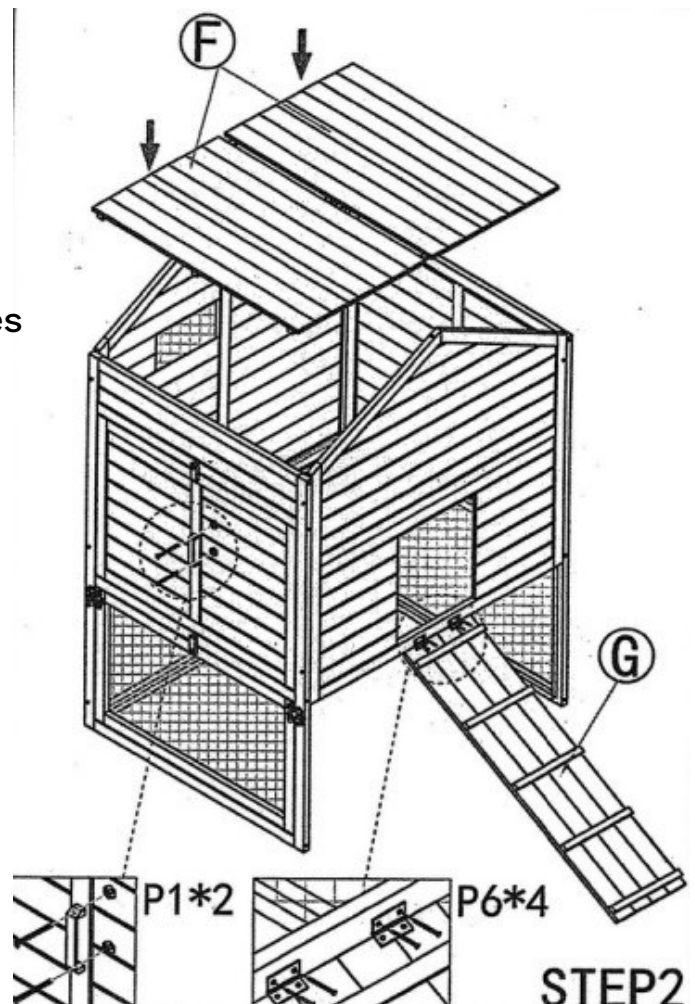
Place the hinges of part G below the door of the house as shown.

Use screws P6 x 4 to attach.

#### Attach The Door Handle:

Align handle part P7 to the pre-drilled holes on the side door.

Use nut and bolt P1 x 2 to secure.



## How to Assemble the Stacey Step 3

### PARTS

**Parts required for step 3**

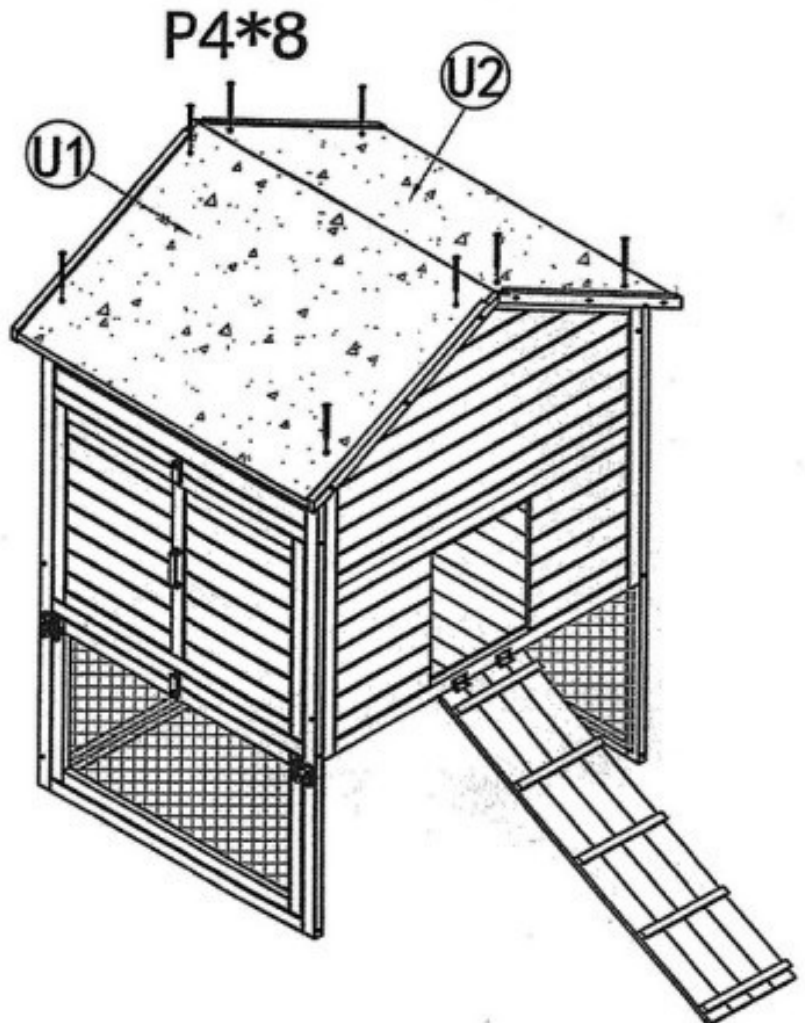
U1, U2

**Screws required for step 3**

P4 x 8

### Attach The Roof:

Evenly align roof panels U1 and U2 over the house section as shown. Locate the pre-drilled holes in the roof panels and use screws P4 x 8 to attach.



## How to Assemble the Stacey Step 4

**PARTS**

Parts required for step 4

V

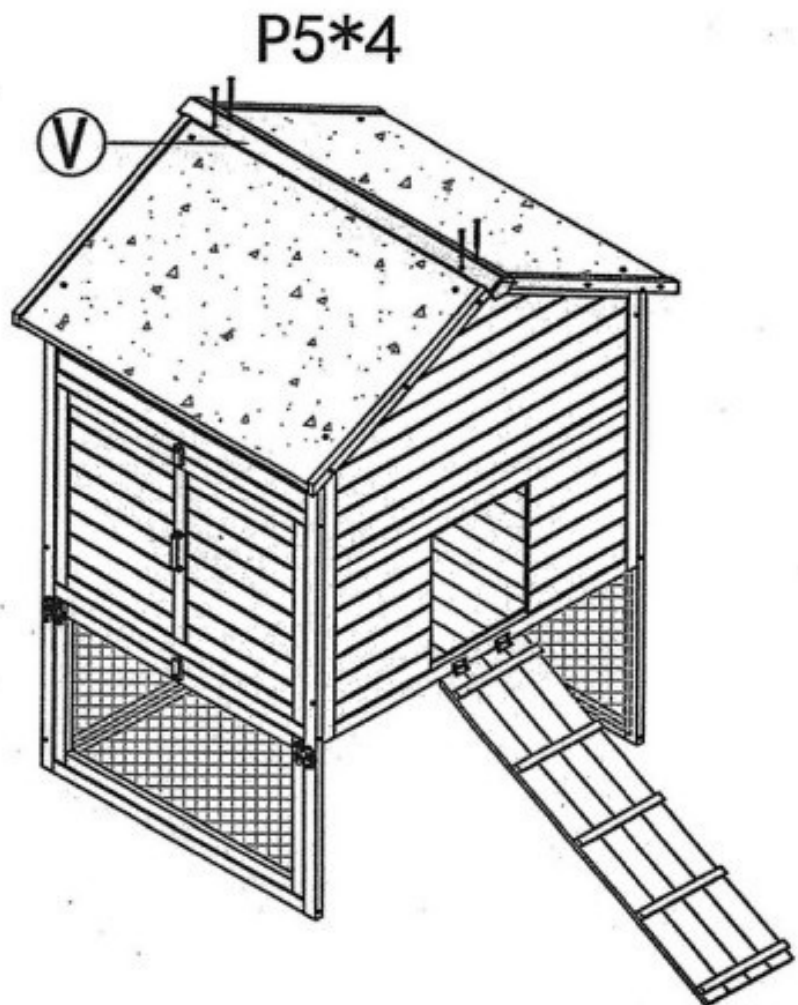
Screws required for step 4

P5 x 4

### Attach The Roof Cap:

Align part V over the roof join of the house as shown.

Use P5 x 4 to attach part V to the roof panels using the pre-drilled holes.



**STEP4**

## How to Assemble the Stacey Step 5

### PARTS

**Parts required for step 5**

L, W x 2, I

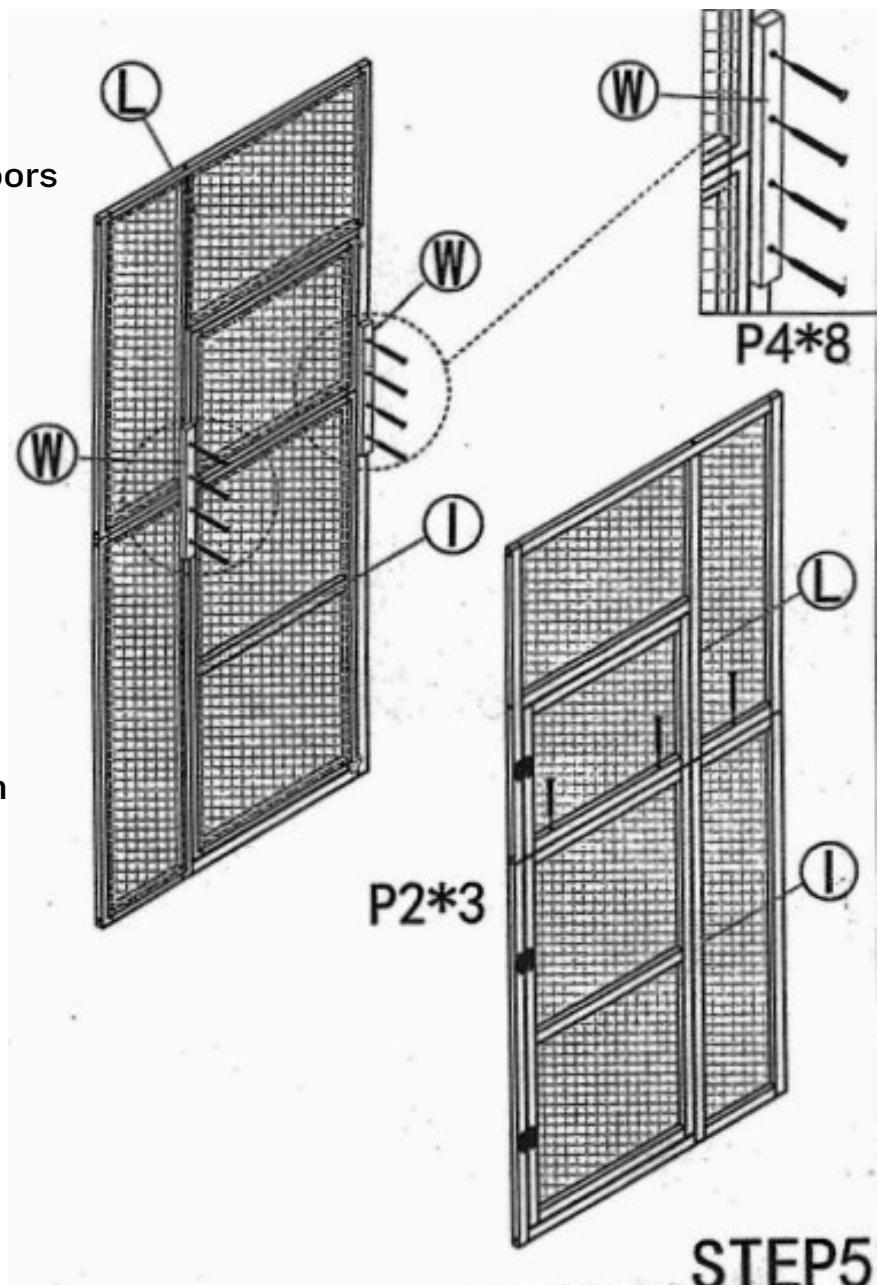
**Screws required for step 5**

O2 x 3, P4 x 8

### Assemble The End Of The Run:

Place part L on top of part I as shown, ensuring the stapled wire side faces the same way and the doors align. Locate the pre-drilled holes along the bottom edge of panel L, then use screws P2 x 3 to secure to panel I.

Next, on the side with the visible wire staples showing, attach 2 x W over the join of the two panels as shown. Use screws P4 x 8 to attach through the pre-drilled holes.



## How to Assemble the Stacey Step 6

### PARTS

Parts required for step 6

K x 2, H, J

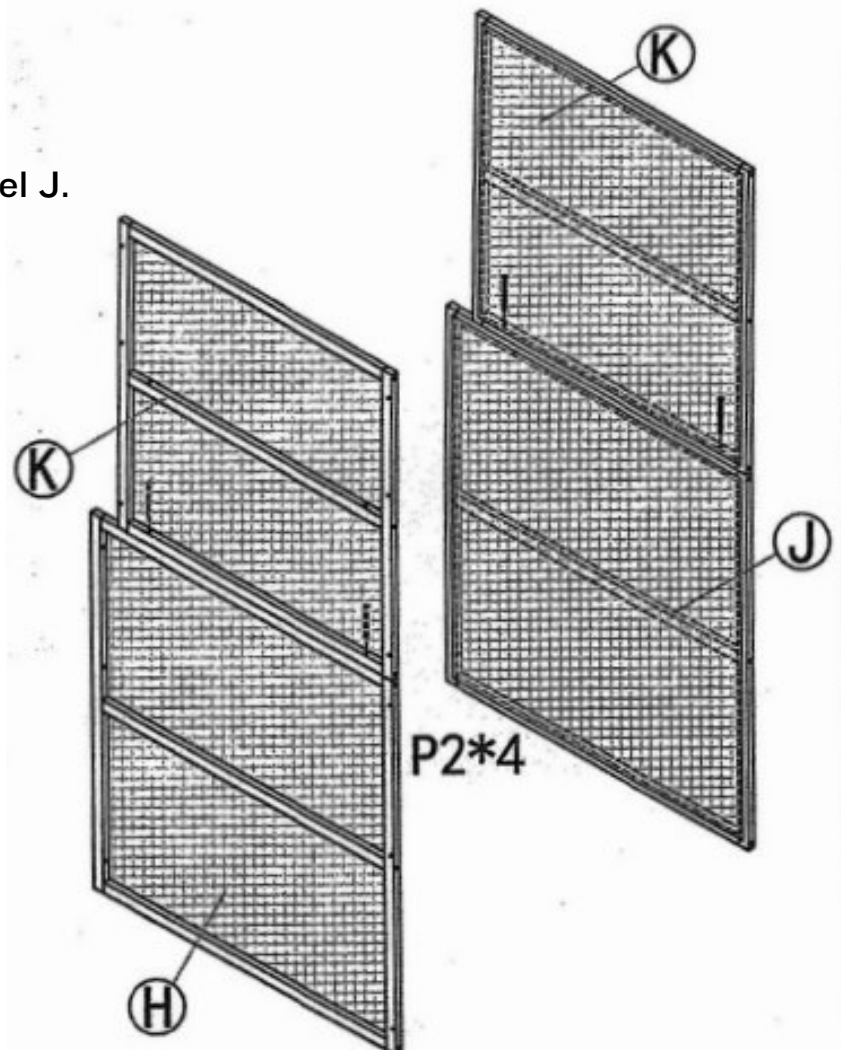
Screws required for step 6

P2 x 4

#### Assemble The Sides:

Place part K on top of part H as shown, ensuring the stapled wire side faces the same way. Locate the pre-drilled holes along the bottom edge of panel K, then use screws P2 x 2 to secure to panel H.

Repeat with the other panel K and panel J.



STEP6

## How to Assemble the Stacey Step 7

### PARTS

Parts required for step 7

M

Screws required for step 7

P3 x 18

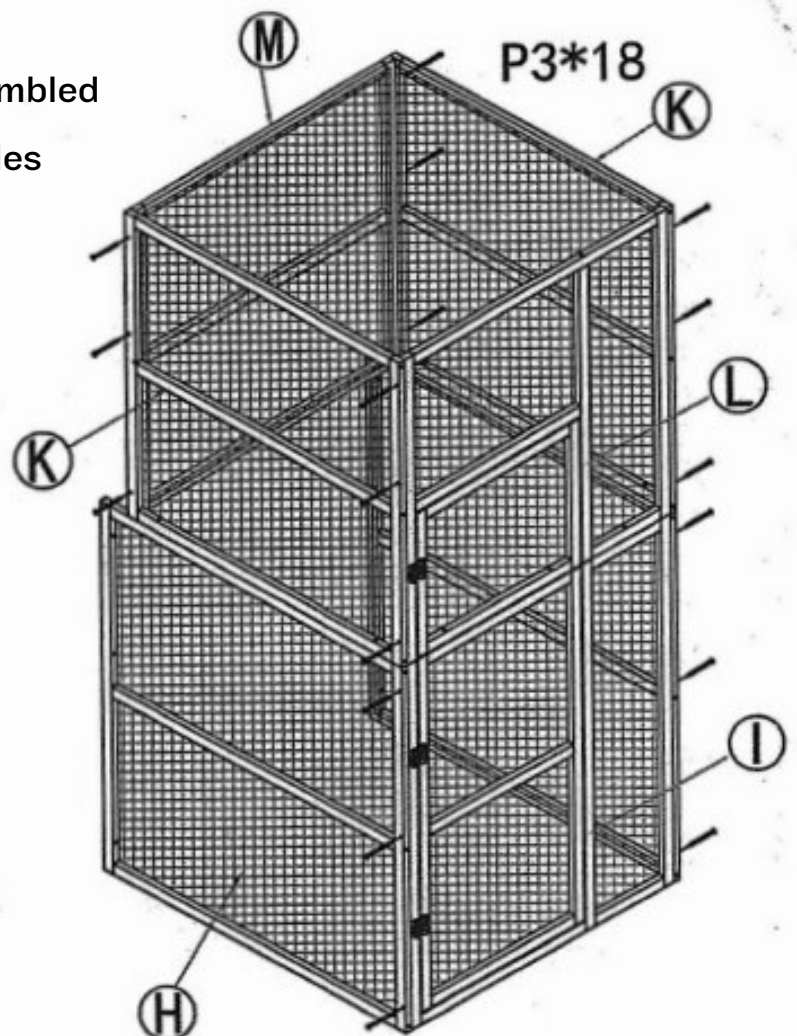
#### Join All The Sides Together:

Align assembled panel L+I with assembled H+K as shown. Locate the pre-drilled holes along the edge of H+K and use screws P3 x 6 to attach.

Next, align assembled K+J next to assembled L+I as shown. Locate the pre-drilled holes along the edge of K+J and use screws P3 x 6 to attach.

Align panel M between the two K panels.

Use screws P3 x 6 to attach through the pre-drilled holes on the edges.



STEP7

## How to Assemble the Stacey Step 8

### PARTS

Parts required for step 8

N, O

Screws required for step 8

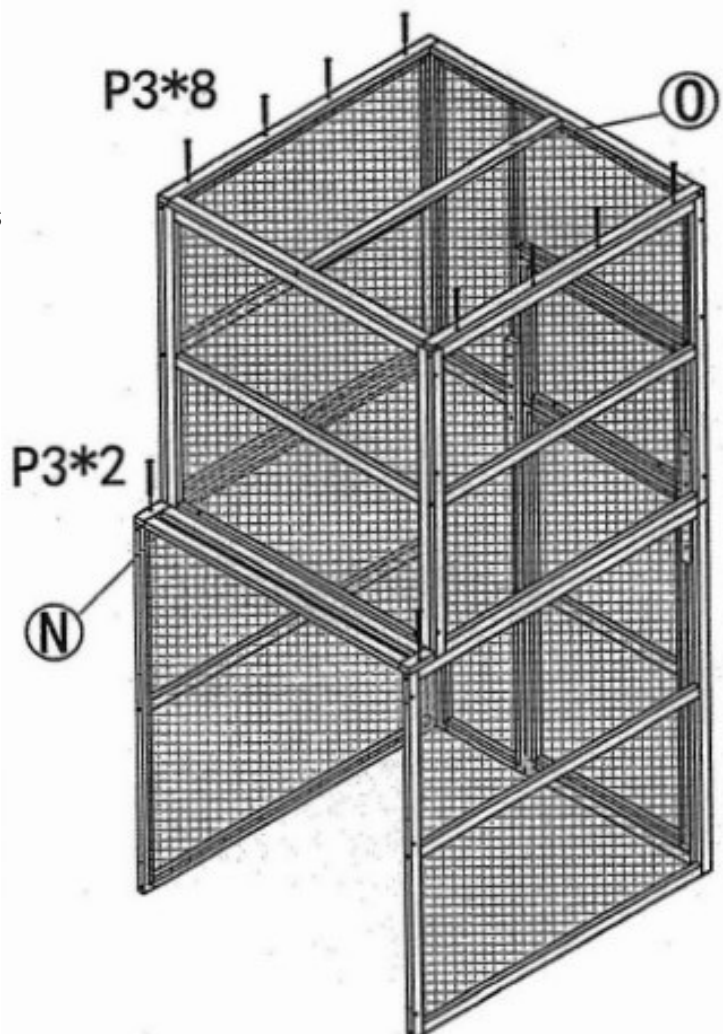
P3 x 10

#### Attach The Roof:

Place panel O on top of the run area as shown. Locate the pre-drilled holes and use screws P3 x 8 to attach.

Next, align panel N over the gap between parts H & J as shown.

Using the pre-drilled holes, use screws P3 x 2 to attach.



## How to Assemble the Stacey Step 9

### PARTS

#### Parts required for step 9

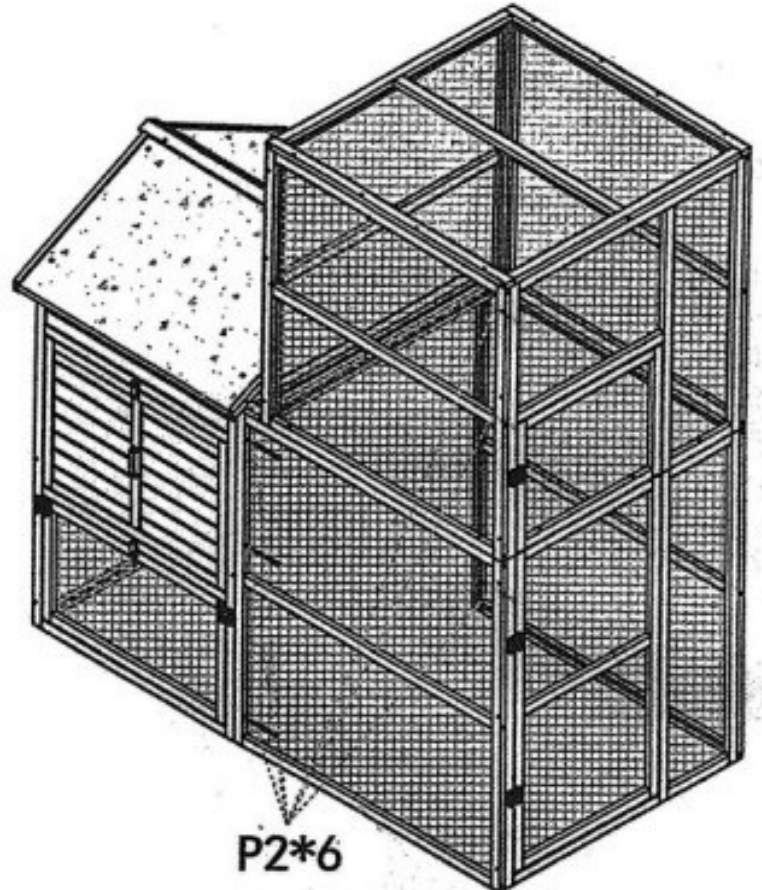
Assembled house section, assembled run section

#### Screws required for step 9

P2 x 6

#### Attach The House To The Run:

Align the assembled house section with the assembled run section. Locate the pre-drilled holes along the inner edges of the run and use screws P2 x 6 to attach the run to the house.



## How to Assemble the Stacey Step 10

### PARTS

#### Parts required for step 10

1x P, 1x Q, R

#### Screws required for step 10

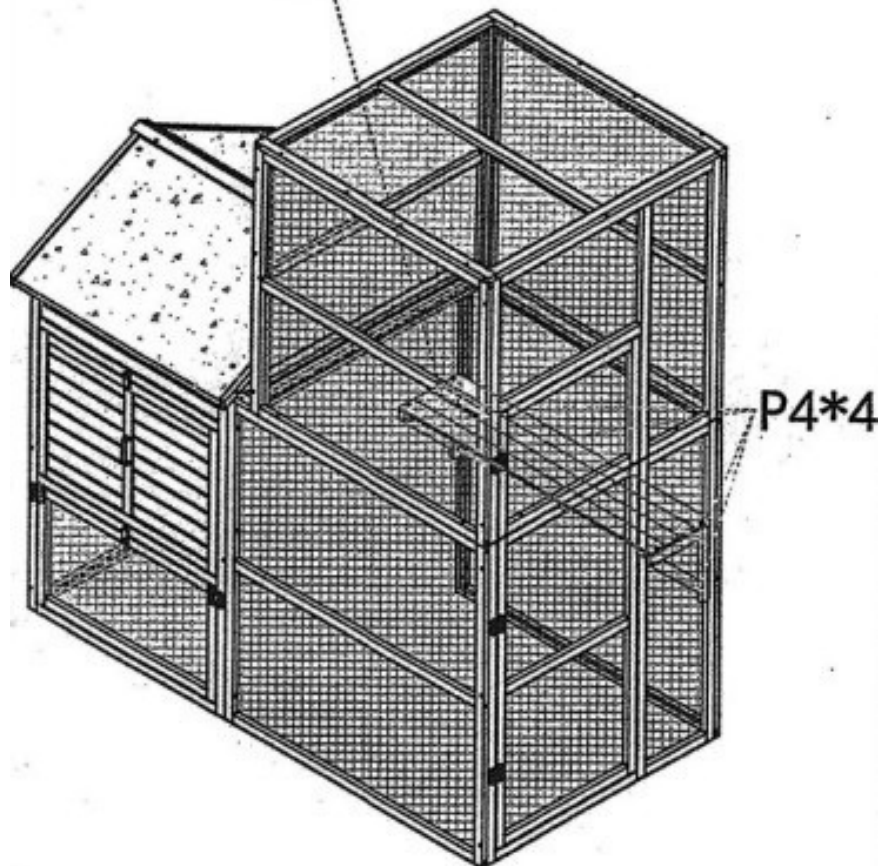
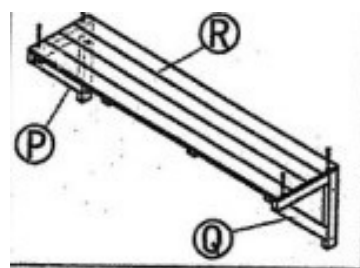
P5 x 4, P4 x 4

### Assemble The Shelf

Place brackets P and Q underneath panel R as shown. Locate the pre-drilled holes on panel R and use screws P5 x 4 to attach the brackets to the shelf.

Next, place the assembled shelf inside the run as shown.

Locate the pre-drilled holes on the brackets and use screws P4 x 4 to attach to the solid timber of the run panel.



## How to Assemble the Stacey Step II

### PARTS

**Parts required for step 11**

P, Q, T

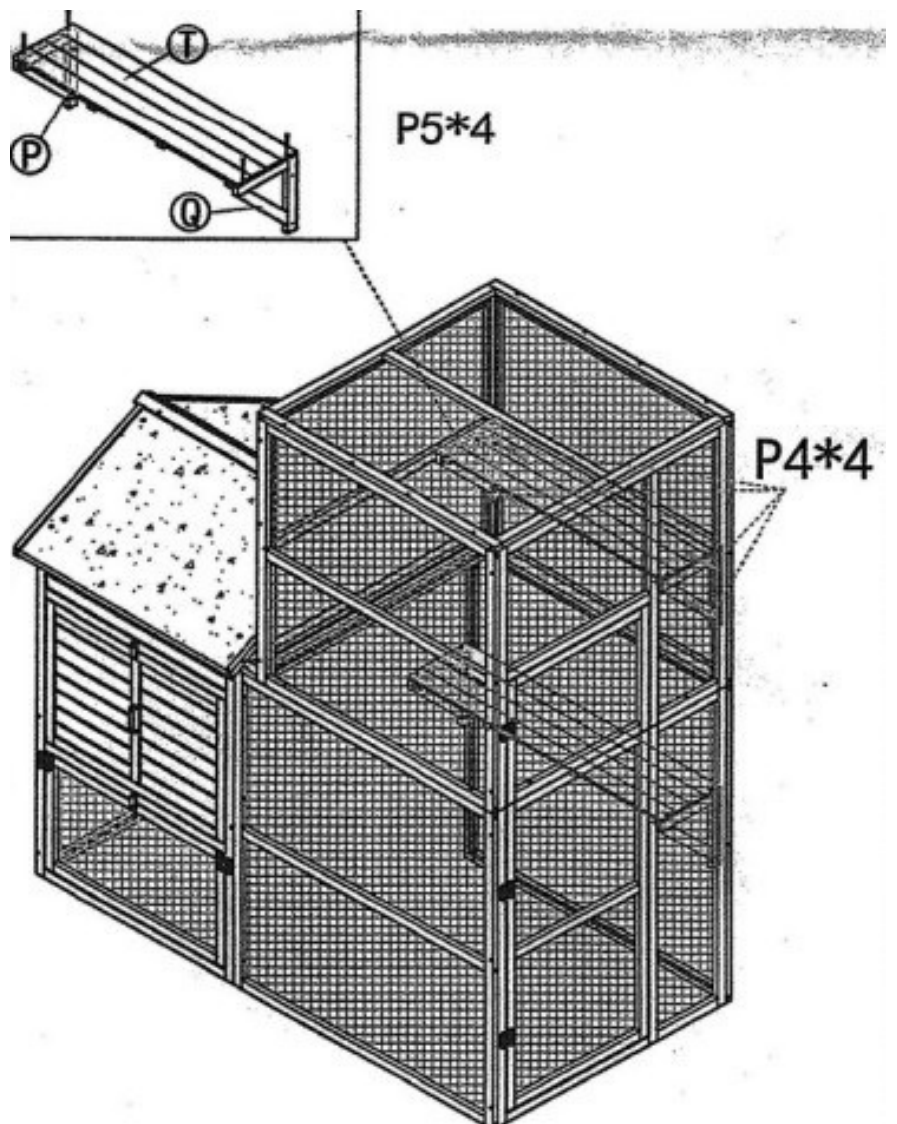
**Screws required for step 11**

P5 x 4, P4 x 4

### Assemble The Shelf

Place brackets P and Q underneath panel T as shown. Locate the pre-drilled holes on panel T and use screws P5 x 4 to attach the brackets to the shelf.

Next, place the assembled shelf inside the run, above the other shelf as shown. Locate the pre-drilled holes on the brackets and use screws P4 x 4 to attach to the solid timber of the run panel.



## How to Assemble the Stacey Step FINISH

### PARTS

Parts required for step FINISH

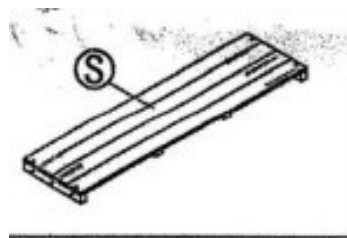
S

Screws required for step FINISH

P4 x 6

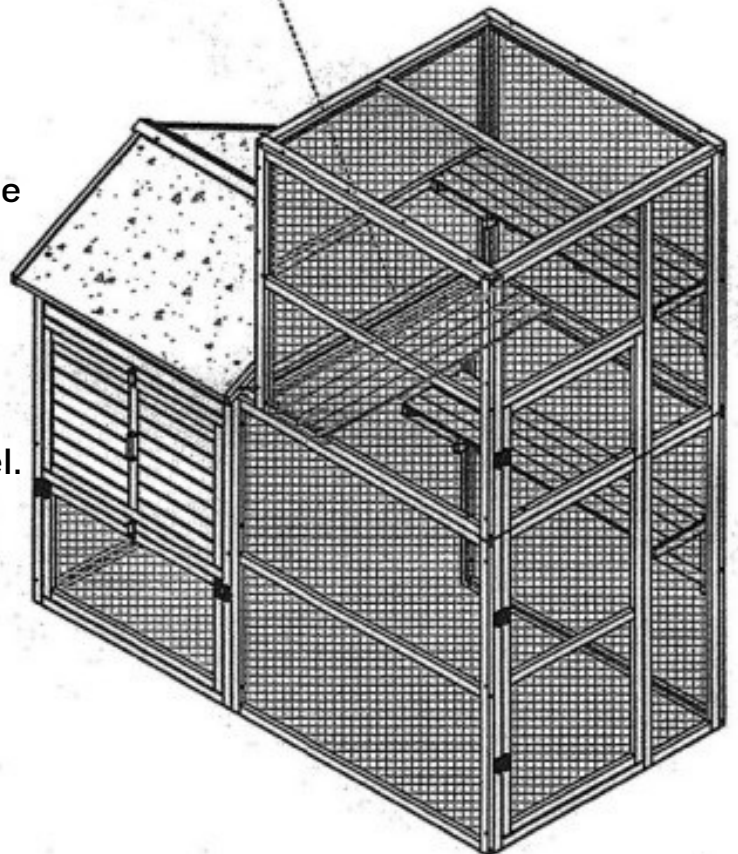
### Assemble The Shelf

Place brackets P and Q underneath panel T as shown. Locate the pre-drilled holes on panel T and use screws P5 x 4 to attach the brackets to the shelf.



P4\*6

Next, place the assembled shelf inside the run, above the other shelf as shown. Locate the pre-drilled holes on the brackets and use screws P4 x 4 to attach to the solid timber of the run panel.



FINISH

## Product Dimensions



- External dimensions: L198cm x W111cm x H220cm
- Ground dimensions (footprint): L194cm x W100cm
- House section only: H153cm
- 3 shelves for cats to play and sleep on outside
- Large walk in door H164cm x W60cm



## FAQ

Frequently asked questions

### Contact Information

Phone: 02 4340 4200

Email: [info@somerzby.com.au](mailto:info@somerzby.com.au)

### Customer Service Office Hours

Monday – Thursday: 9:00am – 4:30pm

Friday: 9:00am – 4:00pm

Saturday & Sunday: Closed

Public holidays: Closed

[www.somerzby.com.au](http://www.somerzby.com.au)

**#somerzby**

