

VILLA HUTCH

ASSEMBLY GUIDE



Welcome!

Congratulations on becoming an owner of a premium Somerzby product! We hope it brings you and your pet/s many years of enjoyment and contentment.

When your flat pack arrives, please check all items for any damage that might have occurred in transit.



02 4340 4200

info@somerby.com.au

What you will need







You'll need a battery-powered screwdriver or drill with a Phillips head bit, as well as a flat, level surface to ensure proper alignment of all doors during assembly.









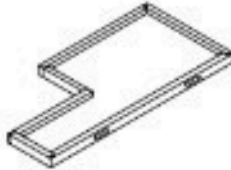

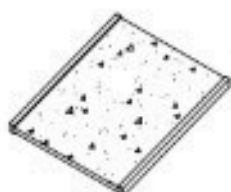
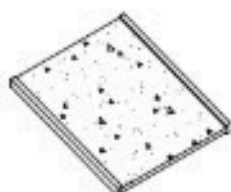

Important Things To Note



- The instructions and screws can be found in carton #1.
- A strong smell may be present when opening. This is the natural timber scent and is not harmful to humans or animals. It will fade over time, especially when placed outdoors.
- When joining two panels, the 1st panel has a guide hole to show where the screw goes. The 2nd panel does not have a predrilled hole. The screw goes directly into the solid timber and forms a tighter join.
- You may notice a shiny or powdery residue on the panels; this is crystallised sap from the natural wood-drying process. It's completely safe for pets and people and can be wiped off or left as is.

Check list

P1	 3.5 × 40mm	16pcs+1 spare	P2	 3.5 × 35mm	8pcs+1 spare
P3	 3.5 × 25mm	4pcs+1 spare	P4	 3 × 14mm	4pcs+1 spare

			
(A) X1	(B) X1	(C) X1	
			
(D) X1	(E) X1	(F) X1	(G) X1
			
(H) X1	(I) X1	(J) X1	
			
(K) X1	(L) X1	(M) X1	

How to Assemble the Villa Step 1

PARTS

Parts required for step 1

A, B, C, D

Screws:

P1 x 8

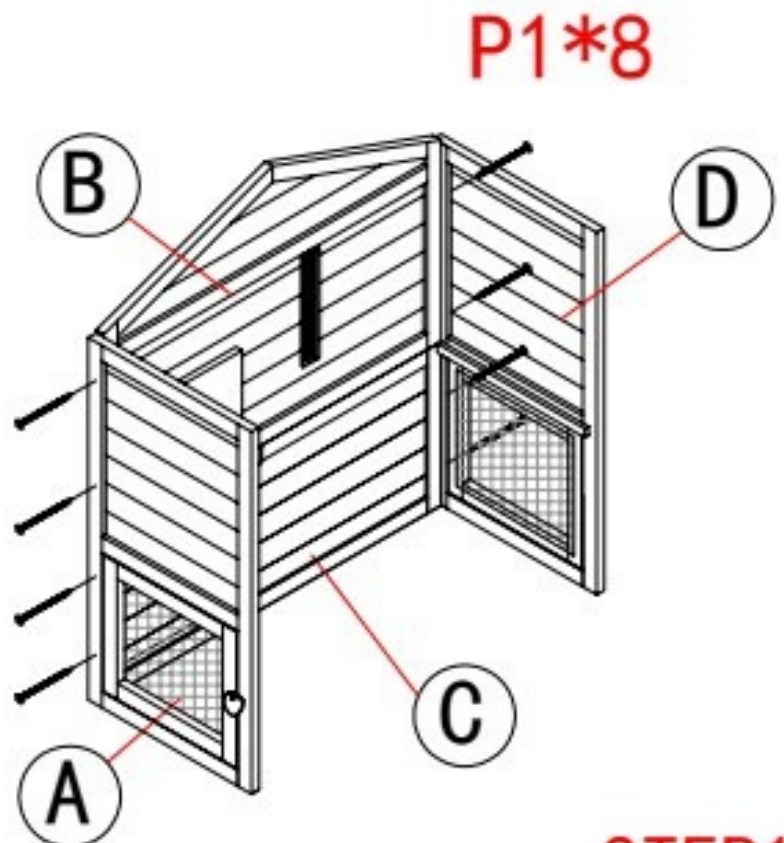
Attach A to B and C

Place panel B on top of panel C as shown. Locate the pre-drilled holes on panel A and align with panel B and C. Ensure the stapled wire side faces in. Attach with P1 x 4.

Attach D to C and B

Locate the pre-drilled holes on panel D. Align with back panel B & C.

Attach with P1 x 4.



STEP 1

How to Assemble the Villa Step 2

PARTS

Parts required for step 2
E, F, G

Screws:
P1 x 4, P4 x 4

Attach The Ramp

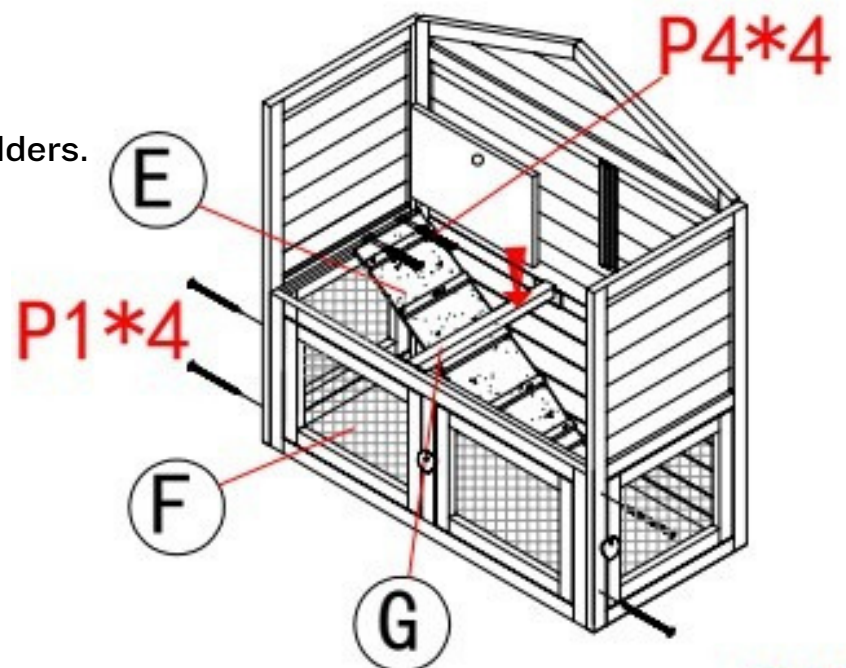
Place ramp panel E as shown. Use screws P4 x 4 to attach to the side of the rail beam.

Attach Panel F

Align part F between the two sides. Use screws P1 x 4 to attach through the pre-drilled holes..

Place The Support Beam

Place part G in the U-shaped holders.



STEP2

How to Assemble the Villa Step 3

PARTS

Parts required for step 3

H, I

Screws:

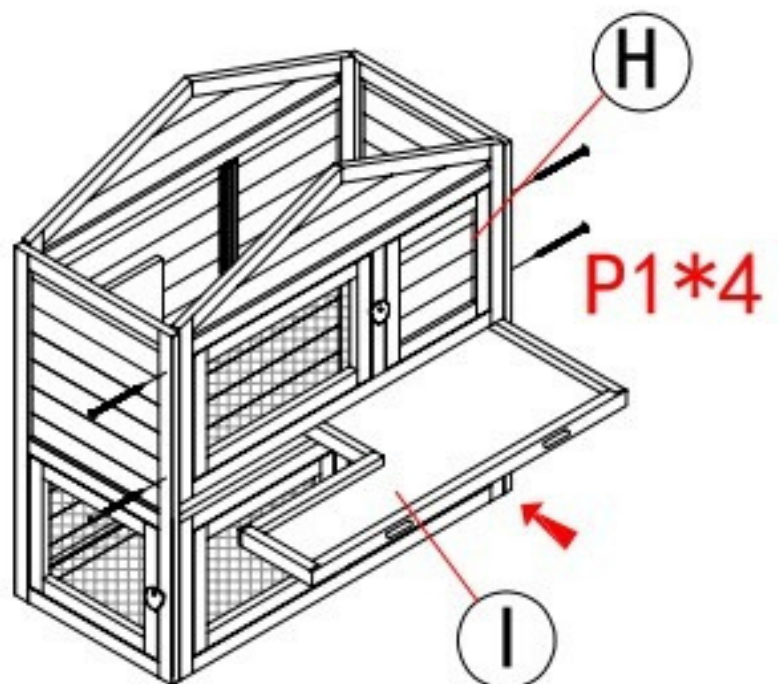
P1 x 4

Attach Panel H

Align part H between the two sides, making sure the edge aligns evenly with the top of the sides. Use screws P1 x 4 to attach.

Place In The Pull Out Tray

Slide panel I through the opening slot, ensuring it rests on top of the side guide rails and the handles are facing out.



STEP3

How to Assemble the Villa Step 4

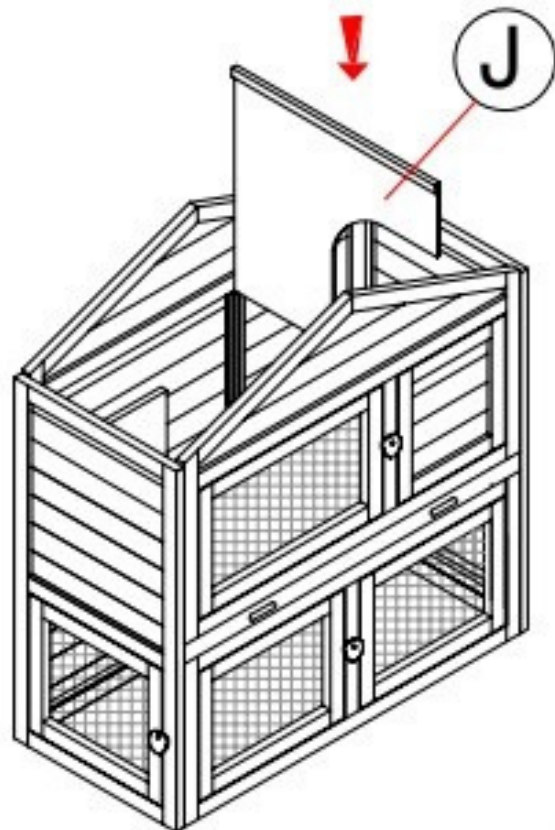
PARTS

Parts required for step 4

J

Place In The Divider

Slide panel J in the vertical guide rails as shown.



STEP4

How to Assemble the Villa Step 5

PARTS

Parts required for step 4

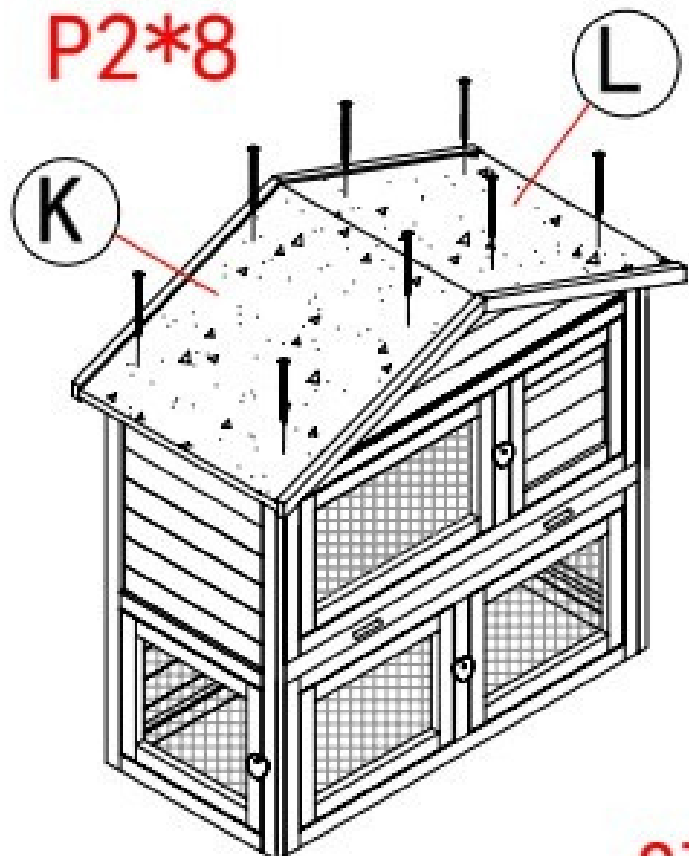
K, L

Screws:

P2 x 8

Attach The Roof

Align roof panels K and L over the house. Ensure the asphalt-wrapped edge faces out. Use screws P2 x 8 to attach through the pre-drilled holes.



STEP5

How to Assemble the Villa Step FINISH

PARTS

Parts required for step 4

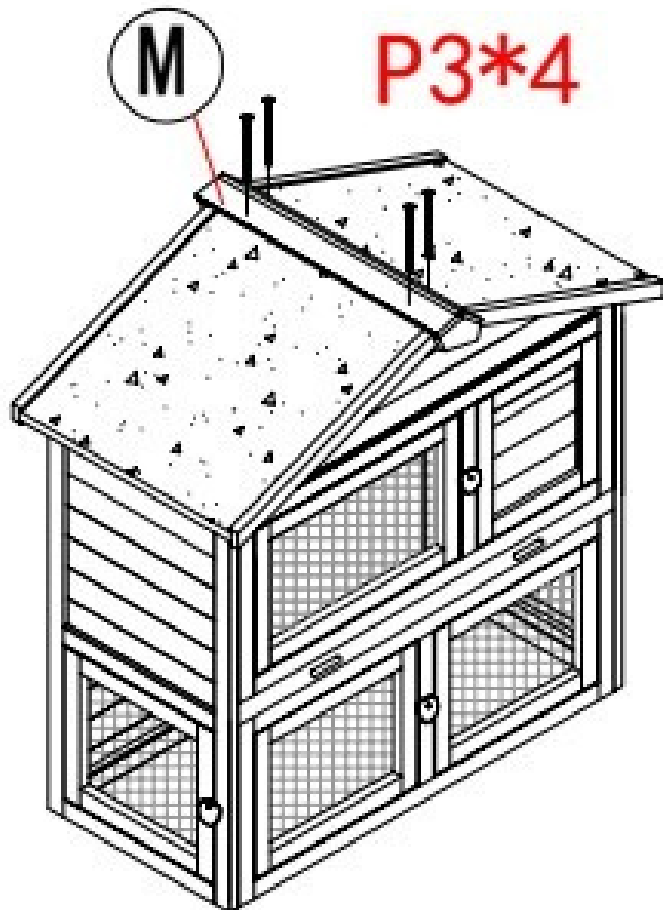
M

Screws:

P3 x 4

Attach The Roof Cap

Align part M over the roof panel joins. Use screws P3 x 4 to attach.



FINISH

Product Dimensions





FAQ

Frequently asked questions

Contact Information

Phone: 02 4340 4200

Email: info@somerzby.com.au

Customer Service Office Hours

Monday – Thursday: 9:00am – 4:30pm

Friday: 9:00am – 4:00pm

Saturday & Sunday: Closed

Public holidays: Closed

www.somerzby.com.au

#somerzby

