

BUNGALOW

ASSEMBLY GUIDE



Welcome!

Congratulations on becoming an owner of a premium Somerzby product! We hope it brings you and your pet/s many years of enjoyment and contentment.

When your flat pack arrives, please check all items for any damage that might have occurred in transit.



02 4340 4200

info@somerby.com.au

What you will need



You'll need a battery-powered screwdriver or drill with a Phillips head bit, as well as a flat, level surface to ensure proper alignment of all doors during assembly.

Important Things To Note



1. The instructions and screws can be found in carton #1.
2. A strong smell may be present when opening. This is the natural timber scent and is not harmful to humans or animals. It will fade over time, especially when placed outdoors.
3. When joining two panels, the 1st panel has a guide hole to show where the screw goes. The 2nd panel does not have a predrilled hole. The screw goes directly into the solid timber and forms a tighter join.
4. You may notice a shiny or powdery residue on the panels; this is crystallised sap from the natural wood-drying process. It's completely safe for pets and people and can be wiped off or left as is.

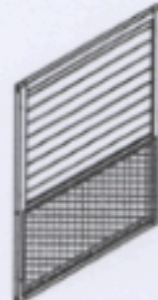
Check list



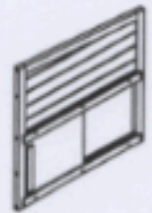
Ⓐ X1



Ⓑ X1



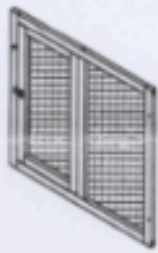
Ⓒ X1



Ⓓ X1



Ⓔ X1



Ⓕ X1



Ⓖ X1



Ⓗ X1



Ⓘ X1



Ⓙ X1



Ⓚ X1



Ⓛ X1



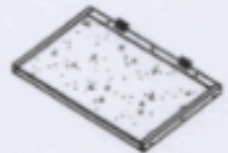
Ⓜ X1



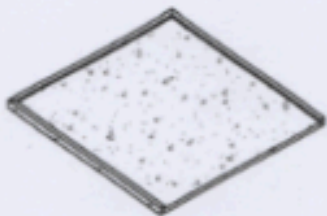
Ⓝ X1



Ⓞ X2



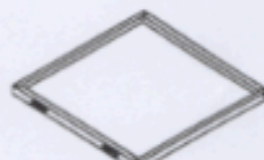
Ⓟ X1



Ⓠ X1










Ⓡ X1



Ⓢ X1

Check list- Continued

P1	 3.5 X 60mm	4pcs+1 spare
P2	 3.5 X 40mm	18pcs+1 spare
P3	 3.5 X 35	3pcs+1 spare
P4	 3.5 X 25mm	17pcs+1 spare
P5	 3 X 16mm	41pcs+1 spare
P6	 350mm	1pc
P7		3pcs

How to Assemble the Bungalow Step 1

PARTS

Parts required for step 1

A, B, C, D

Screws required for step 1

P2 x 10

Assemble The Housing Area-

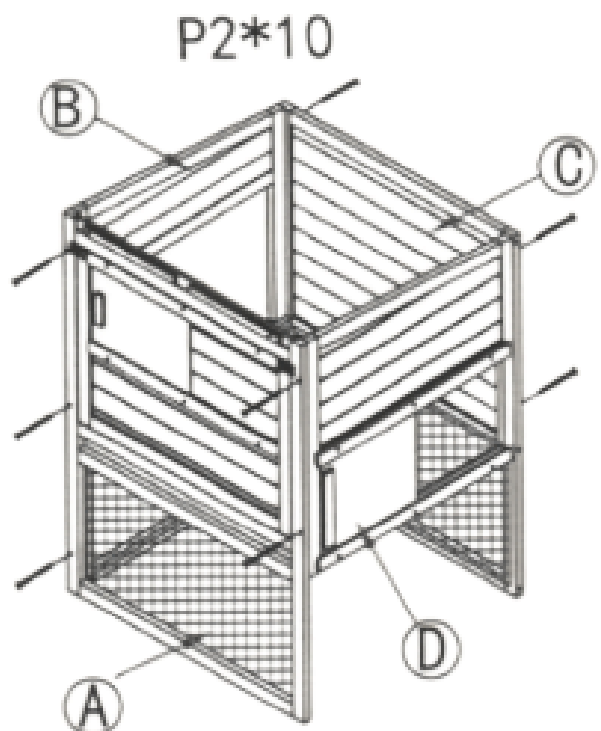
Attach Panel C to B: Align panel C with panel B, ensuring the stapled side of the wire is on the inside. Locate the pre-drilled holes on panel C. Use screws P2 x 3 to attach panel C to B

Attach Panel A to B: Align panel A to B as shown. Locate the pre-drilled holes on panel A the same as on panel C. Use screws P2 x 3 to attach Panel A to B.

Attach Panel D to C and A:

Using the guide dowels, align panel D between panels A and C. The sliding door needs to be on the outside, there is a wooden rail that needs to face inside for Step 2.

Locate the pre-drilled holes on panels A and C. Use P2 x 4 to attach.



How to Assemble the Bungalow Step 2

PARTS

Parts required for step 2

E, S, P6

Screws required for step 2

P5 x 8

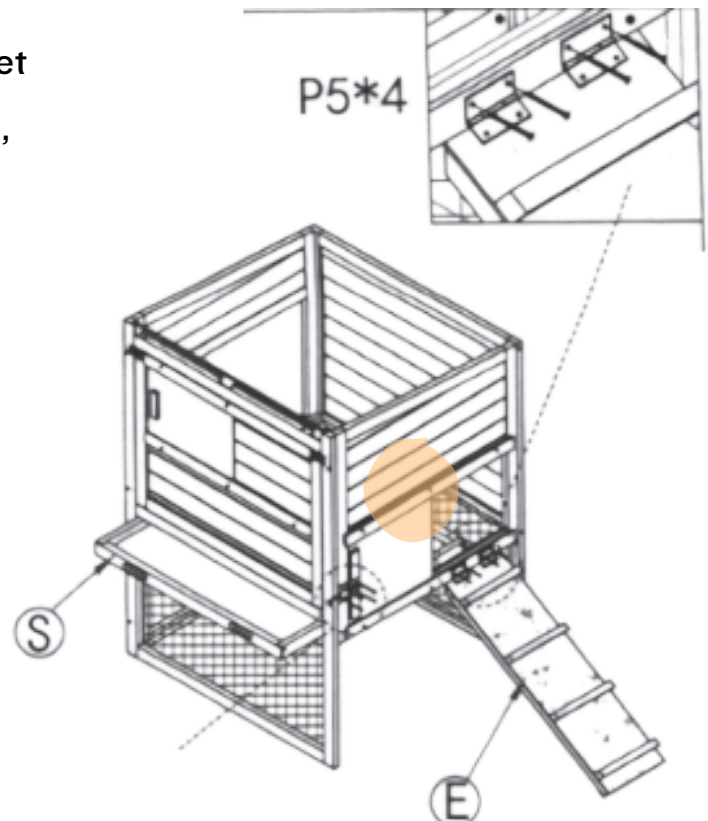
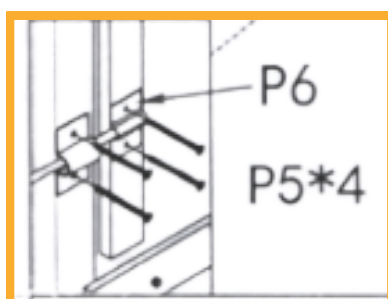


Attach The Ramp: Place the hinges of part E below the door of the house as shown. Use screws P5 x 4 to attach the ramp to the house.

Slide In The Tray: Slide the tray part S in through the front opening, along the inside guide rails that are on panels B and D.

Attach the Handle (Part I): Attach the bracket attached to the small rod (minus the handle), of part P6 halfway up the sliding door as shown, using P5 x 2.

Using the free bracket of P6 secure the rod part to the frame next to the sliding door in line with the other bracket.



How to Assemble the Bungalow Step 3

PARTS

Parts required for step 3

F, G, H, P6

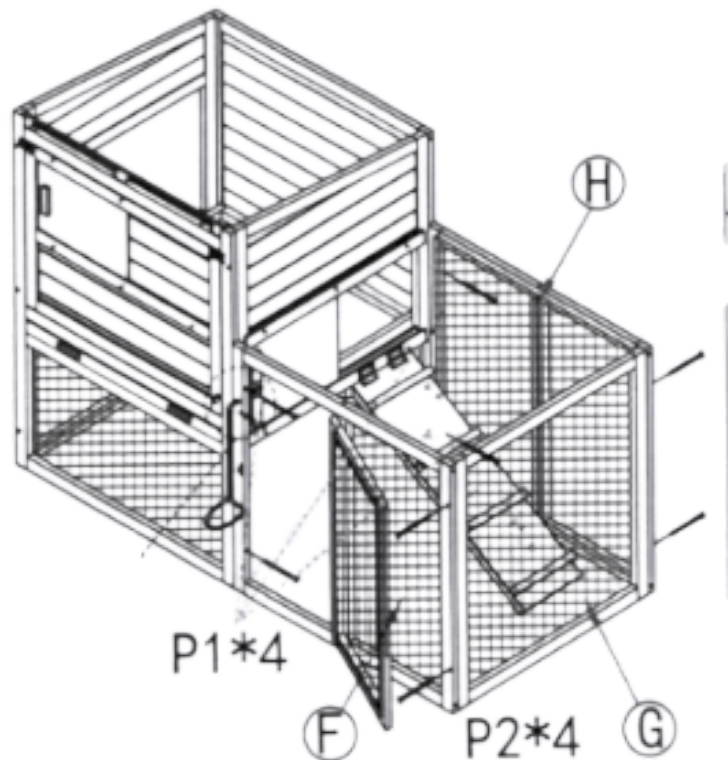
Screws required for step 3

P1 x 4, P2 x 4 & *Shifting Spanner*

Attach The Run: Align panel F next to the front of the house section as shown.

Make sure that P6 can go through the hole on panel F. Make sure the stapled wire side faces in. Open the door and locate the pre-drilled holes along the inner edge. Use Screws P1 x 2 to attach panel F to A.

Next, locate the pre-drilled holes along the inner edge of panel H. Align panel H to the back of the house as shown, with the stapled wire side facing in and the edge with the pre-drilled holes closest to the house. Use screws P1 x 2 to attach to the house next to the ramp.



How to Assemble the Bungalow Step 3 - Continued

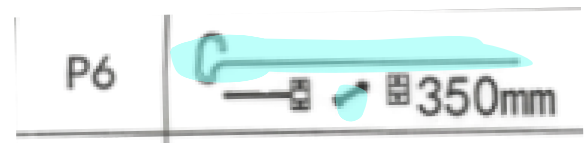
PARTS

Parts required for step 3

F, G, H, P6

Screws required for step 3

P1 x 4, P2 x 4 & *Shifting Spanner*

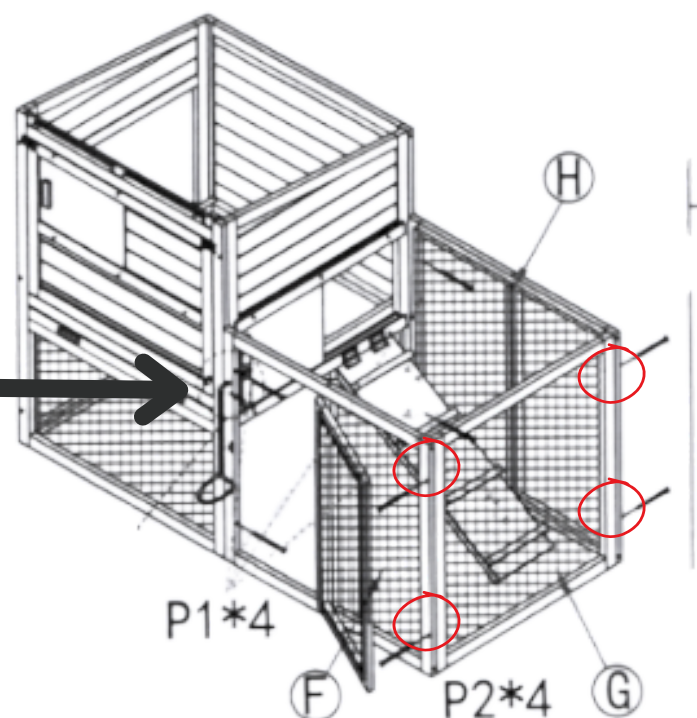
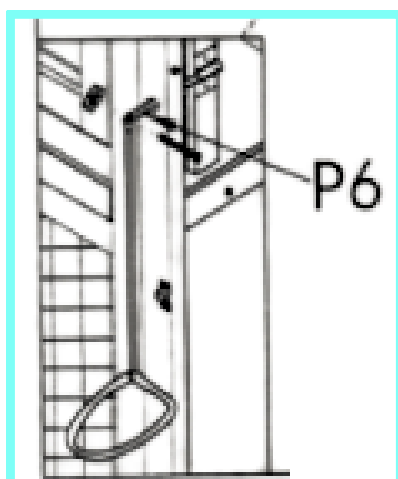


Attach The End Of The Run:

Align panel G between front and back panels F and H, ensuring the stapled wire side faces in. Locate the pre-drilled holes on panels F and H, then use screws P2 x 4 to attach.

Attach the Handle (Part 2):

Align P6, the opposite end of the handle with a hole, in between the end of the sliding door part of P6 we attached in Step 2. Put the P6 bolt through the holes on both parts. With a shifting spanner, hold the nylon nut and screw the bolt through the nut with a drill, to attach both handle parts of P6 together.



How to Assemble the Bungalow Step 4

PARTS

Parts required for step 4

I, J, K, L

Screws required for step 4

P4 x 17, P3 x 3

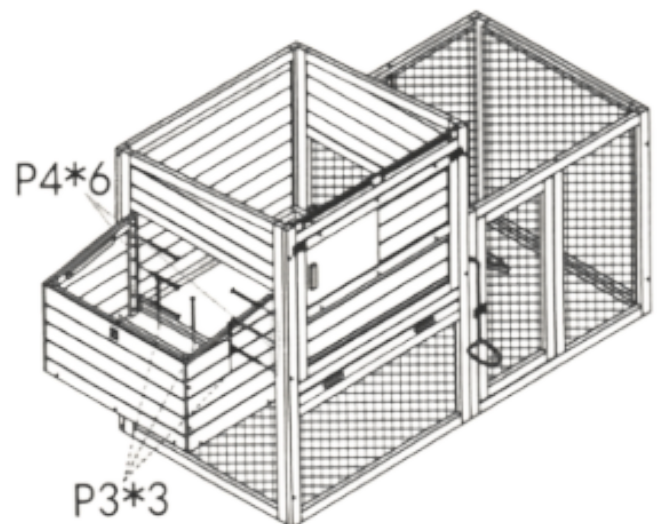
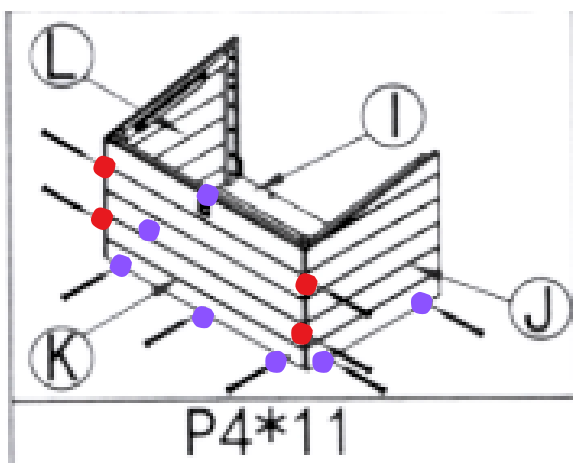
Assemble The Nesting Box: Place part I on a flat surface, align panels K, J and L to form the sides. Ensure the pre-drilled holes on base panel I are located at the open edge and the divider slots of I and K are facing in.

Using the pre-drilled holes, screw panels J and L to K using screws P4 x 4 to form the nest box sides. Use P4 x 7 to attach the side panels to the base panel I.

Attach The Nest Box To The House:

Align the nest box into the opening of the side of the house, ensuring it is flush with the edges.

Using the pre-drilled holes on the nest box, use screws P3 x 3 to attach the base of the box to the house. Use screws P4 x 6 to attach the sides of the nest box to house.



STEP4

How to Assemble the Bungalow Step 5

PARTS

Parts required for step 5

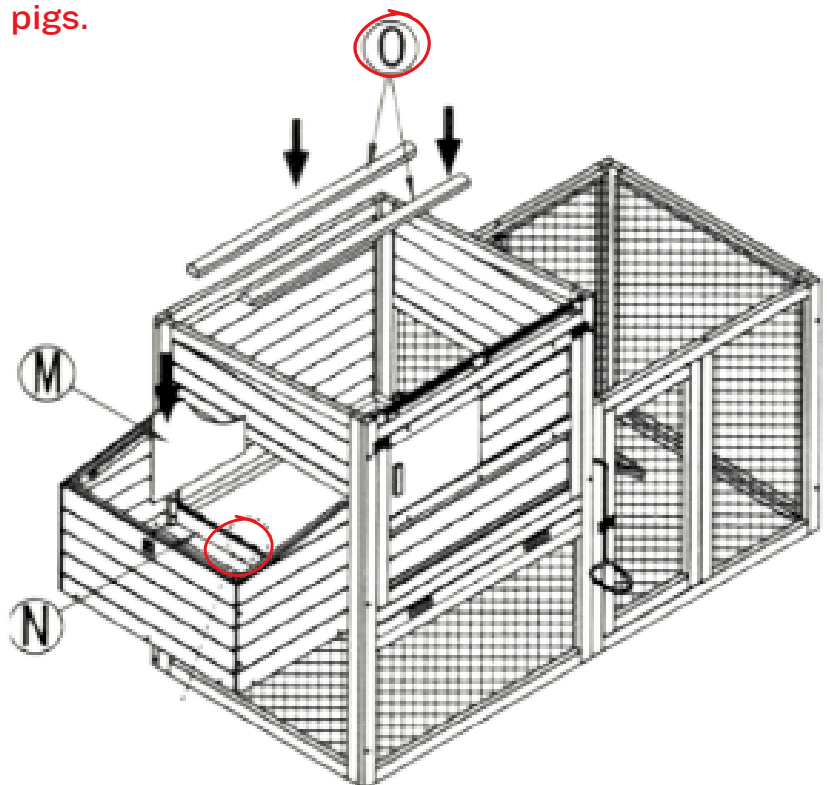
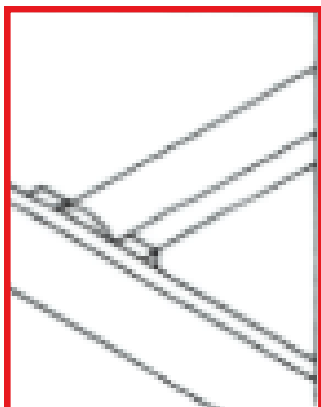
O, M, N

Add The Nest Box Components: Place part N along the inside edge of the nest box, with the roosting pole holders facing towards the house.

Slide part M into the nest box guides as shown. ****This can be left out to create a larger resting area****

Position Roosting Poles: Place 2 x O into 'U' shaped holders inside the house.

Note: If not using to house chickens, these can be left out, or kept in as a safe chew toy for rabbits and guinea pigs.



How to Assemble the Bungalow Step 6

PARTS

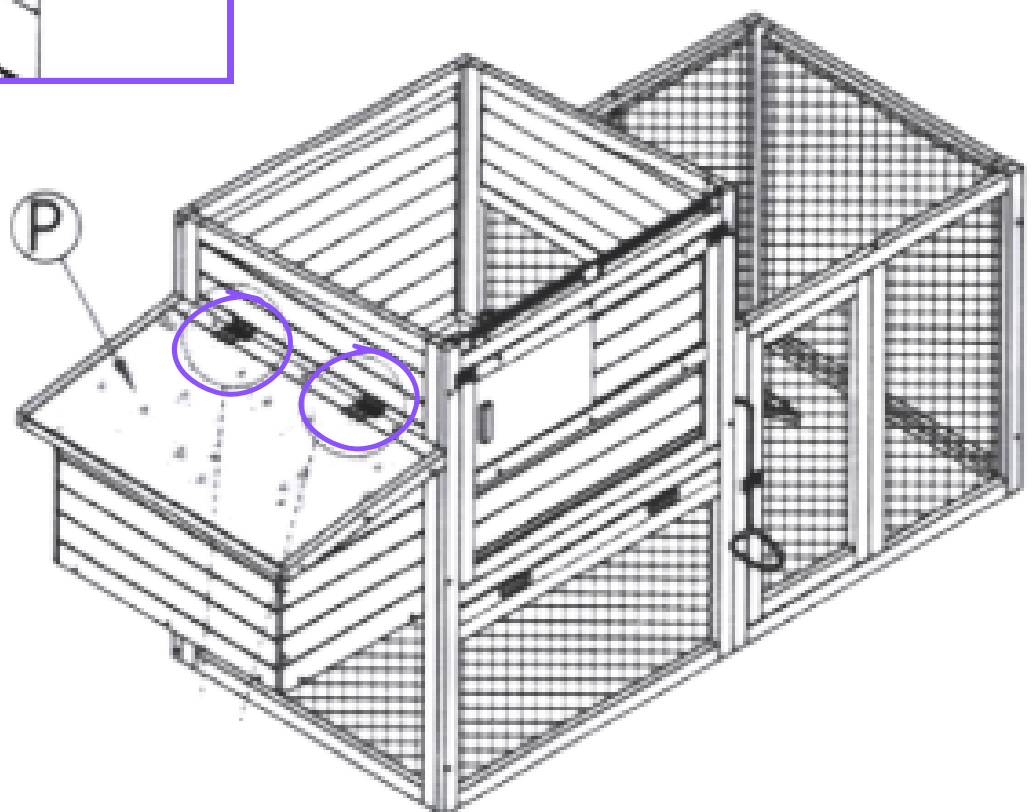
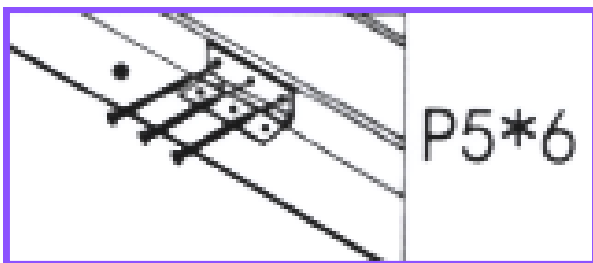
Parts required for step 6

P

Screws required for step 6

P5 x 6

Attach The Lid Of The Nest Box: Place part P evenly on top of the nest box, flush against the house. Use screws P5 x 6 to attach to the house.



How to Assemble the Bungalow Step 7

PARTS

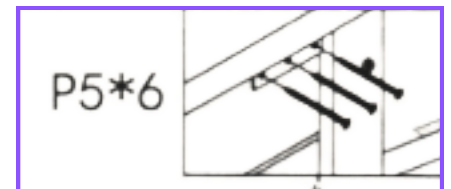
Parts required for step 7

Q, R, P7 x1

Screws required for step 7

P5 x 12, P2 x 4

Attach The Roof Of The House: Place part Q, the roof, evenly over the house section, ensuring the hinges are on the outside against the back panel. Use screws P5 x 6 to secure to the back of the house.

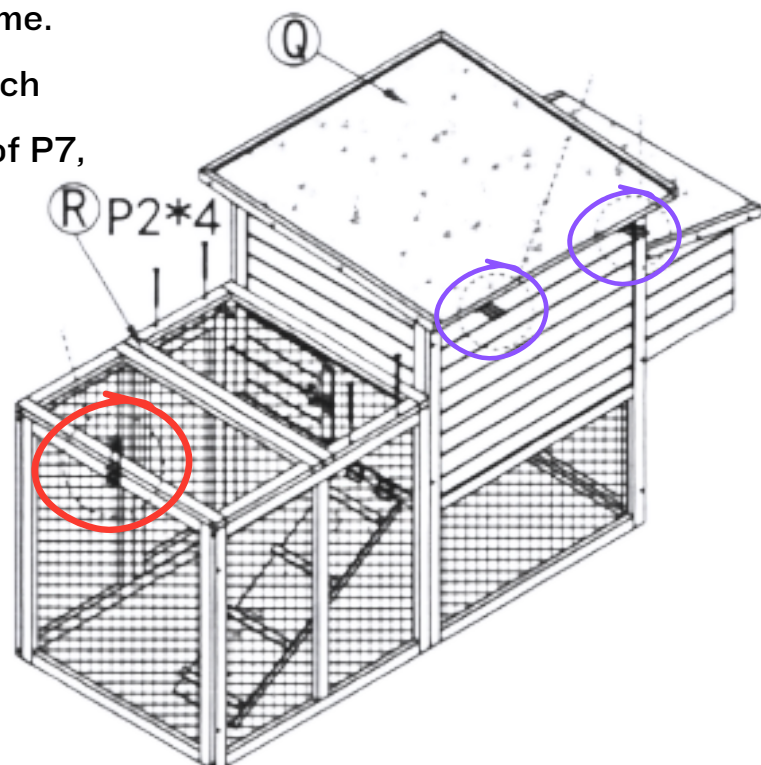
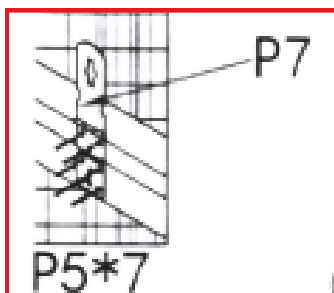


Attach The Top Of The Run: Place panel R on the top of the run area as shown. Ensure the stapled wire side faces down, and the edge with the latch sits furthest from the house. Locate the pre-drilled holes and use screws P2 x 4 to attach.

Attach The Latch: Align the small square P7 part to the end (panel G) of the run halfway across and flat on the wooden frame.

Use screws P5 x 4 to attach the square latch part of P7 to panel G. With the other part of P7, place the square directly above the first part and secure it to panel R with P5 x 3 screws.

Note: Ensure that it aligns with the 1st part of P7



How to Assemble the Bungalow Step 8

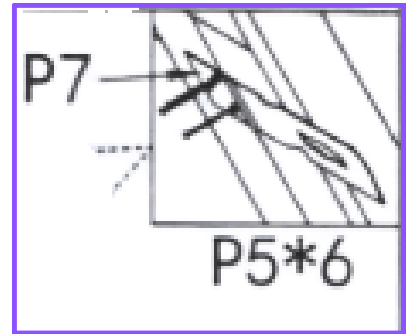
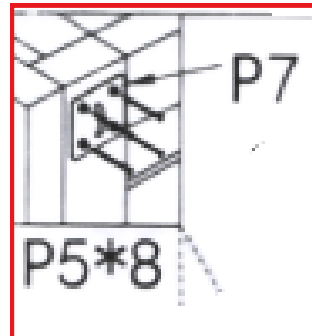
PARTS

Parts required for step 8

P7 x 2

Screws required for step 8

P5 x 14



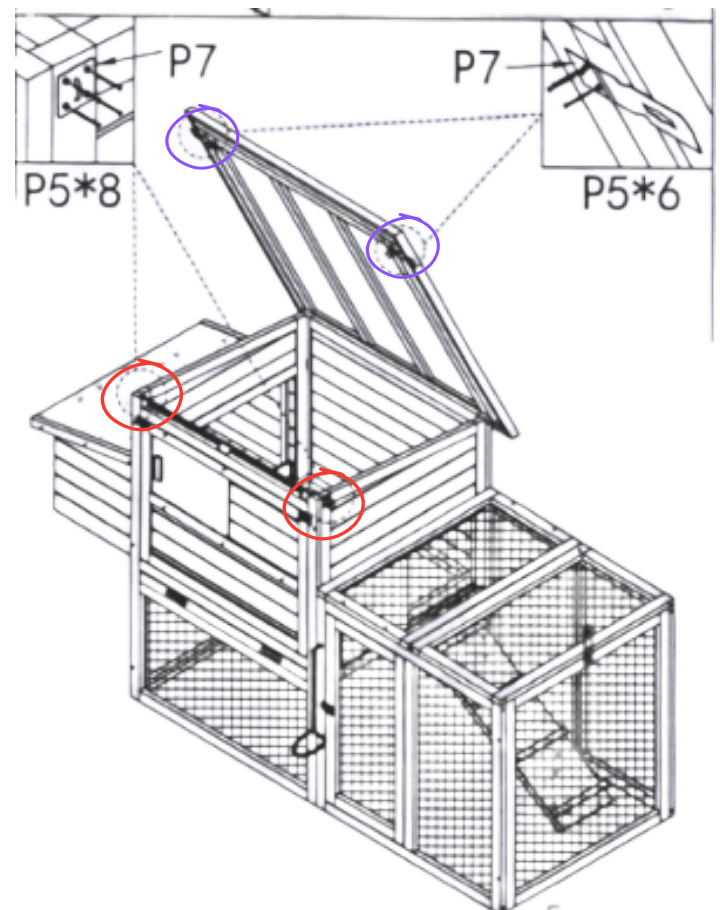
Attach The Latch: Open the roof and align the larger P7 part to have the square section with screw holes flat against the roof, but in line with the vertical black frame on Panel B, where it meets A. Hold the part to the roof and use P5 x 3 screws to secure the larger P7 hinge to the roof. **Repeat on the other side of the roof for panel D.**

Align the small square P7 part to the black frame of the side house panel B.

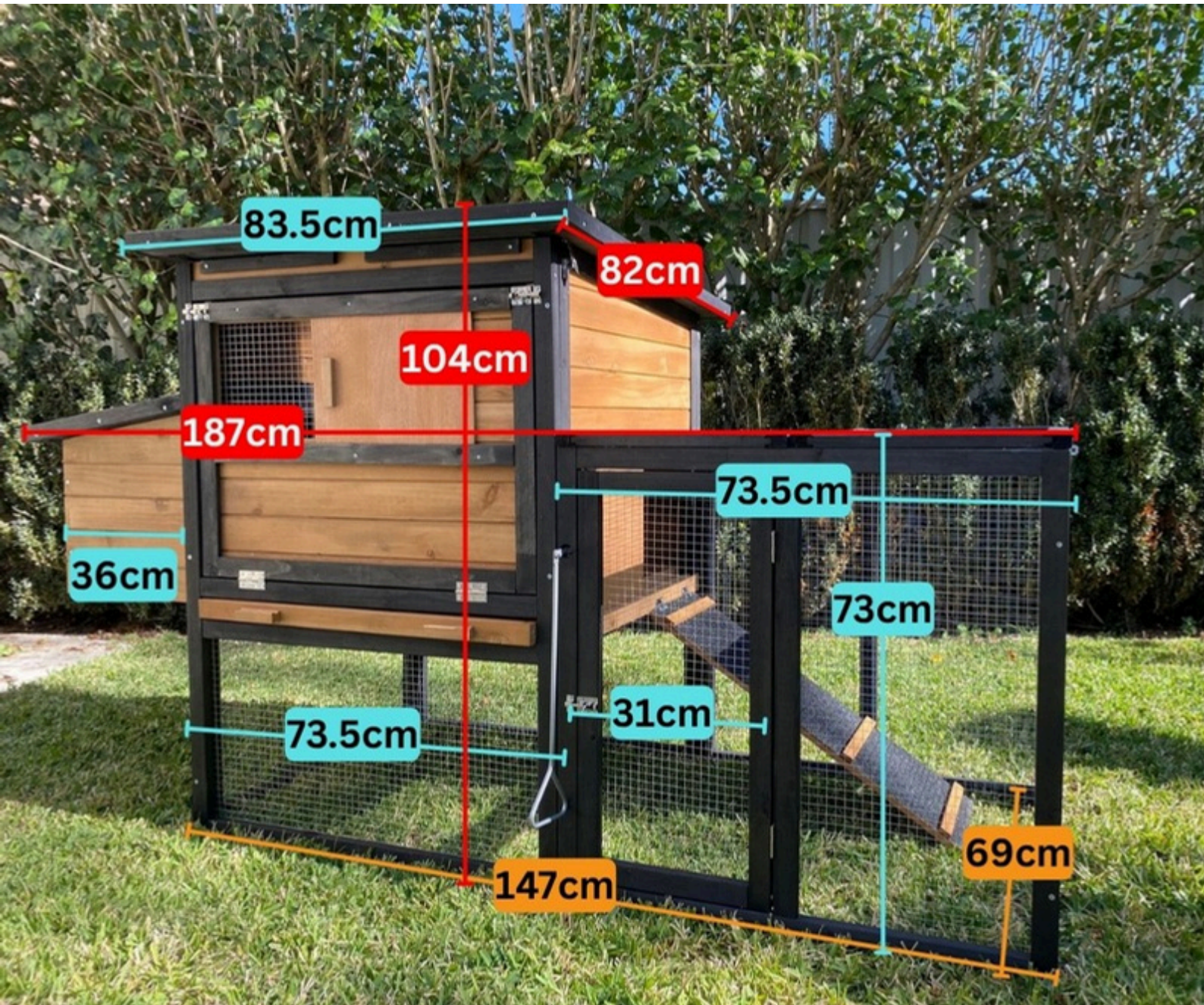
Ensure that it aligns with the larger part of P7 to be able to lock the roof later.

Use screws P5 x 4 to attach to panel B.

Repeat on the other side for panel D.



Product Dimensions





FAQ

Frequently asked questions

Contact Information

Phone: 02 4340 4200

Email: info@somerzby.com.au

Customer Service Office Hours

Monday – Thursday: 9:00am – 4:30pm

Friday: 9:00am – 4:00pm

Saturday & Sunday: Closed

Public holidays: Closed

www.somerzby.com.au

#somerzby

